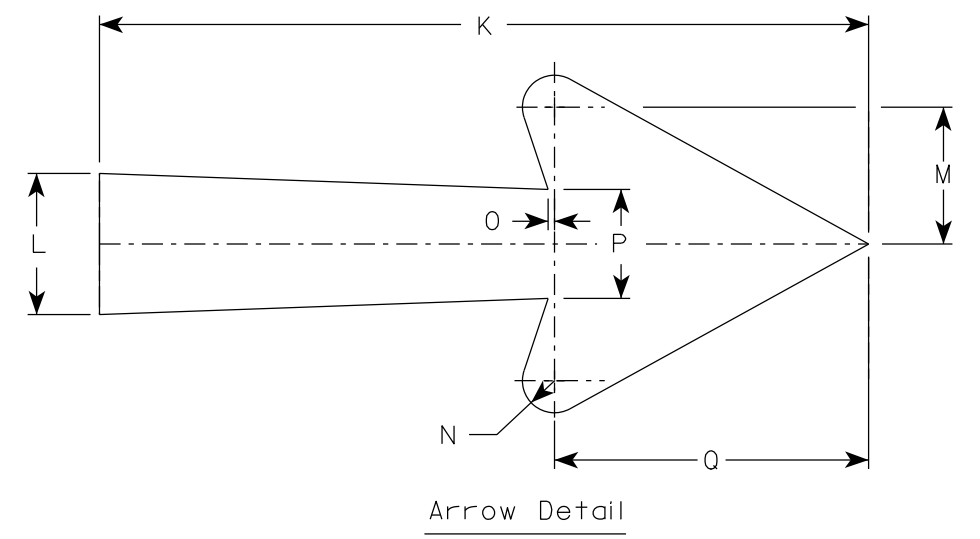
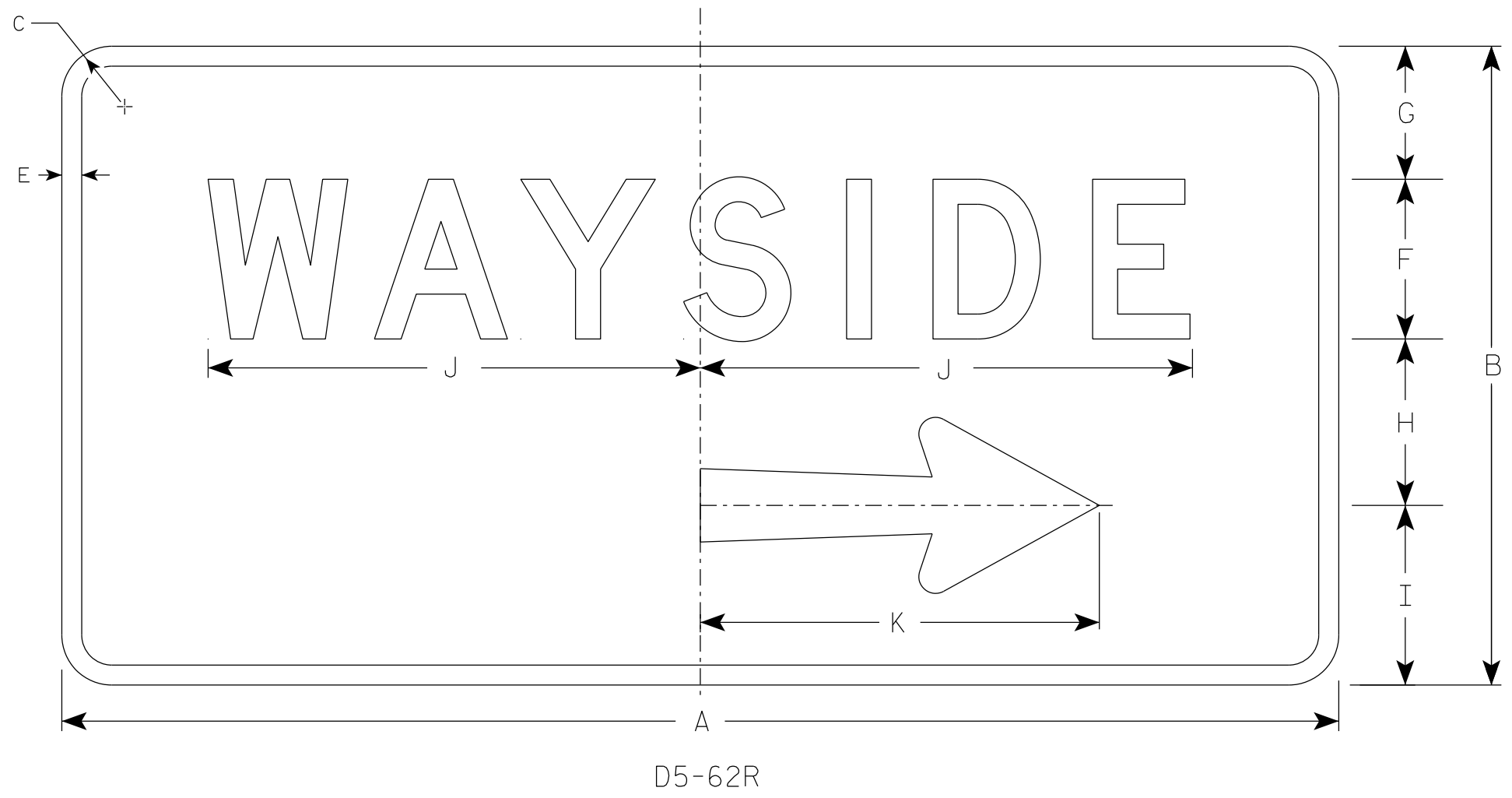


NOTES

1. Sign is Type II - Type H Reflective
2. Color:
Background - Blue
Message - White
3. Message Series - D
4. D5-62L is the same as D5-62R except that the arrow is rotated 180° about the vertical center line.



D5-62R

Arrow Detail

SIZE	A	B	C	D	E	F	G	H	I	J	K	L	M	N	O	P	Q	R	S	T	U	V	W	X	Y	Z	Area sq. ft.
1																											
2S	48	24	1 7/8		3/4	6	4	6 1/4	6 3/4	18 1/2	15	2 3/4	3 1/8	5/8	1/8	2 1/8	6 1/8										8.0
2M	48	24	1 7/8		3/4	6	4	6 1/4	6 3/4	18 1/2	15	2 3/4	3 1/8	5/8	1/8	2 1/8	6 1/8										8.0
3	78	42	3		1	10	8 3/4	11	12 1/4	30 1/8	26 1/4	4 3/4	4 5/8	1 1/8	1/4	3 3/4	10 3/4									22.75	
4	78	42	3		1	10	8 3/4	11	12 1/4	30 1/8	26 1/4	4 3/4	4 5/8	1 1/8	1/4	3 3/4	10 3/4									22.75	
5																											

STANDARD SIGN
D5-62

WISCONSIN DEPT OF TRANSPORTATION

APPROVED *Matthew R Raub*
for State Traffic Engineer

DATE 3/26/2024 PLATE NO. D5-62.13

7

7