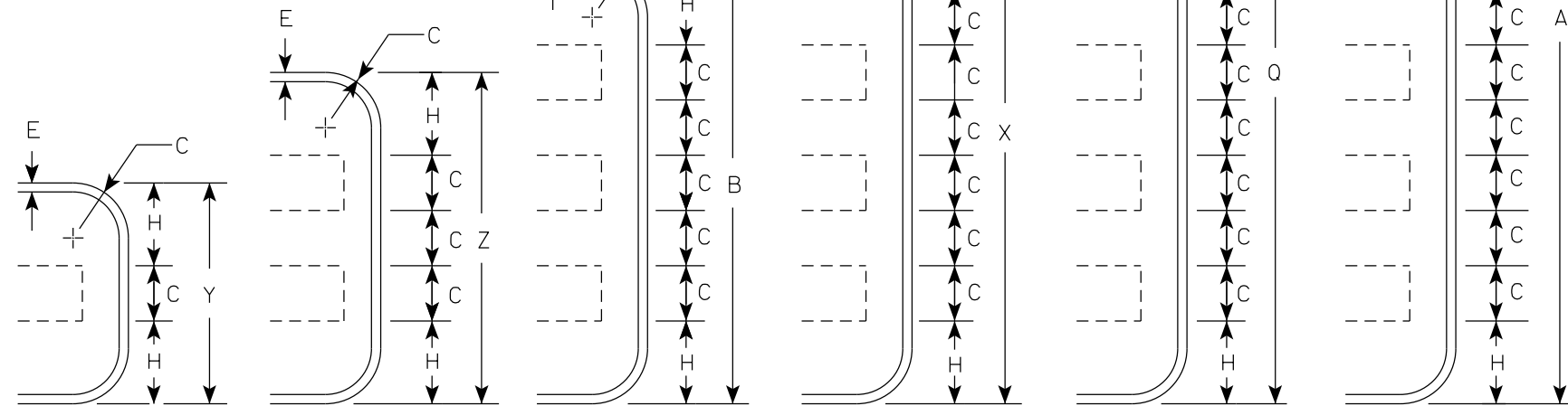


Arrow Detail



D9-51A

D9-51B

D9-51C

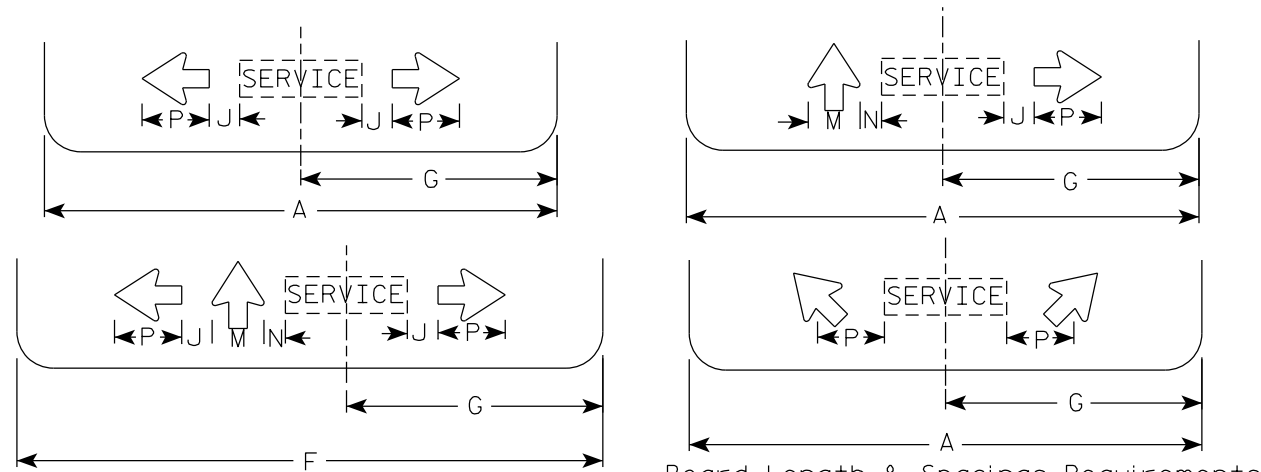
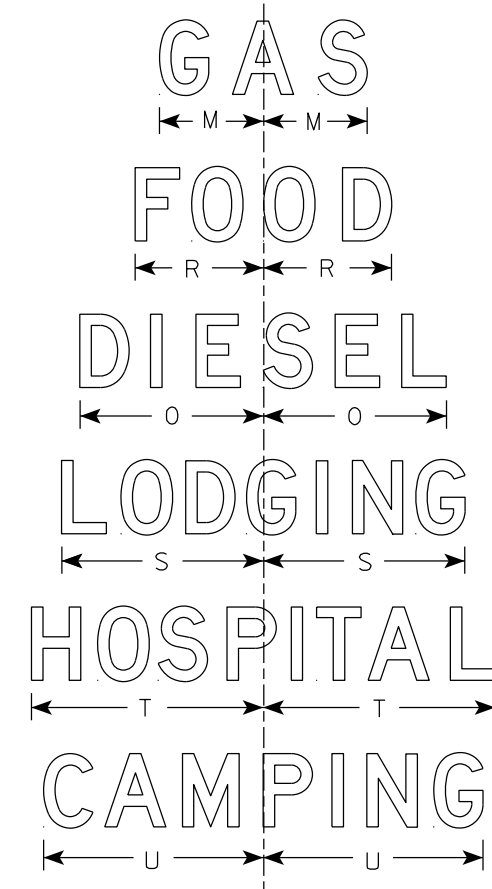
D9-51D

D9-51E

D9-51F

NOTES

1. Sign is Type II - Type H Reflective
2. Color:
Background - Blue
Message - White
3. Message Series - D
4. A display of approved services is provided at the left. On multiline signs the order is as shown top to bottom.



Board Length & Spacings Requirements for Arrow Combinations

SIZE	Area sq. ft.																																						
	D9-51A		D9-51B		D9-51C		D9-51D		D9-51E		D9-51F																												
	A x Y	F x Y	A x Z	F x Z	A x B	F x B	A x X	F x X	A x O	F x O	A x A	F x A																											
1																																							
2	42	24	3		1/2	48	21	4 1/2	1 7/8	2 1/2		3 3/8	4 1/4	1 3/4	7 1/2	5 1/2	36	5 1/4	8 1/4	9 1/2	9	1/4	1 1/2	30	12	18	3.5	4.0	5.25	6.0	7.0	8.0	8.75	10.0	10.5	12.0	12.25	14.0	
3																																							
4																																							
5																																							

STANDARD SIGN
D9-51A THRU D9-51F

WISCONSIN DEPT OF TRANSPORTATION

APPROVED *Matthew R. Rauch*
For State Traffic Engineer

DATE 2/22/2024 PLATE NO. D9-51.7