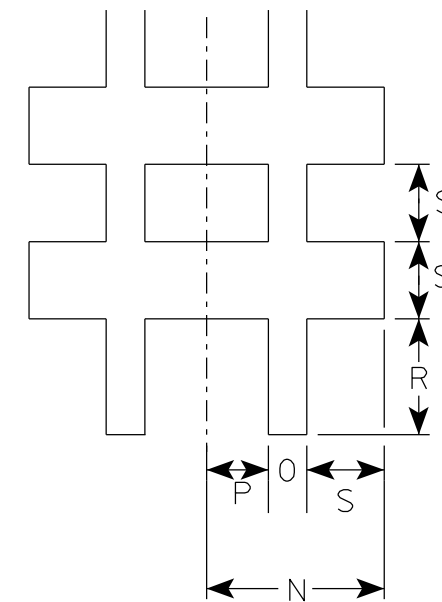


W10-4R

NOTES

1. Sign is Type II - Type F Reflective
2. Color:  
Background - Yellow  
Message - Black
3. W10-4L same as W10-4R except symbol is reversed.



SIZE	A	B	C	D	E	F	G	H	I	J	K	L	M	N	O	P	Q	R	S	T	U	V	W	X	Y	Z	Area sq. ft.
1	30		1 7/8	1/2	5/8	20	14 1/4	5	10	1 3/4	3 3/8	3 3/4	7 1/2	2 7/8	5/8	1		1 7/8	1 1/4								6.25
2S	36		2 1/4	5/8	3/4	24	17	6	12	2	4	4 1/2	9	3 3/8	3/4	1 1/8		2 1/4	1 1/2								9.0
2M	36		2 1/4	5/8	3/4	24	17	6	12	2	4	4 1/2	9	3 3/8	3/4	1 1/8		2 1/4	1 1/2								9.0
3	36		2 1/4	5/8	3/4	24	17	6	12	2	4	4 1/2	9	3 3/8	3/4	1 1/8		2 1/4	1 1/2								9.0
4	48		3	3/4	1	32	22 5/8	8	16	2 5/8	5 3/8	6	12	4 1/2	1	1 1/2		3	2								16.0
5																											

STANDARD SIGN  
W10-4

WISCONSIN DEPT OF TRANSPORTATION

APPROVED *Matthew R Rauch*  
For State Traffic Engineer

DATE 11/13/2023 PLATE NO. W10-4.10

PROJECT NO:

SHEET NO:

**E**