



Wisconsin Department of Transportation

May 3, 2018

Division of Transportation Systems Development

Bureau of Project Development
4822 Madison Yards Way, 4th Floor South
Madison, WI 53705

Telephone: (608) 266-1631
Facsimile (FAX): (608) 266-8459

NOTICE TO ALL CONTRACTORS:

Proposal #04: 5198-01-60, WISC 2018 234
Boaz – Richland Center
CTH E to CTH Y
CTH Q
Richland County

Letting of May 8, 2018

This is Addendum No. 01, which provides for the following:

Plan Sheets:

Added Plan Sheets	
Plan Sheet	Plan Sheet Title (brief description of why sheet was added)
61A	Structure B-52-0023
61B	Structure B-52-0026

Plan Sheets

The following 8½ x 11-inch sheets are attached and made part of the plans for this proposal:
Added: 61A and 61B

The responsibility for notifying potential subcontractors and suppliers of these changes remains with the prime contractor.

Sincerely,

Mike Coleman

Proposal Development Specialist
Proposal Management Section

END OF ADDENDUM

STATE PROJECT NUMBER

5198-01-60

NOTES:

SEE STANDARD DETAIL DRAWING 14845 FOR MORE INFORMATION.

THREE BEAM RAIL C-CHANNEL MOUNTING BOLTS ARE $\frac{3}{8}$ " DIAMETER ASTM A307 GUARDRAIL HEAD CHANNEL MOUNTING BOLTS REQUIRE $\frac{3}{8}$ " DIAMETER ASSGA DOUBLE RECESSED (DR) HEAVY HEX BOLTS.

BOLTS, NUTS, AND WASHERS SHALL CONFORM TO STANDARD SPECIFICATION 614.

EXPPOSED TIMBER SURFACES DUE TO FIELD CUTS SHALL BE TREATED WITH WOOD PRESERVATIVES PER STANDARD SPECIFICATION 504.2.3.

OVER TIGHTEN 21" HEAD BOLT TO COMPENSATE FOR FUTURE POST SHRINKAGE.



Aaron B. Palmer
1-29-2018

LIST OF DRAWINGS

1. GENERAL PLAN

NO.	DATE	REVISION	BY
8			

WESTBROOK
619 EAST HOPE STREET
P.O. BOX 429
DAYTON, OHIO 45424
PHONE (937) 588-7289
FAX (937) 588-7954

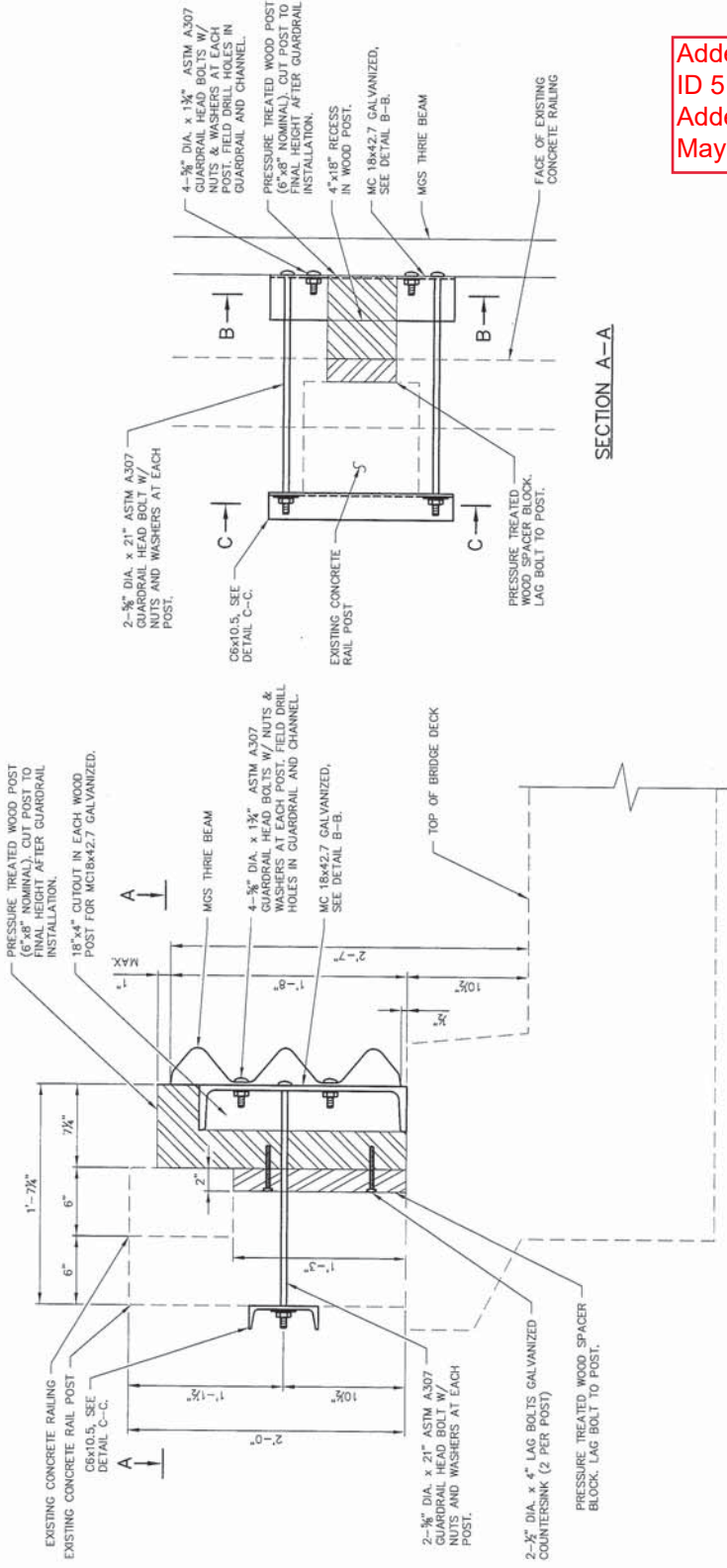
STATE OF WISCONSIN
DEPARTMENT OF TRANSPORTATION
ACCEPTED *William C. DeLeon* 05/02/18
CHIEF STRUCTURES DESIGN ENGINEER DATE

STRUCTURE B-52-23
CTH '0' OVER FOX HOLLOW CREEK

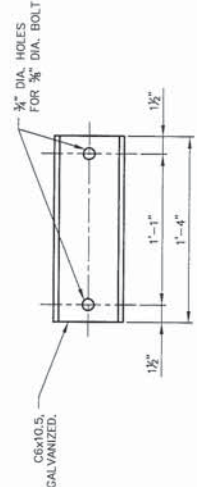
COUNTY: RICHLAND
TOWNSHIP: DAYTON

DESIGNED BY: AARON B. PALMER
CHECKED BY: JAMES L. COOK
BY: JAMES L. COOK
DESIGNED BY: JAMES L. COOK
CHECKED BY: JAMES L. COOK
BY: JAMES L. COOK

GENERAL PLAN
SHEET 1 OF 1
61A



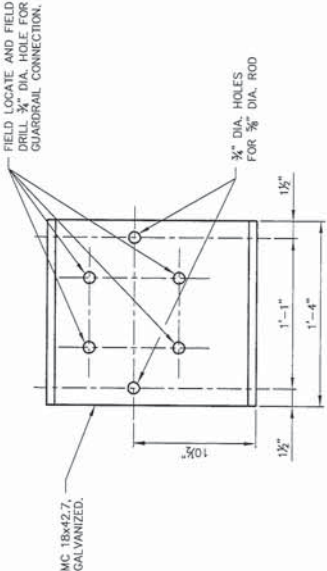
SECTION A-A



SECTION C-C

SECTION THRU RAILING

STA. 131+44 - STA. 131+75, LT & RT (LOCATION 2, B-52-023)



SECTION B-B

Addendum No. 01
ID 5198-01-60
Added Sheet 61A
May 3, 2018

BRIDGE DECK CONTACT
WILLIAM GREER, P.E.
(608) 266-8489

CONSULTANT CONTACT
AARON PALMER, P.E.
(608) 588-7866

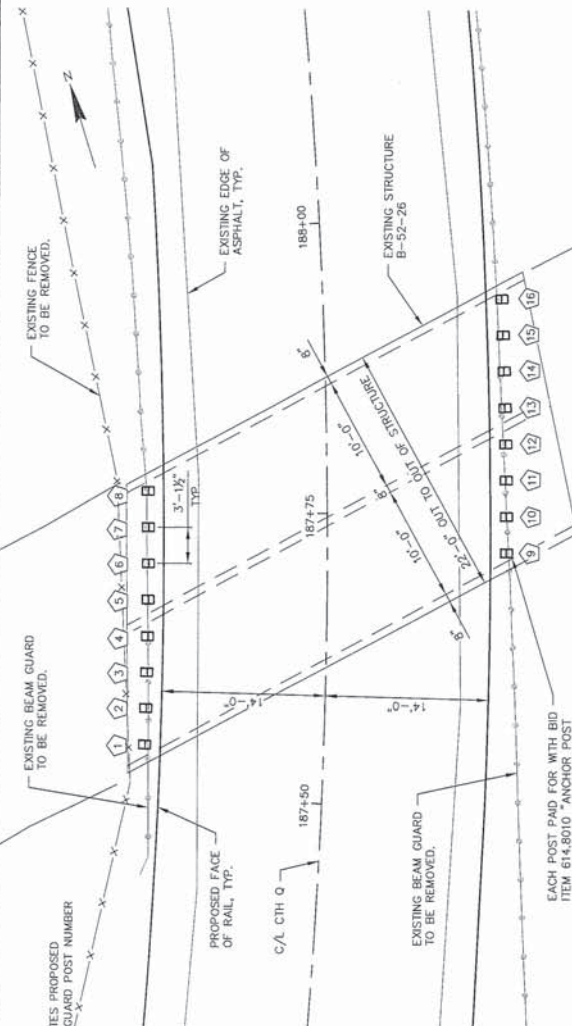
LD 5198-01-60

PLOT DATE: Jan 19, 2018

POST ANCHOR PLATE LAYOUT

POST NO.	STATION	OFFSET
1	1874+54.46	14.85' LT
2	1874+57.68	14.85' LT
3	1874+60.90	14.85' LT
4	1874+64.13	14.85' LT
5	1874+67.35	14.85' LT
6	1874+70.57	14.85' LT
7	1874+73.79	14.85' LT
8	1874+77.02	14.85' LT
9	1874+71.65	14.85' RT
10	1874+74.69	14.85' RT
11	1874+77.72	14.85' RT
12	1874+80.75	14.85' RT
13	1874+83.79	14.85' RT
14	1874+86.82	14.85' RT
15	1874+89.86	14.85' RT
16	1874+92.89	14.85' RT

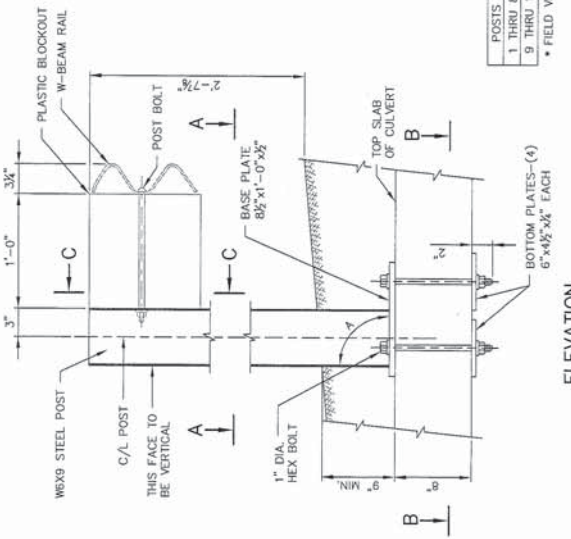
Addendum No. 01
ID 5198-01-60
Added Sheet 61B
May 3, 2018



PLAN B-52-26
EXISTING TWIN CELL BOX CULVERT

EACH POST PAID FOR WITH BID ITEM 614.8010 "ANCHOR POST ASSEMBLIES TOP MOUNTED."

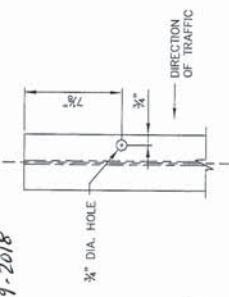
* WELDING IS TO BE COMPLETED USING THE GAS-METAL ARC WELDING (GMAW) PROCESS WITH ER70S-3 WELDING WIRE AND ARGON-OXYGEN OR CO₂ COVER GAS.



ELEVATION

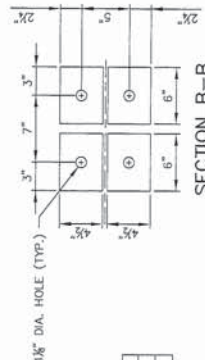
POSTS	"K"
1 THRU 8	89"
9 THRU 16	91"

* FIELD VERIFY ANGLES.

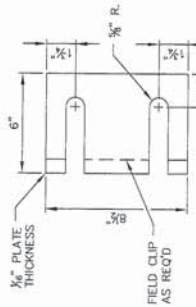


SECTION C-C
HOLE IN POST FLANGE ON APPROACHING TRAFFIC SIDE

SECTION A-A
POST & BASE PLATE



SECTION B-B
(4)-BOTTOM PLATES



STEEL SHIM DETAIL
4 PER POST

LIST OF DRAWINGS

- GENERAL PLAN

BRIDGE OFFICE CONTACT
MICHAEL J. DEWITT, P.E.
(608) 266-8489
CONSULTANT CONTACT
AARON PALMER, P.E.
(608) 588-7866

NO.	DATE	REVISION	BY
8			

WESTBROOK
Associated Engineers, Inc.
619 EAST HOME STREET
P.O. BOX 429
SHAWANO, WI 53088
PHONE (608) 588-7866
FAX (608) 588-7854

STATE OF WISCONSIN
DEPARTMENT OF TRANSPORTATION
ACCEPTED *William C. Decker* 05/02/18
CHIEF STRUCTURES DESIGN ENGINEER DATE

STRUCTURE B-52-26
CTH 'Q' OVER FOX HOLLOW CREEK

COUNTY RICHLAND
TOWN/ASH/PARISH/DAYTON

DESIGNED BY AASHTO LRFD BRIDGE DESIGN SPEC.
CHECKED BY JAP
DESIGNER ACK SHAWI
SCALE LCS
PLANS CTD
DATE ABP

GUARDRAIL POST ANCHORAGE SYSTEM
SHEET 1 OF 1
61B

