



Wisconsin Department of Transportation

April 23, 2018

Division of Transportation Systems Development

Bureau of Project Development
4822 Madison Yards Way, 4th Floor South
Madison, WI 53705

Telephone: (608) 266-1631
Facsimile (FAX): (608) 266-8459

NOTICE TO ALL CONTRACTORS:

Proposal #06: 5953-04-71, WISC 2018 236
C Dodgeville, E Division Street
Iowa Street To Diamond Oaks Drive
STH 191
Iowa County

5953-04-72
C Dodgeville, E Division Street
Iowa Street To Diamond Oaks Drive
STH 191
Iowa County

Letting of May 8, 2018

This is Addendum No. 01, which provides for the following:

Special Provisions:

Revised Special Provisions	
Article No.	Description
6	Utilities

Schedule of Items:

Revised Bid Item Quantities					
Bid Item	Item Description	Unit	Old Quantity	Revised Quantity	Proposal Total
611.2004	Manhole 4-FT Diameter	Each	10	3	13

Added Bid Item Quantities					
Bid Item	Item Description	Unit	Old Quantity	Revised Quantity	Proposal Total
611.0530	Manhole Covers Type J	EACH	0	19	19

Deleted Bid Item Quantities					
Bid Item	Item Description	Unit	Old Quantity	Revised Quantity	Proposal Total
611.0550	Manhole Covers Type M	EACH	19	-19	0
611.2003	Manholes 3-FT Diameter	EACH	3	-3	0

Plan Sheets:

Revised Plan Sheets	
Plan Sheet	Plan Sheet Title (brief description of changes to sheet)
16	Construction Details (fixed label for "Grate Elevation as Shown on Plans" that conflicts with other label for "Grate Elevation as Shown on Storm Sewer Details and Miscellaneous Quantities")
37	Added Label for Manhole #6
79	Updated Miscellaneous Quantities Table for Inlets, Manholes, and Covers to show changes made to bid item quantities and the added and removal of bid items
80	Updated Miscellaneous Quantities Table for Inlets, Manholes, and Covers to show changes made to bid item quantities and the added and removal of bid items

The responsibility for notifying potential subcontractors and suppliers of these changes remains with the prime contractor.

Sincerely,

Mike Coleman

Proposal Development Specialist
Proposal Management Section

ADDENDUM NO.01

5953-04-71

April 23, 2018

Special Provisions

6. Utilities.

*Replace entire section titled **Mount Horeb Telephone Company – Communication Line** with the following:*

MH Telecom, LLC – Communication Line

Division St./ Union St. intersection:

The following will be done by the utility company during construction

- Final rim adjustments to manhole at Sta. 52+68 Lt. The work will take 1 day to complete. Provide 5 days advanced notice prior to paving start date to coordinate rim adjustment.
- Lower conduit package 1.5' below new storm sewer between structures 2.2 and 2.3 after pavement is removed. The adjustment will require breaking the protective concrete cap and excavation 80' alongside and beneath the conduit package running north from existing manhole. This will require an area of 15' feet on either side of the conduit section and extending 100' north along Union Street to be free of construction materials and equipment. The work will take 5 days to complete. Provide 5 days advanced notification prior to the site being ready for duct adjustment.

The construction contact is Kevin Mayne: Phone: (608) 437-6770 or email:

Kevin.Mayne@mhtcinc.com

Schedule of Items

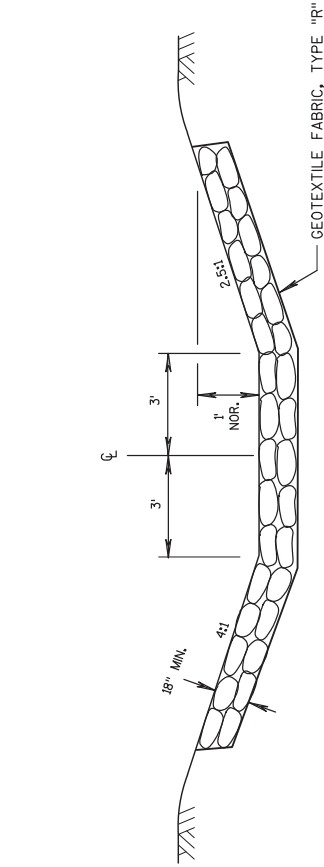
Attached, dated April 23, 2018, are the revised Schedule of Items Pages 1 – 9.

Plan Sheets

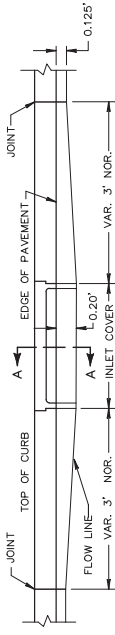
The following 8½ x 11-inch sheets are attached and made part of the plans for this proposal:

Revised: 16, 37, 79 and 80

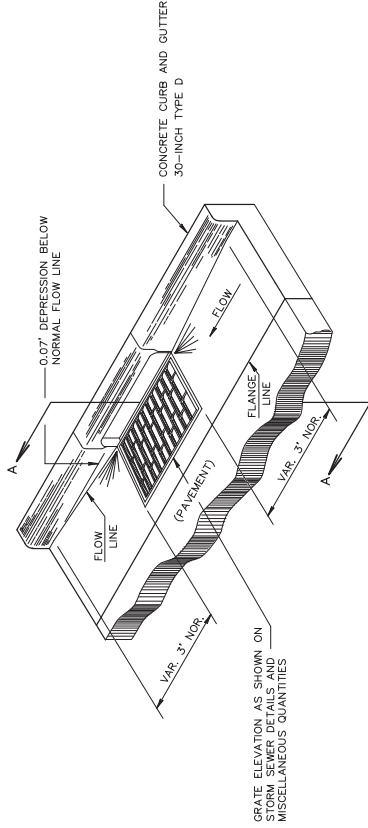
END OF ADDENDUM



DETAIL FOR SPECIAL DITCH WITH RIPRAP MEDIUM AND GEOTEXTILE FABRIC

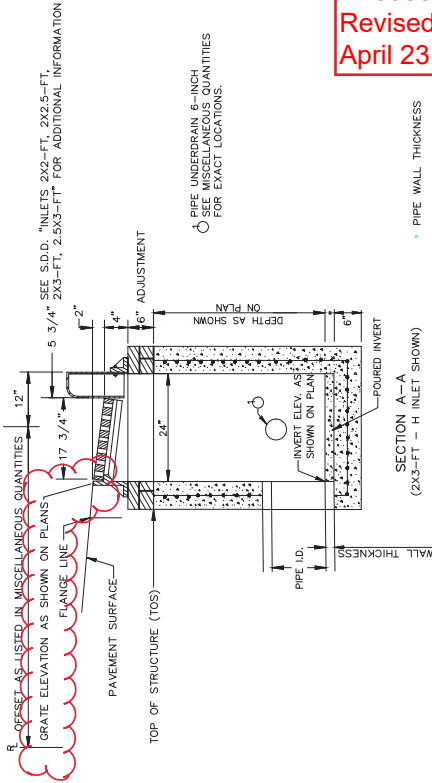


ELEVATION



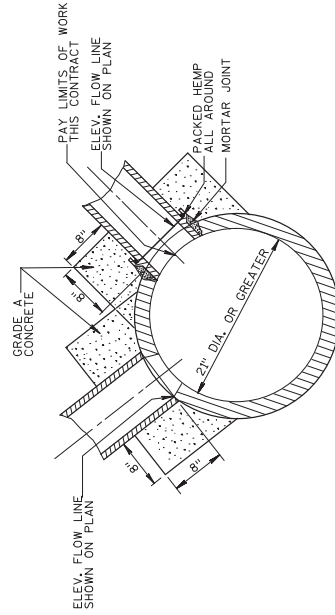
GRATE ELEVATION AS SHOWN ON STORM SEWER DETAILS AND MISCELLANEOUS QUANTITIES

PIPE UNDERDRAIN 6-INCH SEE MISCELLANEOUS QUANTITIES FOR EXACT LOCATIONS.



DETAIL OF CONCRETE CURB AND GUTTER 30-INCH TYPE D AT INLETS

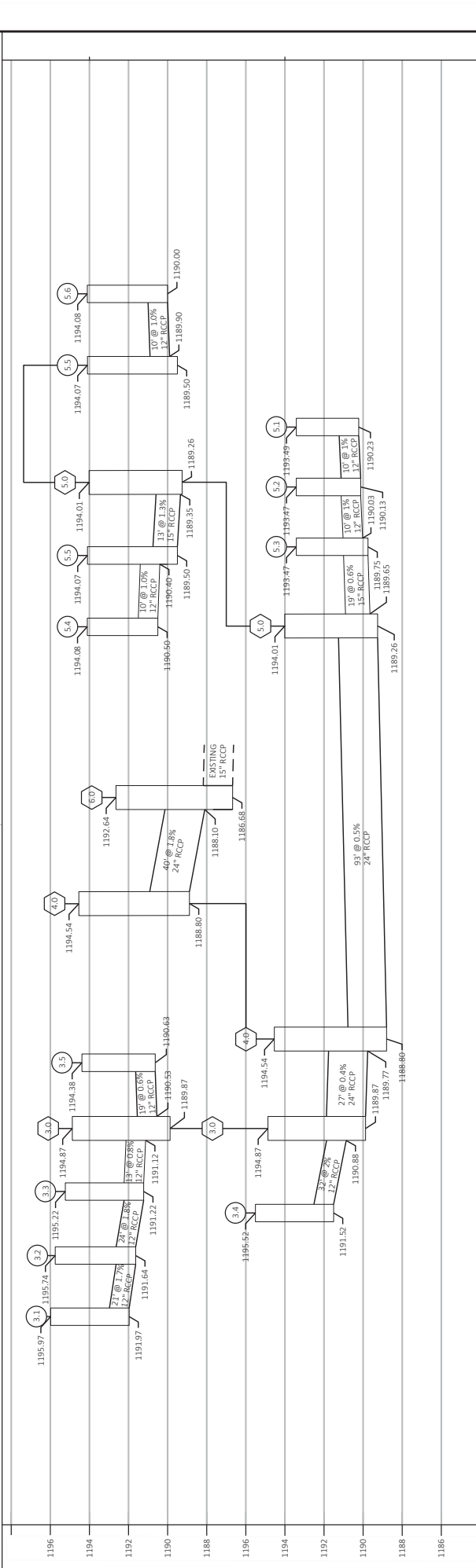
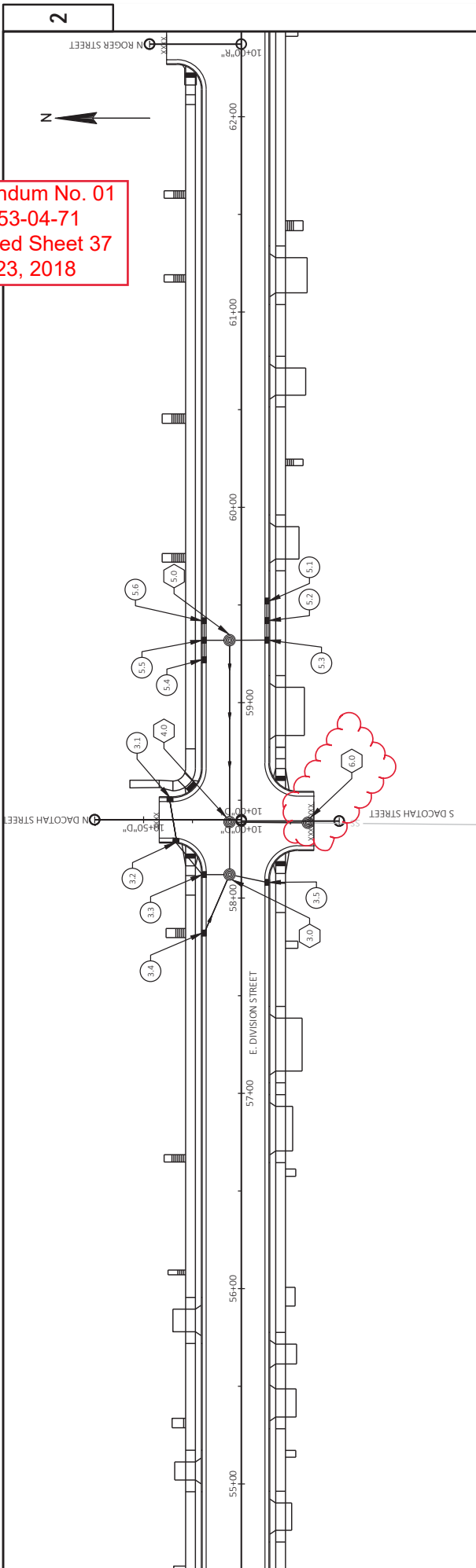
Addendum No. 01
 ID 5953-04-71
 Revised Sheet 16
 April 23, 2018



DETAIL OF CONNECTION TO STORM SEWER

NOTE: CONTRACT UNIT PRICE FOR PIPE SHALL INCLUDE COST OF CONNECTION TO EXISTING STORM SEWER OR M.H.

Addendum No. 01
 ID 5953-04-71
 Revised Sheet 37
 April 23, 2018

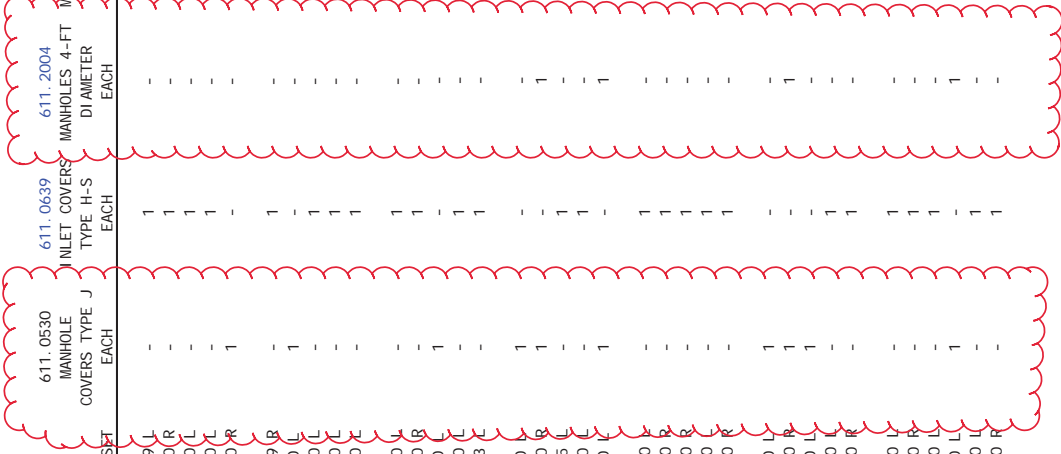


PROJECT NO: 5953-04-71	COUNTY: IOWA	STORM SEWER	SHEET 37	E
FILE NAME: N:\PDS\3D\59530401\37\5953-04-71-SS.DWG	FLYBY: SCHMIDT, DAVID B	FLYBY: SCHMIDT, DAVID B	FLYBY: SCHMIDT, DAVID B	FLYBY: SCHMIDT, DAVID B
LAYOUT NAME: DACOTA	DATE: 4/23/2018 8:23 AM	DATE: 4/23/2018 8:23 AM	DATE: 4/23/2018 8:23 AM	DATE: 4/23/2018 8:23 AM

Addendum No. 01
ID 5953-04-71
Revised Sheet 79
April 23, 2018

INLET, MANHOLE AND COVERS

CATEGORY	STRUCTURE NUMBER	STATION	LOCATION	OFFSET	611.0530 MANHOLE COVERS TYPE J EACH	611.0639 INLET COVERS TYPE H-S EACH	611.2004 MANHOLES 4-FT DIAMETER EACH	611.2005 MANHOLES 5-FT DIAMETER EACH	611.2006 MANHOLES 6-FT DIAMETER EACH	611.3230 INLETS 2X3-FT EACH
0010	1.1	52+42	UNI ON	12.9 L	-	1	-	-	-	1
	1.2	52+42	UNI ON	24.0 R	-	1	-	-	-	1
	2.1	52+62	UNI ON	32.0 L	-	1	-	-	-	1
	2.2	52+62	UNI ON	46.0 L	-	1	-	-	-	1
	MH 1.0	52+80	UNI ON	22.0 R	1	-	-	1	-	-
	1.3	52+89	UNI ON	30.9 R	-	1	-	-	-	1
	MH 2.0	52+94	UNI ON	5.0 L	1	-	-	1	-	-
	2.3	52+94	UNI ON	46.0 L	-	1	-	-	-	1
	2.5	53+43	UNI ON	18.0 L	-	1	-	-	-	1
	2.4	53+56	UNI ON	18.0 L	-	1	-	-	-	1
	3.4	57+82	DACOTAH	18.0 L	-	1	-	-	-	1
	3.5	58+08	DACOTAH	12.0 R	-	1	-	-	-	1
	MH 3.0	58+12	DACOTAH	6.0 L	1	-	-	1	-	-
	3.3	58+12	DACOTAH	18.0 L	-	1	-	-	-	1
	3.2	58+29	DACOTAH	33.3 L	-	1	-	-	-	1
	MH 4.0	58+39	DACOTAH	6.0 R	1	-	-	1	-	-
	MH 6.0	58+39	DACOTAH	34.0 R	1	-	-	1	-	-
	3.1	58+49	DACOTAH	36.5 L	-	1	-	-	-	1
	5.4	59+22	DACOTAH	18.0 L	-	1	-	-	-	1
	MH 5.0	59+32	DACOTAH	6.0 L	1	-	-	1	-	-
	5.5	59+32	DACOTAH	18.0 R	-	1	-	-	-	1
	5.3	59+32	DACOTAH	12.0 R	-	1	-	-	-	1
	5.2	59+42	DACOTAH	12.0 R	-	1	-	-	-	1
	5.6	59+42	DACOTAH	18.0 L	-	1	-	-	-	1
	5.1	59+52	DACOTAH	12.0 R	-	1	-	-	-	1
	MH 7.0	62+93	ROGERS	6.0 L	1	-	-	1	-	-
	MH 22.0	62+93	ROGERS	33.0 R	1	-	-	1	-	-
	MH 8.0	64+42	ROGERS	6.0 L	1	-	-	1	-	-
	8.3	64+42	ROGERS	18.0 L	-	1	-	-	-	1
	8.5	64+42	ROGERS	12.0 R	-	1	-	-	-	1
	8.2	64+52	ROGERS	18.0 L	-	1	-	-	-	1
	8.4	64+52	ROGERS	12.0 R	-	1	-	-	-	1
	8.1	64+62	ROGERS	18.0 L	-	1	-	-	-	1
	MH 9.0	66+40	ROGERS	6.0 L	1	-	-	1	-	-
	9.1	66+40	ROGERS	18.0 L	-	1	-	-	-	1
	9.2	66+40	ROGERS	12.0 R	-	1	-	-	-	1



CONTINUED NEXT PAGE

Addendum No. 01
ID 5953-04-71
Revised Sheet 80
April 23, 2018

INLET, MANHOLE AND COVERS

CATEGORY	STRUCTURE NUMBER	STATION	LOCATION	OFFSET	611.0530 MANHOLE COVERS TYPE J	611.0639 INLET COVERS TYPE H-S	611.2004 MANHOLES 4-FT DIAMETER	611.2005 MANHOLES 5-FT DIAMETER	611.2006 MANHOLES 6-FT DIAMETER	611.3230 INLETS 2X3-FT
					EACH	EACH	EACH	EACH	EACH	EACH
0010	MH 10.0	67+42	ROGERS	6.0 L	1	-	1	-	-	-
	10.1	67+42	ROGERS	18.0 L	-	1	-	-	-	1
	MH 11.0	68+32	ROGERS	6.0 F	1	-	1	-	-	-
	11.1	68+32	ROGERS	12.0 R	-	1	-	-	-	1
	MH 12.0	69+48	ROGERS	6.0 L	1	-	1	-	-	-
	12.2	69+48	ROGERS	12.0 R	-	1	-	-	-	1
	12.1	69+56	ROGERS	12.0 R	-	1	-	-	-	1
	MH 13.0	70+25	ROGERS	6.0 L	1	-	1	-	-	-
	13.2	70+25	ROGERS	38.0 L	-	1	-	-	-	1
	13.1	70+52	ROGERS	38.0 L	-	1	-	-	-	1
	MH 14.0	70+75	ROGERS	6.0 L	1	-	1	-	-	-
	14.1	70+75	ROGERS	18.0 L	-	1	-	-	-	1
	MH 15.0	79+00	DIAMOND OAKS	6.0 L	1	-	1	-	-	-
	15.1	79+00	DIAMOND OAKS	12.0 R	-	1	-	-	-	1
	MH 16.0	82+00	DIAMOND OAKS	6.0 L	1	-	1	-	-	-
	16.1	82+00	DIAMOND OAKS	12.0 R	-	1	-	-	-	1
	16.2	82+00	DIAMOND OAKS	18.0 L	-	1	-	-	-	1
	MH 17.0	83+58	DIAMOND OAKS	5.9 F	1	-	1	-	-	-
	17.1	83+58	DIAMOND OAKS	12.0 R	-	1	-	-	-	1
	17.2	83+58	DIAMOND OAKS	18.0 L	-	1	-	-	-	1
	20.1	83+86	DIAMOND OAKS	47.5 R	-	1	-	-	-	1
	MH 18.0	86+68	DIAMOND OAKS	6.0 L	1	-	1	-	-	-
TOTAL 0010					19	39	13	4	2	39



Proposal Schedule of Items

Proposal ID: 20180508006 Project(s): 5953-04-71, 5953-04-72

Federal ID(s): WISC 2018236, N/A

SECTION: 0001

Contract Items

Alt Set ID:

Alt Mbr ID:

Proposal Line Number	Item ID Description	Approximate Quantity and Units	Unit Price	Bid Amount
0002	201.0120 Clearing	1,015.000 ID	_____.	_____.
0004	201.0220 Grubbing	1,015.000 ID	_____.	_____.
0006	203.0100 Removing Small Pipe Culverts	1.000 EACH	_____.	_____.
0008	204.0100 Removing Pavement	270.000 SY	_____.	_____.
0010	204.0150 Removing Curb & Gutter	5,810.000 LF	_____.	_____.
0012	204.0155 Removing Concrete Sidewalk	2,500.000 SY	_____.	_____.
0014	204.0170 Removing Fence	1,010.000 LF	_____.	_____.
0016	204.0210 Removing Manholes	3.000 EACH	_____.	_____.
0018	204.0220 Removing Inlets	9.000 EACH	_____.	_____.
0020	204.0245 Removing Storm Sewer (size) 01. 12-inch	420.000 LF	_____.	_____.
0022	204.0245 Removing Storm Sewer (size) 01. 18-inch	85.000 LF	_____.	_____.
0024	204.9090.S Removing (item description) 01. Existing Concrete Steps	118.000 LF	_____.	_____.
0026	205.0100 Excavation Common	14,140.000 CY	_____.	_____.
0028	205.0501.S Excavation, Hauling, and Disposal of Petroleum Contaminated Soil	300.000 TON	_____.	_____.
0030	213.0100 Finishing Roadway (project) 01. 5953-04-71	1.000 EACH	_____.	_____.



Proposal Schedule of Items

Proposal ID: 20180508006 Project(s): 5953-04-71, 5953-04-72

Federal ID(s): WISC 2018236, N/A

SECTION: 0001

Contract Items

Alt Set ID:

Alt Mbr ID:

Proposal Line Number	Item ID Description	Approximate Quantity and Units	Unit Price	Bid Amount
0032	305.0115 Base Aggregate Dense 3/4-Inch	25.000 CY	_____.	_____.
0034	305.0120 Base Aggregate Dense 1 1/4-Inch	9,537.000 TON	_____.	_____.
0036	312.0110 Select Crushed Material	11,160.000 TON	_____.	_____.
0038	416.0160 Concrete Driveway 6-Inch	820.000 SY	_____.	_____.
0040	416.0170 Concrete Driveway 7-Inch	21.000 SY	_____.	_____.
0042	440.4410 Incentive IRI Ride	2,844.000 DOL	1.00000	2,844.00
0044	455.0605 Tack Coat	720.000 GAL	_____.	_____.
0046	460.2000 Incentive Density HMA Pavement	2,010.000 DOL	1.00000	2,010.00
0048	460.4110.S Reheating HMA Pavement Longitudinal Joints	11,250.000 LF	_____.	_____.
0050	460.5223 HMA Pavement 3 LT 58-28 S	1,796.000 TON	_____.	_____.
0052	460.5224 HMA Pavement 4 LT 58-28 S	1,400.000 TON	_____.	_____.
0054	465.0120 Asphaltic Surface Driveways and Field Entrances	36.000 TON	_____.	_____.
0056	522.1024 Apron Endwalls for Culvert Pipe Reinforced Concrete 24-Inch	1.000 EACH	_____.	_____.
0058	601.0411 Concrete Curb & Gutter 30-Inch Type D	7,535.000 LF	_____.	_____.
0060	601.0600 Concrete Curb Pedestrian	48.000 LF	_____.	_____.
0062	602.0405 Concrete Sidewalk 4-Inch	29,135.000 SF	_____.	_____.



Proposal Schedule of Items

Proposal ID: 20180508006 Project(s): 5953-04-71, 5953-04-72

Federal ID(s): WISC 2018236, N/A

SECTION: 0001

Contract Items

Alt Set ID:

Alt Mbr ID:

Proposal Line Number	Item ID Description	Approximate Quantity and Units	Unit Price	Bid Amount
0064	602.0505 Curb Ramp Detectable Warning Field Yellow	206.000 SF	_____.	_____.
0066	602.0605 Curb Ramp Detectable Warning Field Radial Yellow	23.900 SF	_____.	_____.
0068	602.1500 Concrete Steps	600.000 SF	_____.	_____.
0070	606.0200 Riprap Medium	11.000 CY	_____.	_____.
0072	608.0412 Storm Sewer Pipe Reinforced Concrete Class IV 12-Inch	566.000 LF	_____.	_____.
0074	608.0415 Storm Sewer Pipe Reinforced Concrete Class IV 15-Inch	34.000 LF	_____.	_____.
0076	608.0418 Storm Sewer Pipe Reinforced Concrete Class IV 18-Inch	252.000 LF	_____.	_____.
0078	608.0424 Storm Sewer Pipe Reinforced Concrete Class IV 24-Inch	1,790.000 LF	_____.	_____.
0082	611.0639 Inlet Covers Type H-S	39.000 EACH	_____.	_____.
0086	611.2004 Manholes 4-FT Diameter	13.000 EACH	_____.	_____.
0088	611.2005 Manholes 5-FT Diameter	4.000 EACH	_____.	_____.
0090	611.2006 Manholes 6-FT Diameter	2.000 EACH	_____.	_____.
0092	611.3230 Inlets 2x3-FT	39.000 EACH	_____.	_____.
0094	611.8110 Adjusting Manhole Covers	1.000 EACH	_____.	_____.
0096	611.8115 Adjusting Inlet Covers	2.000 EACH	_____.	_____.



Proposal Schedule of Items

Proposal ID: 20180508006 Project(s): 5953-04-71, 5953-04-72

Federal ID(s): WISC 2018236, N/A

SECTION: 0001

Contract Items

Alt Set ID:

Alt Mbr ID:

Proposal Line Number	Item ID Description	Approximate Quantity and Units	Unit Price	Bid Amount
0098	611.8120.S Cover Plates Temporary	19.000 EACH	_____.	_____.
0100	618.0100 Maintenance And Repair of Haul Roads (project) 01. 5953-04-71	1.000 EACH	_____.	_____.
0102	619.1000 Mobilization	1.000 EACH	_____.	_____.
0104	624.0100 Water	110.000 MGAL	_____.	_____.
0106	625.0100 Topsoil	10,750.000 SY	_____.	_____.
0108	627.0200 Mulching	500.000 SY	_____.	_____.
0110	628.1504 Silt Fence	3,500.000 LF	_____.	_____.
0112	628.1520 Silt Fence Maintenance	7,000.000 LF	_____.	_____.
0114	628.2004 Erosion Mat Class I Type B	1,620.000 SY	_____.	_____.
0116	628.2006 Erosion Mat Urban Class I Type A	10,680.000 SY	_____.	_____.
0118	628.7015 Inlet Protection Type C	49.000 EACH	_____.	_____.
0120	628.7020 Inlet Protection Type D	4.000 EACH	_____.	_____.
0122	628.7504 Temporary Ditch Checks	120.000 LF	_____.	_____.
0124	628.7560 Tracking Pads	3.000 EACH	_____.	_____.
0126	629.0210 Fertilizer Type B	6.000 CWT	_____.	_____.
0128	630.0130 Seeding Mixture No. 30	32.000 LB	_____.	_____.



Proposal Schedule of Items

Proposal ID: 20180508006 Project(s): 5953-04-71, 5953-04-72

Federal ID(s): WISC 2018236, N/A

SECTION: 0001

Contract Items

Alt Set ID:

Alt Mbr ID:

Proposal Line Number	Item ID Description	Approximate Quantity and Units	Unit Price	Bid Amount
0130	630.0140 Seeding Mixture No. 40	190.000 LB	_____	_____
0132	630.0200 Seeding Temporary	314.000 LB	_____	_____
0134	631.0300 Sod Water	9.000 MGAL	_____	_____
0136	631.1000 Sod Lawn	10.000 SY	_____	_____
0138	634.0614 Posts Wood 4x6-Inch X 14-FT	15.000 EACH	_____	_____
0140	634.0616 Posts Wood 4x6-Inch X 16-FT	10.000 EACH	_____	_____
0142	634.0618 Posts Wood 4x6-Inch X 18-FT	1.000 EACH	_____	_____
0144	637.2210 Signs Type II Reflective H	165.000 SF	_____	_____
0146	637.2230 Signs Type II Reflective F	18.000 SF	_____	_____
0148	638.2602 Removing Signs Type II	22.000 EACH	_____	_____
0150	638.3000 Removing Small Sign Supports	20.000 EACH	_____	_____
0152	642.5201 Field Office Type C	1.000 EACH	_____	_____
0154	643.0300 Traffic Control Drums	3,975.000 DAY	_____	_____
0156	643.0410 Traffic Control Barricades Type II	1,110.000 DAY	_____	_____
0158	643.0420 Traffic Control Barricades Type III	4,530.000 DAY	_____	_____
0160	643.0705 Traffic Control Warning Lights Type A	5,685.000 DAY	_____	_____
0162	643.0900 Traffic Control Signs	6,725.000 DAY	_____	_____



Proposal Schedule of Items

Proposal ID: 20180508006 Project(s): 5953-04-71, 5953-04-72

Federal ID(s): WISC 2018236, N/A

SECTION: 0001

Contract Items

Alt Set ID:

Alt Mbr ID:

Proposal Line Number	Item ID Description	Approximate Quantity and Units	Unit Price	Bid Amount
0164	643.0920 Traffic Control Covering Signs Type II	5.000 EACH	_____.	_____.
0166	643.1050 Traffic Control Signs PCMS	28.000 DAY	_____.	_____.
0168	643.5000 Traffic Control	1.000 EACH	_____.	_____.
0170	644.1420.S Temporary Pedestrian Surface Plywood	2,250.000 SF	_____.	_____.
0172	644.1601.S Temporary Curb Ramp	14.000 EACH	_____.	_____.
0174	644.1616.S Temporary Pedestrian Safety Fence	310.000 LF	_____.	_____.
0176	645.0130 Geotextile Type R	30.000 SY	_____.	_____.
0178	645.0220 Geogrid Type SR	13,550.000 SY	_____.	_____.
0180	646.1020 Marking Line Epoxy 4-Inch	7,660.000 LF	_____.	_____.
0182	646.6120 Marking Stop Line Epoxy 18-Inch	165.000 LF	_____.	_____.
0184	646.7420 Marking Crosswalk Epoxy Transverse Line 6-Inch	360.000 LF	_____.	_____.
0186	650.4000 Construction Staking Storm Sewer	57.000 EACH	_____.	_____.
0188	650.4500 Construction Staking Subgrade	3,750.000 LF	_____.	_____.
0190	650.5000 Construction Staking Base	3,750.000 LF	_____.	_____.
0192	650.5500 Construction Staking Curb Gutter and Curb & Gutter	7,535.000 LF	_____.	_____.
0194	650.9000 Construction Staking Curb Ramps	21.000 EACH	_____.	_____.



Proposal Schedule of Items

Proposal ID: 20180508006 Project(s): 5953-04-71, 5953-04-72

Federal ID(s): WISC 2018236, N/A

SECTION: 0001

Contract Items

Alt Set ID:

Alt Mbr ID:

Proposal Line Number	Item ID Description	Approximate Quantity and Units	Unit Price	Bid Amount
0196	650.9910 Construction Staking Supplemental Control (project) 01. 5953-04-71	LS	LUMP SUM	_____.
0198	650.9920 Construction Staking Slope Stakes	3,750.000 LF	_____.	_____.
0200	690.0150 Sawing Asphalt	590.000 LF	_____.	_____.
0202	690.0250 Sawing Concrete	445.000 LF	_____.	_____.
0204	ASP.1T0A On-the-Job Training Apprentice at \$5.00/HR	700.000 HRS	5.00000	3,500.00
0206	ASP.1T0G On-the-Job Training Graduate at \$5.00/HR	375.000 HRS	5.00000	1,875.00
0208	SPV.0035 Special 20. Excavation Rock	380.000 CY	_____.	_____.
0210	SPV.0060 Special 01. Connect Storm Sewer Manhole To Existing Storm Sewer Pipe	3.000 EACH	_____.	_____.
0212	SPV.0060 Special 02. Landmark Reference Monuments Special	1.000 EACH	_____.	_____.
0214	SPV.0060 Special 03. Concrete Sidewalls for Concrete Steps	1.000 EACH	_____.	_____.
0216	SPV.0060 Special 20. Removing Hydrant	6.000 EACH	_____.	_____.
0218	SPV.0060 Special 21. Water Main Valve 8-inch	4.000 EACH	_____.	_____.
0220	SPV.0060 Special 22. Water Main Valve 12-inch	10.000 EACH	_____.	_____.
0222	SPV.0060 Special 23. Fire Hydrant	5.000 EACH	_____.	_____.
0224	SPV.0060 Special 24. Metered Water Vault	2.000 EACH	_____.	_____.



Proposal Schedule of Items

Proposal ID: 20180508006 Project(s): 5953-04-71, 5953-04-72

Federal ID(s): WISC 2018236, N/A

SECTION: 0001

Contract Items

Alt Set ID:

Alt Mbr ID:

Proposal Line Number	Item ID Description	Approximate Quantity and Units	Unit Price	Bid Amount
0226	SPV.0060 Special 25. Water Service Curb Stop and Box 1-inch	46.000 EACH	_____.	_____.
0228	SPV.0060 Special 26. Water Service Curb Stop and Box 2-inch	1.000 EACH	_____.	_____.
0230	SPV.0060 Special 27. Temporary Surface Feed	1.000 EACH	_____.	_____.
0232	SPV.0060 Special 28. Adjusting Valve Boxes	4.000 EACH	_____.	_____.
0234	SPV.0060 Special 29. Sanitary Sewer WYE 4" x 8"	34.000 EACH	_____.	_____.
0236	SPV.0060 Special 30. Sanitary Sewer WYE 6" x 8"	1.000 EACH	_____.	_____.
0238	SPV.0060 Special 31. Manhole Frame & Lid Type B	11.000 EACH	_____.	_____.
0240	SPV.0060 Special 32. Sanitary Manhole 48-inch	10.000 EACH	_____.	_____.
0242	SPV.0060 Special 33. External Drop Sanitary Manhole 48-inch	1.000 EACH	_____.	_____.
0244	SPV.0090 Special 01. Handrail	73.000 LF	_____.	_____.
0246	SPV.0090 Special 02. Pipe Underdrain Wrapped 6-inch and Aggregate	1,860.000 LF	_____.	_____.
0248	SPV.0090 Special 20. Water Main 6-inch	40.500 LF	_____.	_____.
0250	SPV.0090 Special 21. Water Main 8-inch	299.000 LF	_____.	_____.
0252	SPV.0090 Special 22. Water Main 12-inch	3,688.000 LF	_____.	_____.
0254	SPV.0090 Special 23. Water Service Line 1-inch	1,080.500 LF	_____.	_____.
0256	SPV.0090 Special 24. Water Service Line 2-inch	39.500 LF	_____.	_____.



Proposal Schedule of Items

Proposal ID: 20180508006 Project(s): 5953-04-71, 5953-04-72

Federal ID(s): WISC 2018236, N/A

SECTION: 0001

Contract Items

Alt Set ID:

Alt Mbr ID:

Proposal Line Number	Item ID Description	Approximate Quantity and Units	Unit Price	Bid Amount
0258	SPV.0090 Special 25. Sanitary Sewer Pipe 8-inch	2,219.000 LF	_____.	_____.
0260	SPV.0090 Special 26. Sanitary Sewer Lateral 4-inch	1,112.000 LF	_____.	_____.
0262	SPV.0090 Special 27. Sanitary Sewer Lateral 6-inch	34.000 LF	_____.	_____.
0264	SPV.0090 Special 28. Sanitary Sewer Force Main 2-inch	40.000 LF	_____.	_____.
0266	611.0530 Manhole Covers Type J	19.000 EACH	_____.	_____.
Section: 0001			Total:	_____.
			Total Bid:	_____.