

**GENERAL NOTES**

DETAILS OF CONSTRUCTION, MATERIALS AND WORKMANSHIP NOT SHOWN ON THIS DRAWING SHALL CONFORM TO THE PERTINENT REQUIREMENTS OF THE STANDARD SPECIFICATIONS AND THE APPLICABLE SPECIAL PROVISIONS.

UNLESS OTHERWISE AUTHORIZED IN WRITING BY THE ENGINEER, THE CONTRACTOR SHALL NOT ORDER AND DELIVER PRECAST CATCH BASIN UNITS REQUIRED FOR THE PROJECT UNTIL A LIST OF SIZES IS FURNISHED BY THE ENGINEER.

DETAILED DRAWINGS FOR PROPOSED ALTERNATE DESIGNS FOR UNDERGROUND DRAINAGE STRUCTURES SHALL BE SUBMITTED TO THE ENGINEER FOR APPROVAL PROVIDING THAT SUCH ALTERNATE DESIGNS MAKE PROVISION FOR EQUIVALENT CAPACITY AND STRENGTH.

ALL PRECAST CATCH BASIN UNITS SHALL CONFORM TO THE PERTINENT REQUIREMENTS OF ASTM C 913.

ALL DRAINAGE STRUCTURES ARE DESIGNATED ON THE PLANS AS "MANHOLES 3X3-L", "CATCH BASINS 4-B", "INLETS 2X3-H", ETC. THE FIRST NUMBERS DESIGNATES THE SIZE OF THE STRUCTURE, AND THE FOLLOWING LETTER DESIGNATES THE TYPE OF COVER TO BE USED TO COMPRISE THE COMPLETE UNIT.

BASES SHALL BE PLACED ON A BED OF MATERIAL AT LEAST 6 INCHES IN DEPTH, WHICH MEETS THE REQUIREMENTS OF FOUNDATION BACKFILL. THIS BEDDING SHALL BE COMPACTED AND PROVIDE UNIFORM SUPPORT FOR THE ENTIRE AREA OF THE BASE.

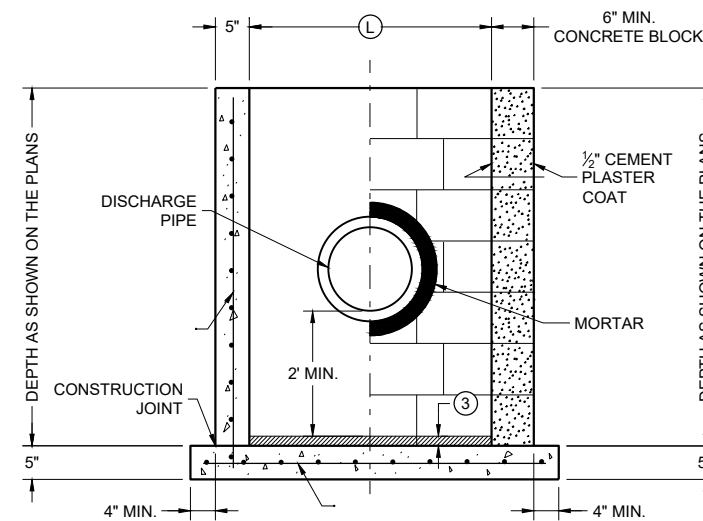
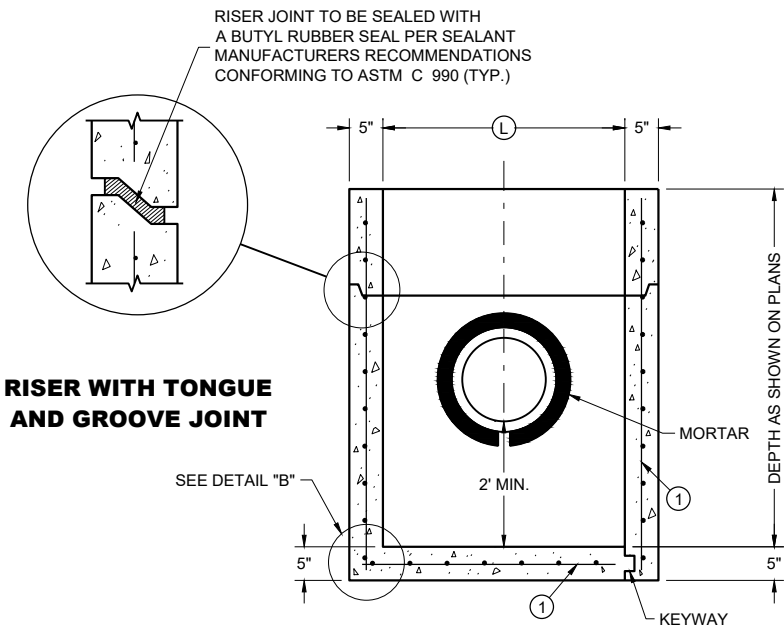
ALL BAR STEEL REINFORCEMENT SHALL BE EMBEDDED 2 INCHES CLEAR UNLESS OTHERWISE SHOWN OR NOTED.

PRECAST REINFORCED RISERS SHALL HAVE A TONGUE AND GROOVE JOINT WITH TONGUE UP OR DOWN.

4" OVERHANGING BASES ARE REQUIRED FOR CAST-IN-PLACE REINFORCED CONCRETE AND CONCRETE BLOCK INSTALLATIONS. 4" OVERHANG IS REQUIRED WHEN SEPARATE PRECAST BASE IS PROVIDED. OVERHANG IS NOT REQUIRED ON PRECAST STRUCTURES WITH AN INTEGRAL OR MONOLITHIC BASE.

MAXIMUM INSIDE PIPE DIAMETER DETERMINED BY 3" CLEARANCE ON EACH SIDE OF THE OUTSIDE WALL OF THE PIPE. SEE DETAIL "A". ASSUMES PIPE ENTERS PERPENDICULAR TO THE STRUCTURE.

- ① FOR PRECAST CATCH BASINS AND REINFORCED CONCRETE BASES PROVIDE REINFORCING STEEL IN ACCORDANCE TO ASTM C 913.
- ② CONTRACTOR TO PROVIDE DRAWING(S) STAMPED BY A PROFESSIONAL ENGINEER FOR STEEL REINFORCING DESIGN FOR CAST-IN-PLACE STRUCTURES.
- ③ 1" CONCRETE KEY POURED AFTER INSTALLATION. 2' SUMP MEASURED FROM TOP OF KEY.



**CATCH BASIN COVER MATRIX**

CATCH BASIN SIZE	WIDTH (W) (FT.)	LENGTH (L) (FT.)	INLET COVER TYPE	
			F	ALL H'S
2 X 3-FT	2	3		X
2.5 X 3-FT	2.5	3	X	

**PIPE MATRIX**

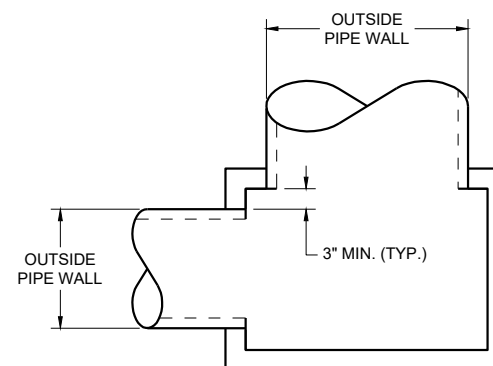
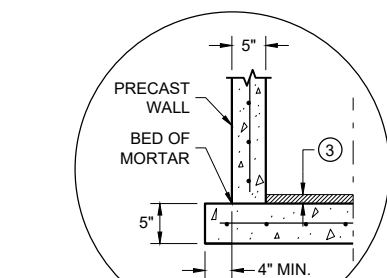
CATCH BASIN SIZE	MAXIMUM INSIDE PIPE DIAMETER (IN)	
	WIDTH (W) (IN)	LENGTH (L) (IN)
2 X 3-FT	12	24
2.5 X 3-FT	18	24

PRECAST REINFORCED CONCRETE WITH MONOLITHIC BASE

PRECAST REINFORCED CONCRETE WITH INTEGRAL BASE

CAST IN PLACE REINFORCED CONCRETE

CONCRETE BLOCK ON CAST IN PLACE OR PRECAST REINFORCED CONCRETE BASE ①



SEPARATE PRECAST REINFORCED CONCRETE BASE OPTION

**CATCH BASINS 2X3-FT AND 2.5X3-FT**

**CATCH BASINS  
2 X 3-FT AND 2.5 X 3-FT**

STATE OF WISCONSIN  
DEPARTMENT OF TRANSPORTATION

APPROVED  
December 2023 DATE /S/ RODNEY TAYLOR  
ROADWAY STANDARDS DEVELOPMENT UNIT SUPERVISOR

*Catch Basins 2x3-FT and 2.5x3-FT*

**References:**

[FDM 13-25-30](#)

**Bid items associated with this drawing:**

<u>ITEM NUMBER</u>	<u>DESCRIPTION</u>	<u>UNIT</u>
611.1230	Catch Basins 2x3-FT.....	EACH
611.1253	Catch Basins 2.5x3-FT.....	EACH

**Standardized Special Provisions associated with this drawing:**

<u>STSP NUMBER</u>	<u>TITLE</u>
NONE	

**Other SDDs associated with this drawing:**

- [SDD 8A5](#) Inlet cover sheets "a", "c" and "d"
- [SDD 8D17](#) Manholes, Manhole and Inlet Covers

**Design Notes:**

Guidelines for matching catch basin opening size and inlet covers are provided on the front side of this SDD.

A pipe matrix on the front side of this SDD provides guidance for selecting the maximum inside pipe diameter. The inside pipe diameter was determined by the pipe entering perpendicular to the structure at 90°. Pipes entering at a skewed angle should be evaluated on a case by case basis.

If a sump depth greater than 2' is required, this must be specified in the miscellaneous quantities comments.

Catch Basins should be used only on projects that have a maintenance agreement for cleaning the sumps. Catch basins should not be used in municipalities that do not want them because of insect control.

**Contact Person:**

Ed Lilla (608) 266-2312