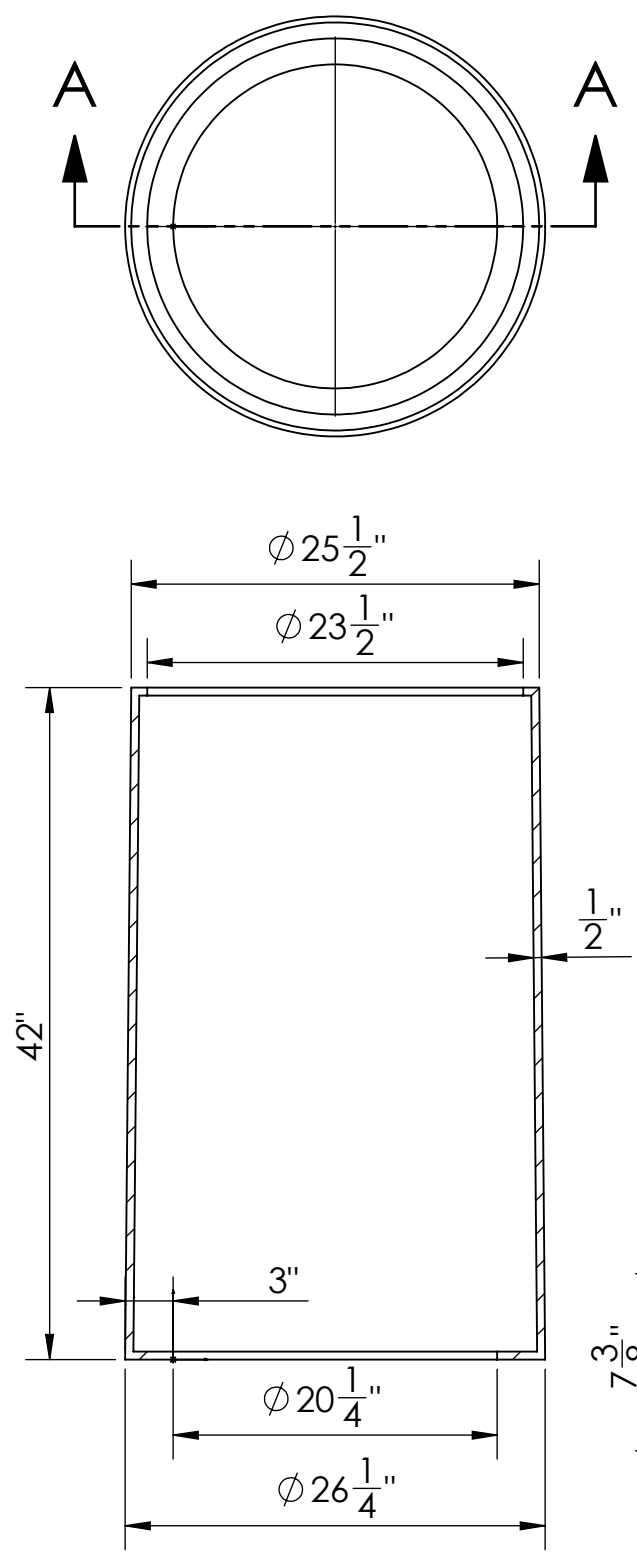
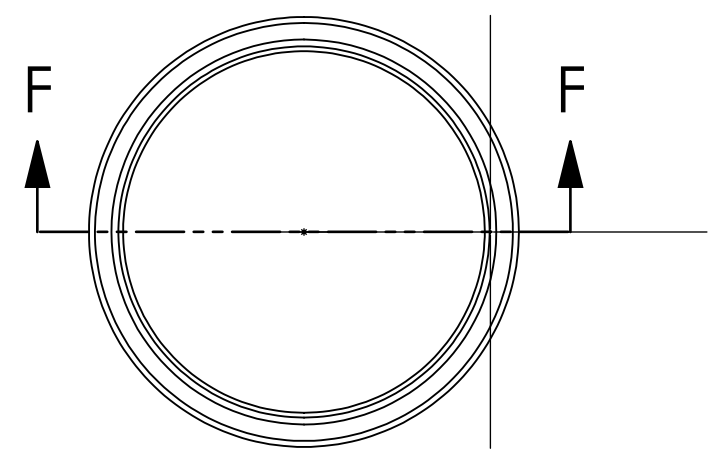
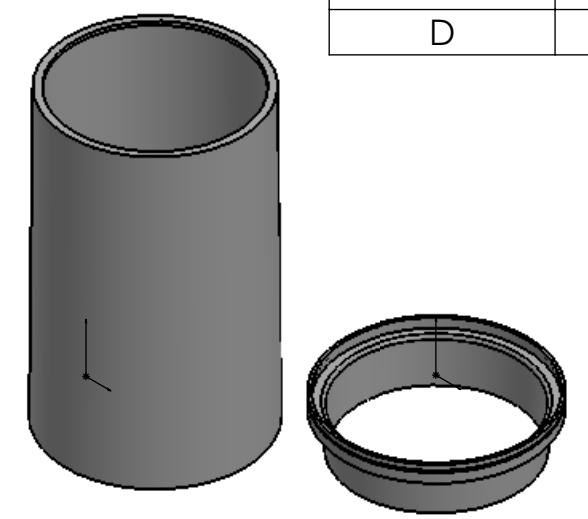


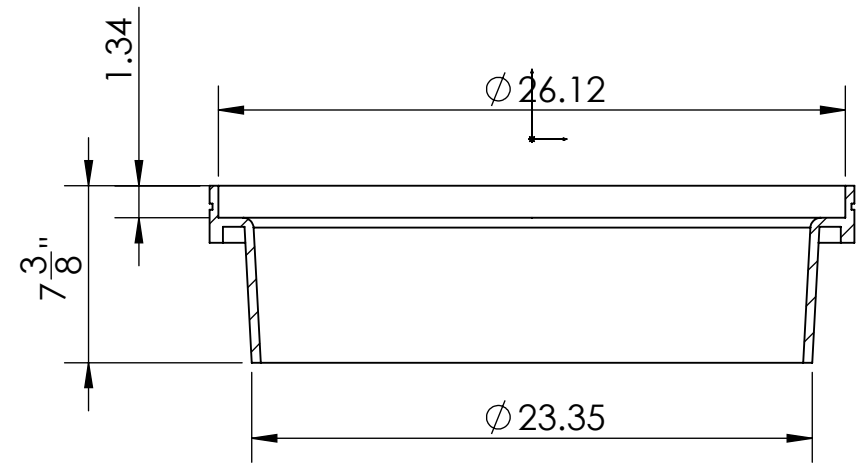
IDX	PART NO.	DESCRIPTION	QTY
A	2442HD5	LD 42" HDPE HANDHOLE	
B	FRM-PE	26" POLY FRAME	
C	ESS25NC_ELE	25.6" X 1.25" COVER/LID (ELECTRIC)	
D	249HD5	LD 9" HDPE HANDHOLE EXTENSION	



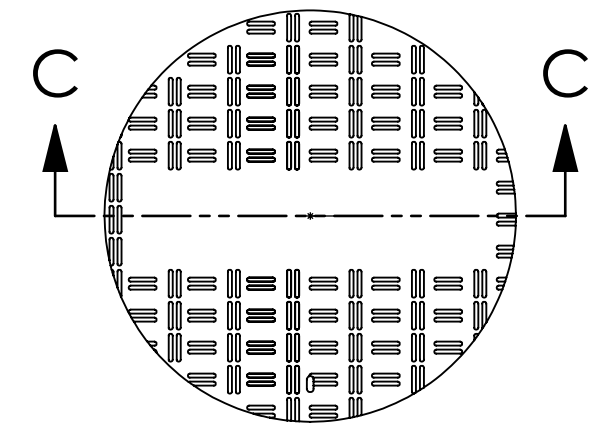
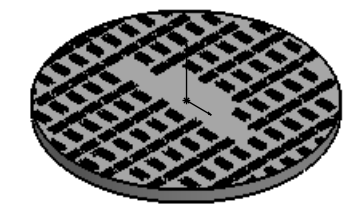
A - LD 42" HANDHOLE
(2442HD5)



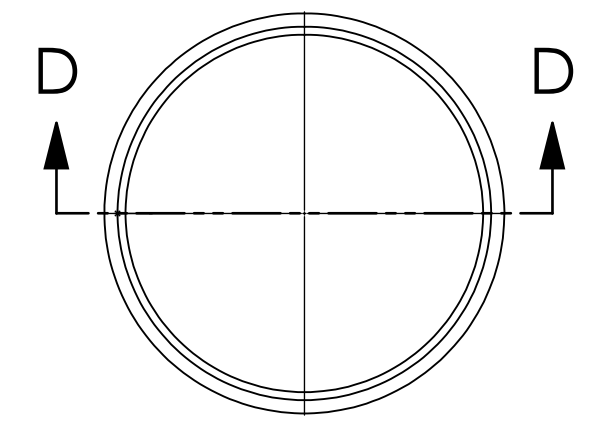
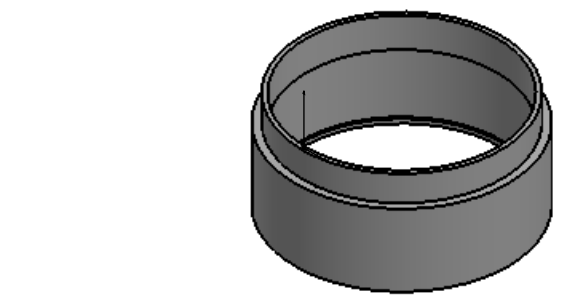
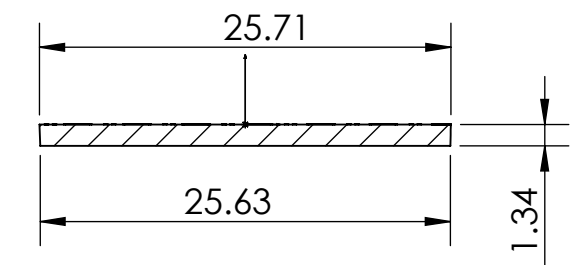
FRM-PE-DL



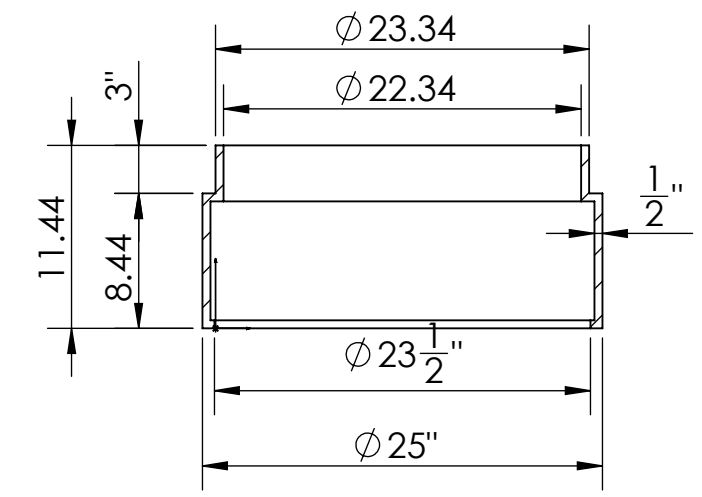
SECTION F-F
SCALE 1 : 8



C - COVER/LID
(ESS25NC_ELE)



D - 9" EXTENSION
(249HD5)



JOB: COMPOSITE ELECTRICAL PRODUCT ORDER FORM
LOCATION: ESS BROTHERS
CONTRACTOR: ESS BROTHERS
ESS JOB NO: SHEET NO. 1 OF 1

DRAWN BY: DM **CHECKED BY:** NGN
REVISION DESCRIPTION:
DATE: 12/31/1799 **PHONE:** (763) 478-2027
 12/31/1799 **FAX:** (763) 478-8868

DATE DRAWN: 4/3/2019