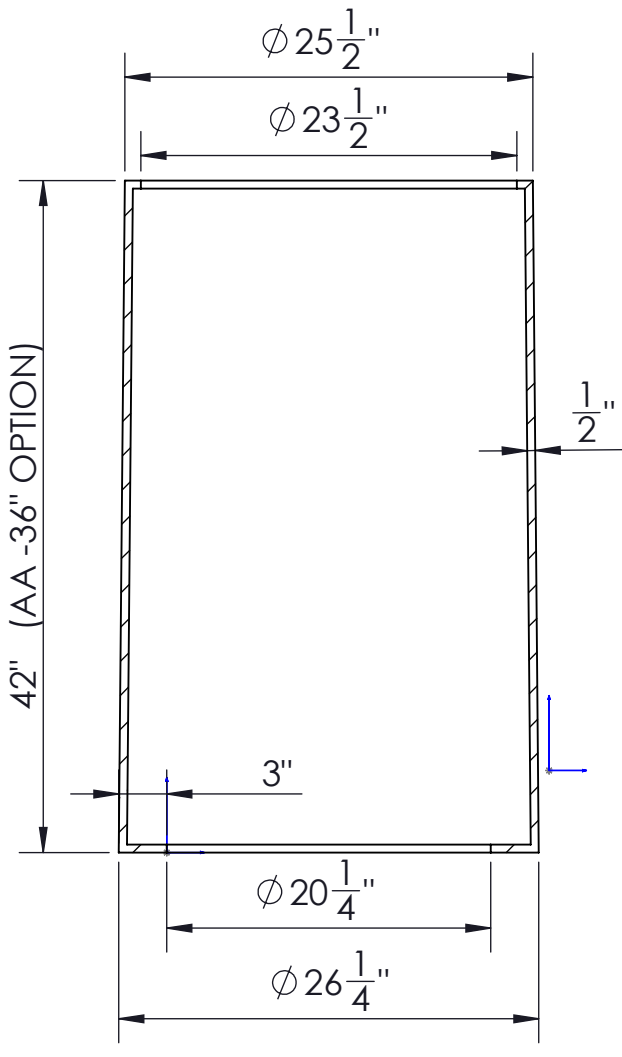
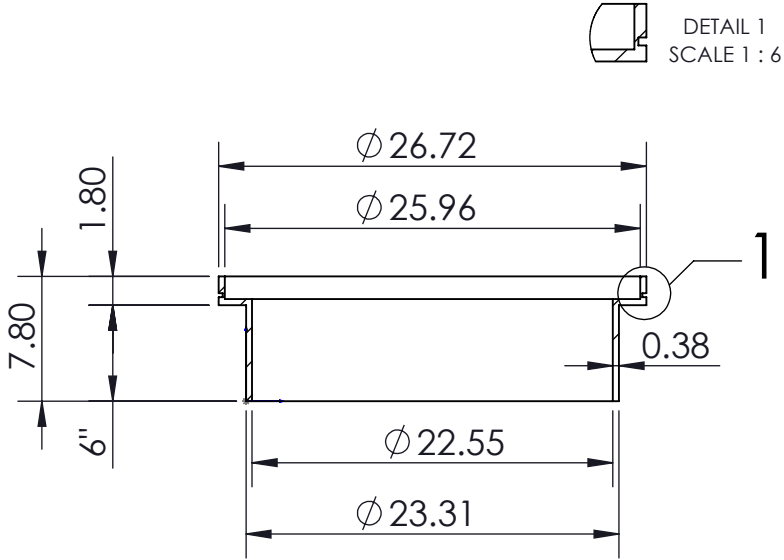
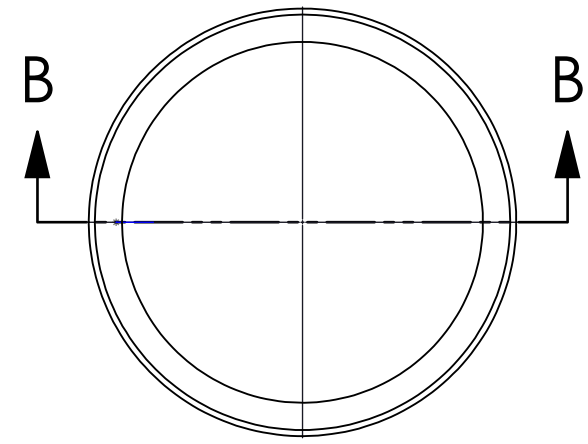


IDX	PART NO.	DESCRIPTION	QTY
A	2442HD5	LD 42" HDPE HANDHOLE	
AA	2436HD5	LD 36" HDPE HANDHOLE	
B	FRM-PE	26" POLY FRAME	
C	ESS25NC	25.6" X 1.25" COVER/LID	
D	2412HD5	LD 12" HDPE HANDHOLE EXTENSION	

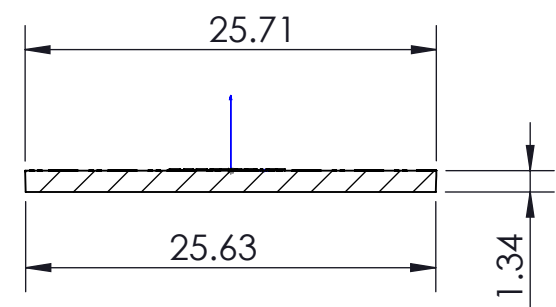
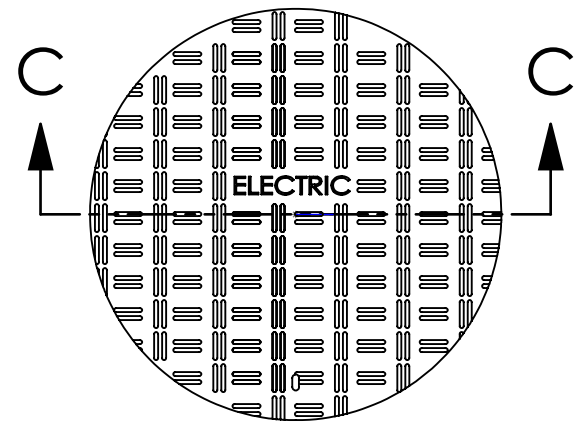


A - LD 42" HANDHOLE
(2442HD5)

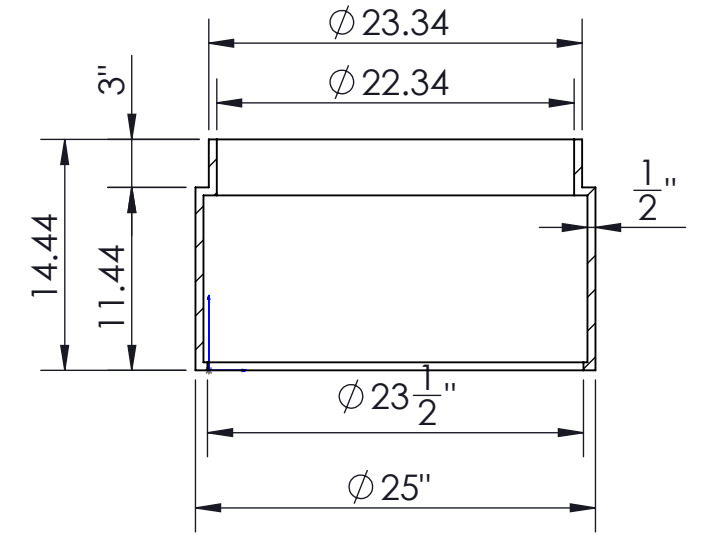
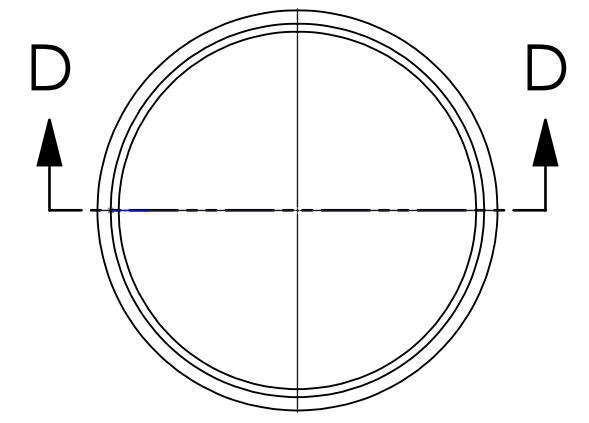
AA - LD 36" HANDHOLE
(2436HD5)



B - FRAME
(FRM-PE)



C - COVER/LID
(ESS25NC.)



D - 12" EXTENSION
(2412HD5)

DETAIL 1
SCALE 1 : 6