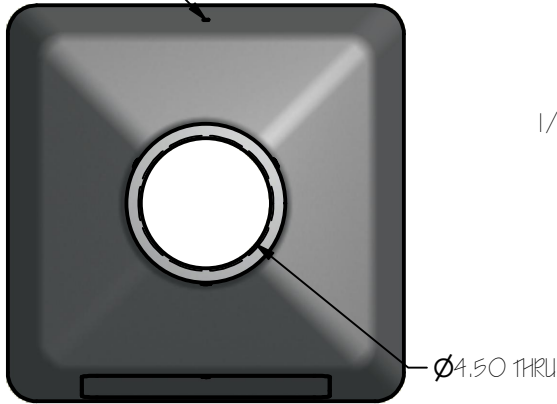
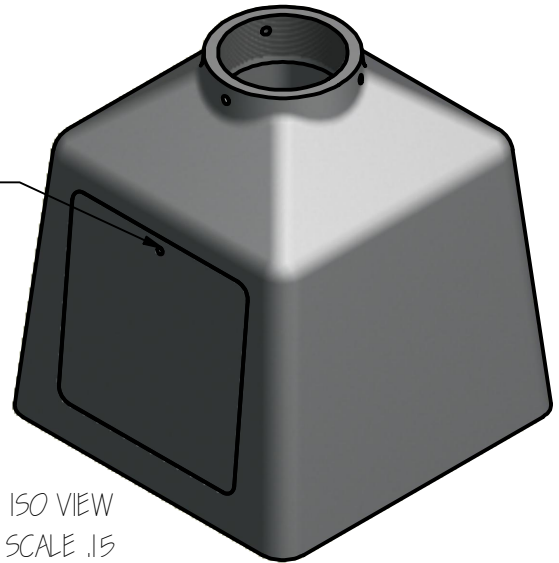


1/4-20 UNC  
THRU REAR OF BASE

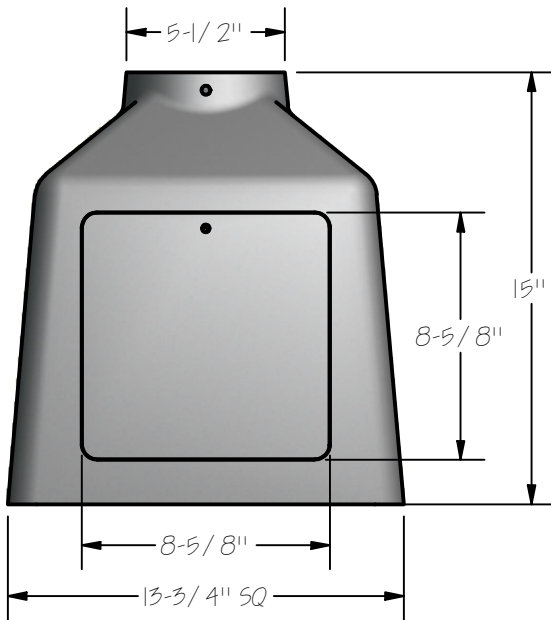


TOP VIEW  
SCALE .15

1/4-20 UNC



ISO VIEW  
SCALE .15



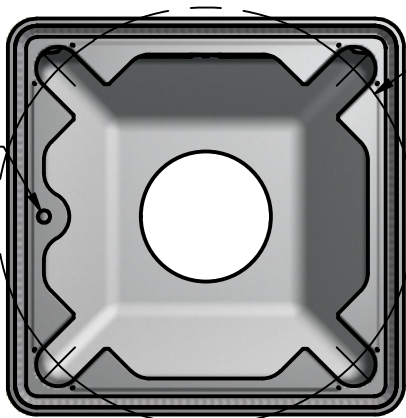
FRONT VIEW  
SCALE .15

NOTES:

TRANSFORMER BASE MANUFACTURED OF ALUMINUM ALLOY 356-T6

ADHESIVE BREAKAWAY AND CAUTION LABELS TO APPEAR ON INSIDE WALL  
OPPOSITE DOOR OPENING



1/2-13 UNC  
GROUND  
LOCATION



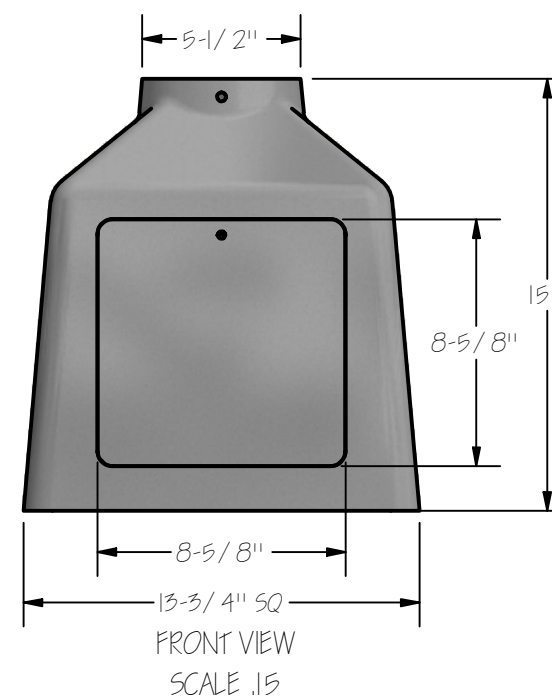
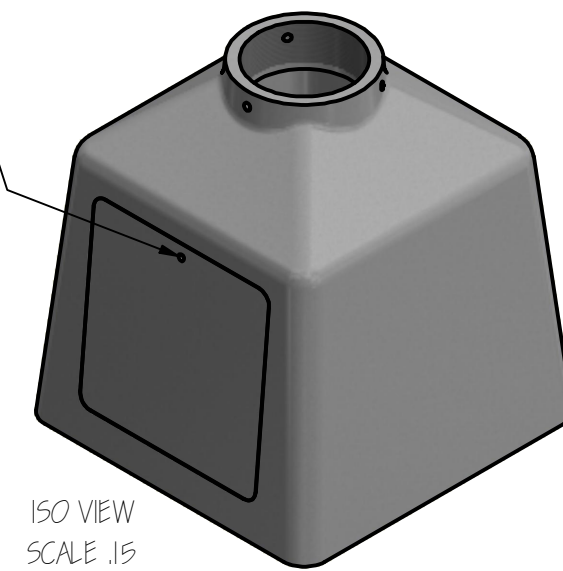
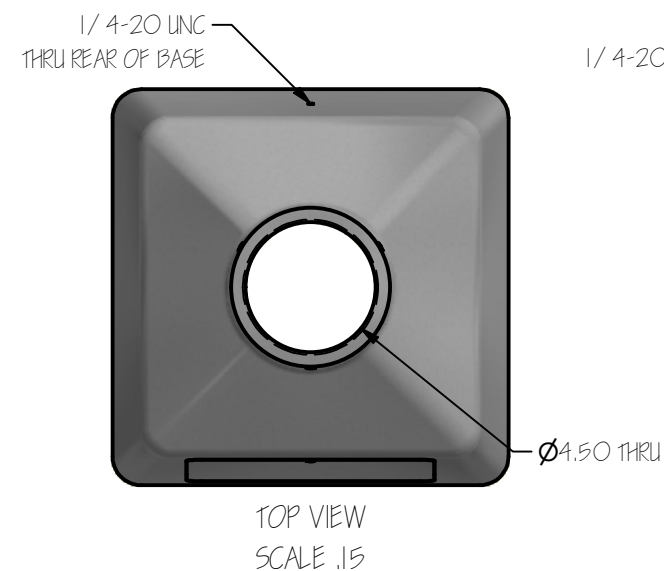
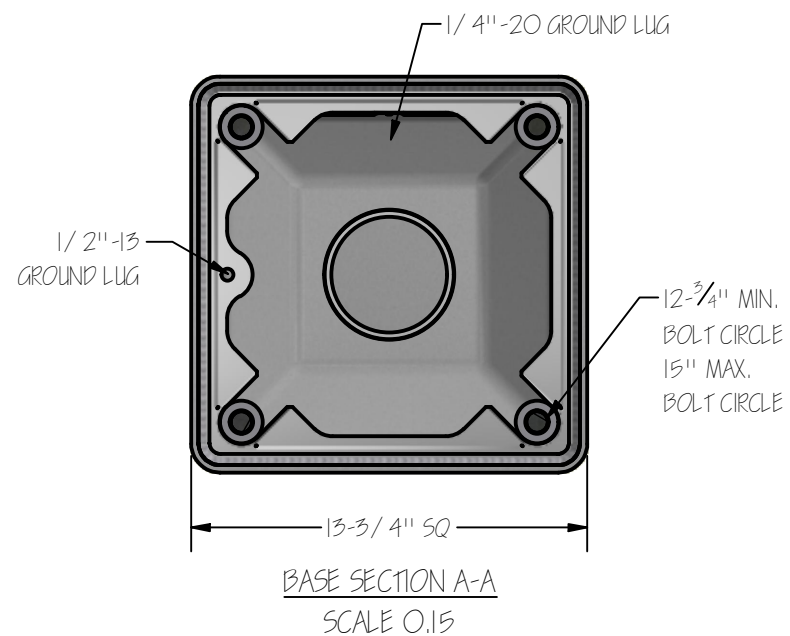
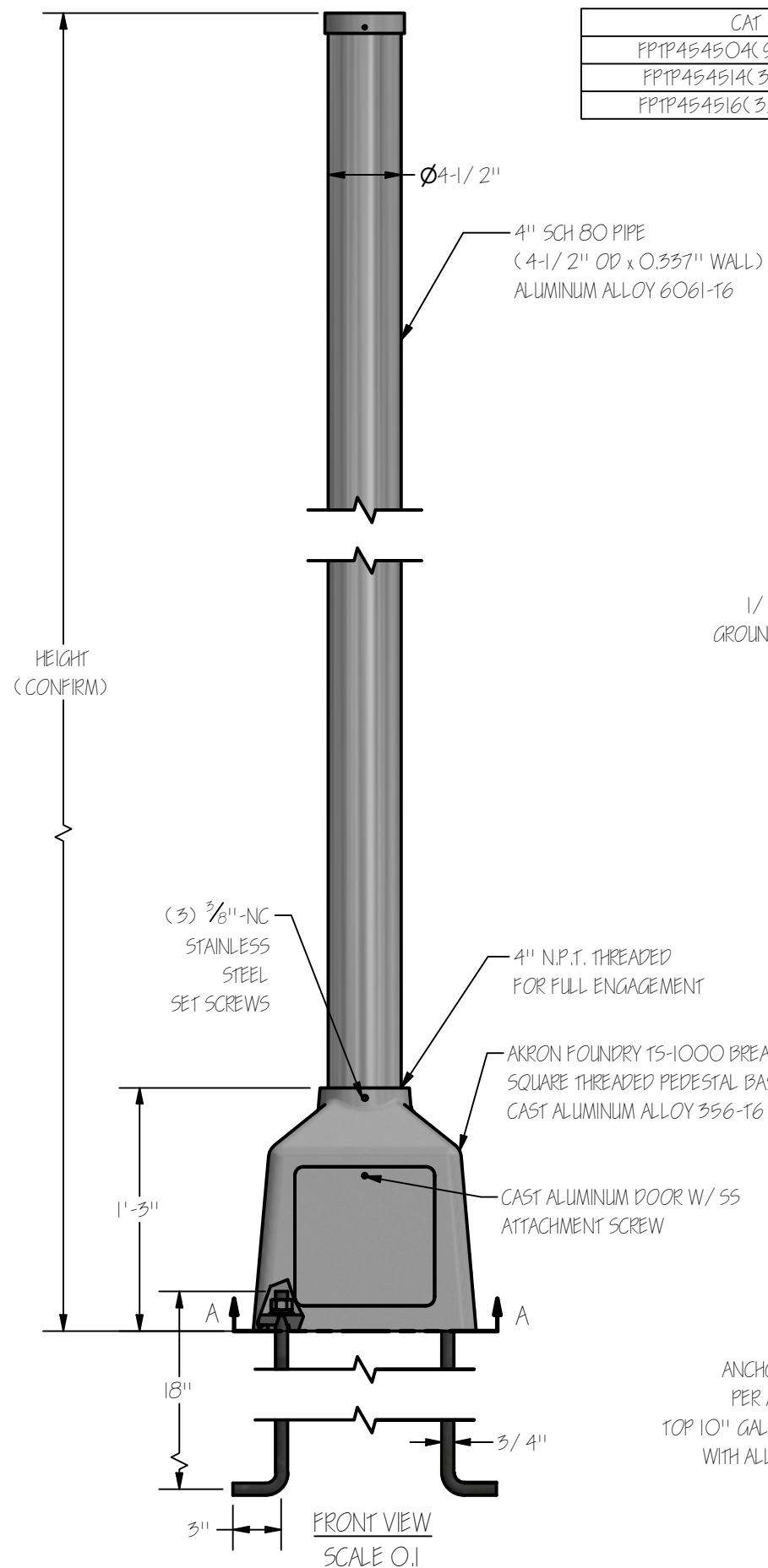
14-1/2" BC MAX  
12" BC MIN

BOTTOM VIEW  
SCALE .15



T5-1000

		95 GNARLED HOLLOW RD. EAST SETAUKET, N.Y. 11733	
<small>ALUMINUM LIGHT STANDARDS TUBULAR METAL PRODUCTS</small>		<small>TUBULAR PRODUCTS, INC.</small>	
PROJECT: DOT#52 / GLARUS/VERONØDIST:CISCO			
CONTRACTOR:CUMMINGS & TURK		AGENT:ENTERPRISE LT'G	
DRAWN BY: SAF	DATE: 04/12/2022	MATERIAL: AS NOTED	
CHK'D BY: SAF	APP'D:	DRAWING #:	
SCALE: AS NOTED	WORK ORDER #: 61958	<b>18205</b>	

CAT #	QTY	HEIGHT
FPTP454504(9)D-TS1000	-	4'-9" (3'-6" + 1'-3")
FPTP454514(3)D-TS1000	-	14'-3" (13'-0" + 1'-3")
FPTP454516(3)D-TS-1000	2	16'-3" (15'-0" + 1'-3")



ANCHOR BOLTS (BY OTHERS):  
 PER ASTM F1554 GRADE 55  
 TOP 10" GALVANIZED (MIN) PER ASTM A153  
 WITH ALL NUTS, FLATWASHERS, AND  
 LOCKWASHERS

		95 GNARLED HOLLOW RD. EAST SETAUKET, N.Y. 11733	
ALUMINUM LIGHT STANDARDS TUBULAR METAL PRODUCTS		TUBULAR PRODUCTS, INC.	
PROJECT: DOT #52 / GLARUS/VERON/DIST: CISCO			
CONTRACTOR: CUMMINGS & TURK		AGENT: ENTERPRISE LTG	
DRAWN BY: SAF	DATE: 04/12/2022	MATERIAL: AS NOTED	
CHK'D BY: SAF	APP'D:	DRAWING #: <b>18208</b>	
SCALE: AS NOTED	WORK ORDER #: 61958		