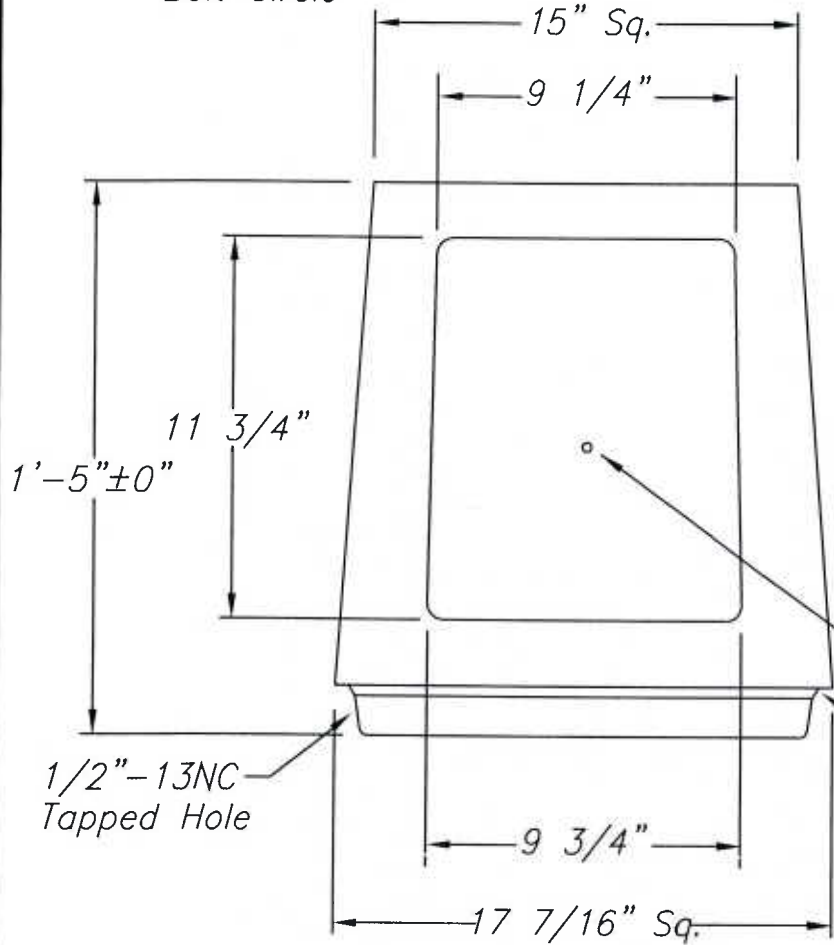


Base Supplied With:

- (1) Door And 1/4"-20NC S.S. Hex. Hd. Scr.
- (2) Four 1" Washers 1/2" Thick x 2 3/4" O.D. (Galv. Per ASTM A153 Or ASTM B695)
- (3) Four 2 3/4" x 4 1/4" x 5/8" Thick Rectangular Washers (Galv. Per ASTM B695)

13" To 15 1/8" Dia.
Bolt Circle



Application Limitations

- (1) Do Not Use With Overhead Wiring
- (2) Maximum Shaft Size (Alum.)
 - A. 17 1/4" Dia. Bottom Bolt Circle-10" x .312"
 - B. 15" Dia. Bottom Bolt Circle-10" x .219"
- (3) Maximum Mounting Height 55'-0"

1/4"-20NC Tapped Hole (Back Wall)

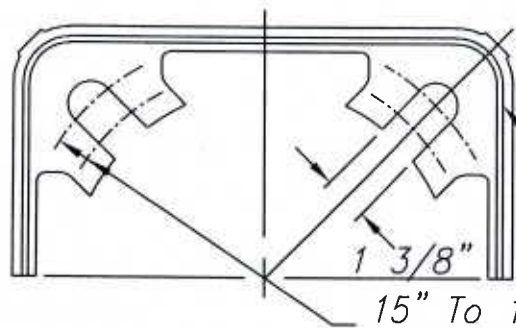
4043 Weld Wire (Heat Treat After Welding)

5/16

1/2"-13NC Tapped Hole

AKRON FOUNDRY TB3-AF- 1517-17 I.W.
(TB3-17")

MATERIAL: Alum. Alloy 356-T6



Approximately 5" Of Weld On Each Of Four Corners

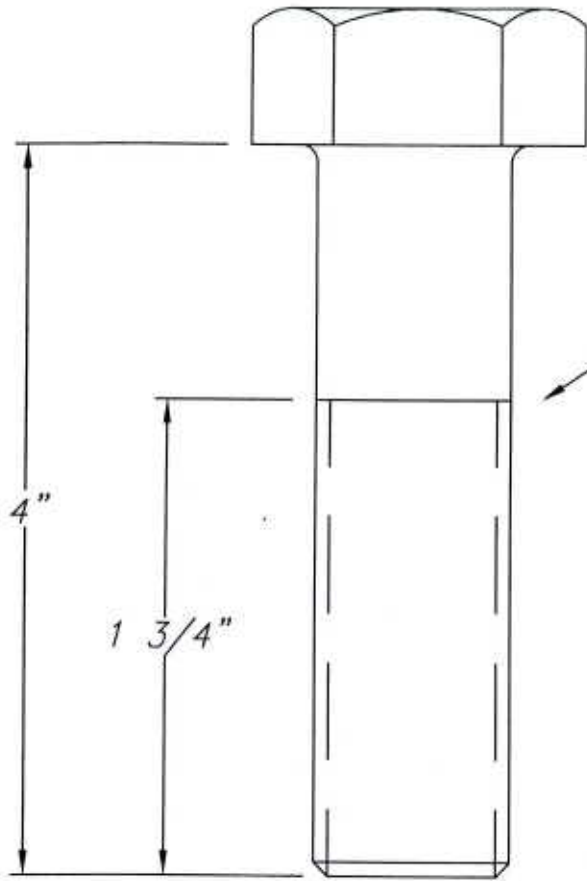
1/4

15" To 17 1/4" Dia.
Bolt Circle

NO.	REVISIONS	DATE
1	TB3-17", Item #3 & Application Notes Added; Item #2 Qty.=8	10/9/90
2	Redrawn; LW	7/2/92
3	Galv Revised (kdp)	6/22/10

hapco
Abingdon, Va.

TITLE BREAKAWAY TRANSFORMER BASE	
CUSTOMER	
SCALE 6	DATE 03/23/1990
BY LW	DWG. NO.
CHK'D	A70521



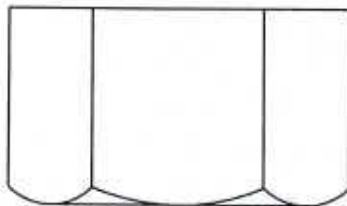
(4) 1"-8NC-2A Heavy Hex. Hd. Steel Bolt Per ASTM A325 Type 1 & Galv. Per ASTM A153, Class C (67811)



(4) 1" Hardened Steel Flatwasher, 2" O.D., Per ASTM F436, Type 1, Galv. Per ASTM B695, Class 55 (47180)



(4) 1" Steel Lockwasher, Galv. Per ASTM A153, Class C or ASTM B695, Class 55 (40447)



(4) 1"-8NC Heavy Hex. Nut Per ASTM A563 Grade DH And Galv. Per ASTM A153, Class C (40449)

NO.	REVISIONS	DATE
1	Galv. Class & Spec. Revised	5/04

hapco
Abingdon, Va.

TITLE 1" CONNECTING HARDWARE	
CUSTOMER	
SCALE 1	DATE 11/15/1996
BY PS	DWG. NO.
CHK'D	A76341