

TYPE 05 LOWERING DEVICE

TOP LATCHING, CENTERING SYSTEM WITH INTERNAL WINCH

DEVICE SERIES	NUMBER OF CIRCUITS	QUANTITY OF FIXTURES	FIXTURE SERIES	WATTAGE & SOURCE OF FIXTURES
05	1 CIRCUIT	02 TWO (2)	HL HMAO LED	02 02 MODULE LED
	2 CIRCUITS	03 THREE (3)	HM HMAO	03 03 MODULE LED
		04 FOUR (4)	HC HMSC	04 04 MODULE LED
		05 FIVE (5)	HA HMSP ASYMMETRIC	05 05 MODULE LED
		06 SIX (6)	HS HMSP SYMMETRIC	06 06 MODULE LED
		07 SEVEN (7)	HT HMST	07 07 MODULE LED
		08 EIGHT (8)	MY G MONGOOSE	08 08 MODULE LED
		09 NINE (9)	PB PB2	09 09 MODULE LED
		10 TEN (10)	PF PF	11 11 MODULE LED
		12 TWELVE (12)	ACP1LED AEL COMPACT LED	12 12 MODULE LED
			ACP2LED AEL COMPACT LED	14 14 MODULE LED
			MGLED MONGOOSE LED	4H 400W HPS
		PLLED PREDATOR LARGE LED	4M 400W MH	
		PMLD PREDATOR MED LED	4R 400W HPS MAGREG	
		HMLED2 HMLED2	7H 750W HPS	
			7M 750W MH	
			1H 1000W HPS	
			1M 1000W MH	
			5M 1500W MH	
			6M 1650W MH	

FREQUENCY, VOLTAGE & PHASING	POLE HEIGHT	CABLE TYPE
A 120V SINGLE PHASE	050 50 FEET	A GALVANIZED - 1/4" WINCH
B 120/208V 3 PHASE-4 WIRE	060 60 FEET	B GALVANIZED - 5/16" WINCH
C 208V SINGLE PHASE	070 70 FEET	C STAINLESS STEEL - 1/4" WINCH
D 208V 3 PHASE	080 80 FEET	D STAINLESS STEEL - 5/16" WINCH
E 240V SINGLE PHASE LL	090 90 FEET	
F 240V SINGLE PHASE LN	100 100 FEET	
G 277V SINGLE PHASE	110 110 FEET	
H 277/480V 3 PHASE-4 WIRE	120 120 FEET	
J 347/600V 3 PHASE-4 WIRE	130 130 FEET	
K 480V SINGLE PHASE	140 140 FEET	
L 480V 3 PHASE	150 150 FEET	
	15M 15 METERS	
	20M 20 METERS	
	25M 25 METERS	
	30M 30 METERS	
	35M 35 METERS	
	40M 40 METERS	
	45M 45 METERS	

OPTIONS	ACCESSORIES
1 LIGHTNING ARRESTOR - CB ENCLOSURE	LDM-W-X-Y-Z PORTABLE DRIVE MOTOR
2 LIGHTNING ARRESTOR - RING J-BOX	SEE SHEET 5 FOR LETTER DESIGNATIONS
3 TERMINAL BLOCKS, LIGHTNING ARRESTOR & ROD AVAILABILITY LIMITED TO SINGLE CIRCUIT TYPE K	09249 LEVELING BLOCK ASSEMBLY
R PHOTOCONTROL RECEPTACLE - RING J-BOX	
FAA1 SINGLE WARNING LIGHT	
FAA2 DOUBLE WARNING LIGHT	
FAA2TR DOUBLE WITH TRANSFER RELAY	
FWC FIXED WIREWAY COVER ON RING	
LR LIGHTNING ROD	

CATALOG NUMBER

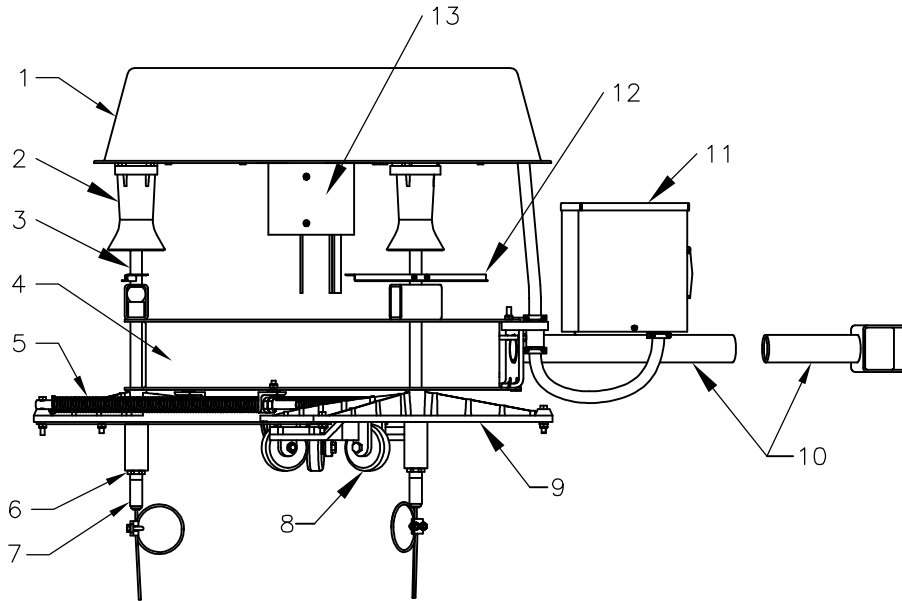
05



ORDER NO: _____
TYPE: _____

DRAWING NO. _____
CAD MODEL: LD05.DWG
DATE: 2/5/15
Sheet 1 of 5

TYPE 05 HEADFRAME AND RING ASSEMBLY

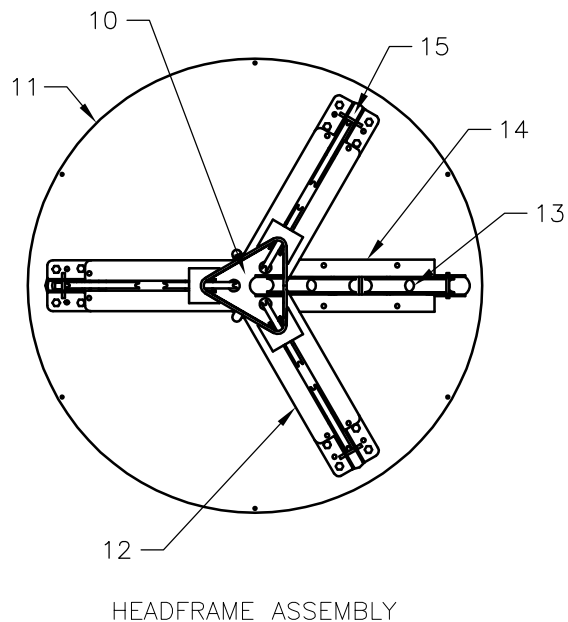
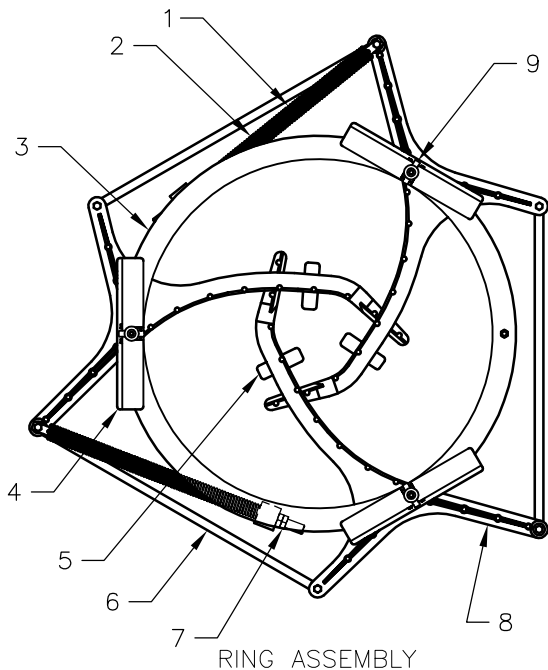


EPA = 5.62 SQUARE FEET
 WEIGHT = 250 POUNDS
 DIAMETER OF ASSEMBLY WITH LUMINAIRES VARIES FROM 8 TO 11 FEET

1. SPUN COPPER FREE ALUMINUM COVER
2. CAST HIGH STRENGTH COPPER FREE ALUMINUM LATCH BARREL
3. STAINLESS STEEL LATCH PIN
4. GALVANIZED STEEL LUMINAIRE RING
5. STAINLESS STEEL CENTERING SPRING
6. STEEL ADJUSTMENT NUT
7. STRANVISE WIRE ROPE GRIP
8. NON MARKING GUIDE ARM ROLLER
9. CAST ALUMINUM IRIS GUIDE ARM
10. GALVANIZED LUMINAIRE MOUNTING ARMS, LUMINAIRE TYPE DEPENDENT
11. JUNCTION BOX
12. REFLECTING LATCH INDICATOR
13. GALVANIZED HEADFRAME, SLIPFITS A 4.63 TO 4.75 O.D. POLE TOP OR TENON

SCALE 1/16

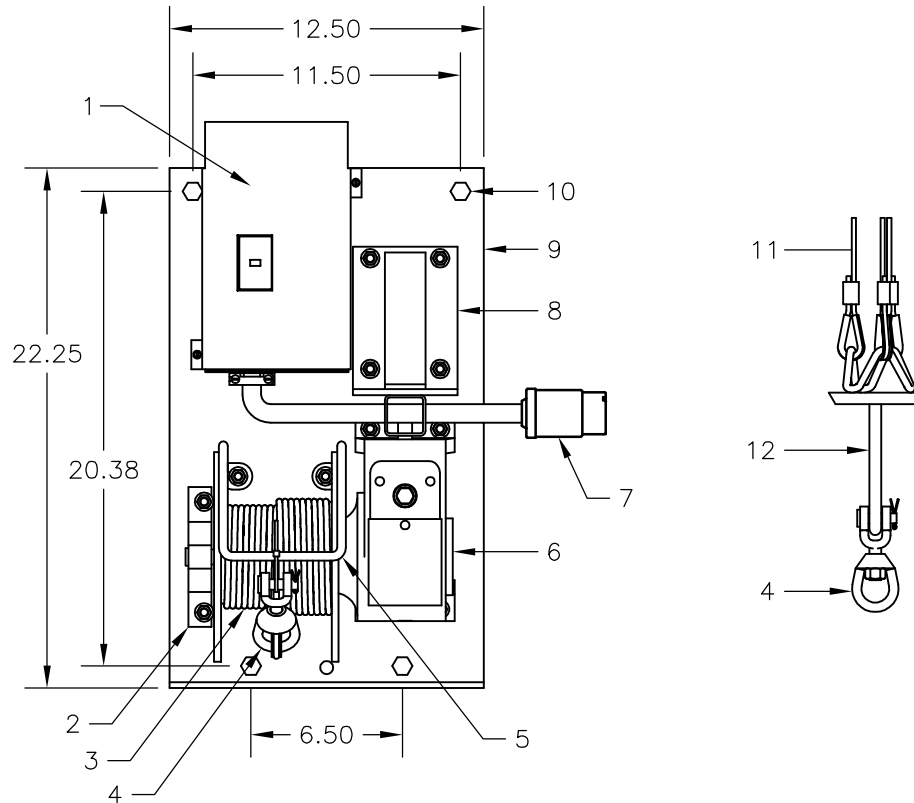
TYPE 05 HEADFRAME AND RING ASSEMBLY



- | |
|---|
| <ol style="list-style-type: none"> 1. STAINLESS STEEL CENTERING COMPRESSION SPRING 2. SOLID ALUMINUM GUIDE ROD 3. GALVANIZED STEEL LUMINAIRE RING 4. REFLECTING LATCH INDICATOR 5. NON MARKING GUIDE ARM ROLLER 6. ALUMINUM GUIDE ARM CONNECTING BRACKET 7. GUIDE ARM ADJUSTMENT NUT 8. CAST ALUMINUM IRIS GUIDE ARM 9. STAINLESS STEEL LATCH PIN 10. STEEL CABLE / CORD SEPARATOR WELDED IN SLIPFITTER 11. STEEL HEADFRAME PLATE 12. STEEL HOIST CABLE BRACKET 13. ACETAL RESIN CORD ROLLERS 14. STEEL POWER CORD ROLLER BRACKET 15. STEEL HOIST CABLE SHEAVE |
|---|

SCALE 1/16

TYPE 05 WINCH PLATE ASSEMBLY

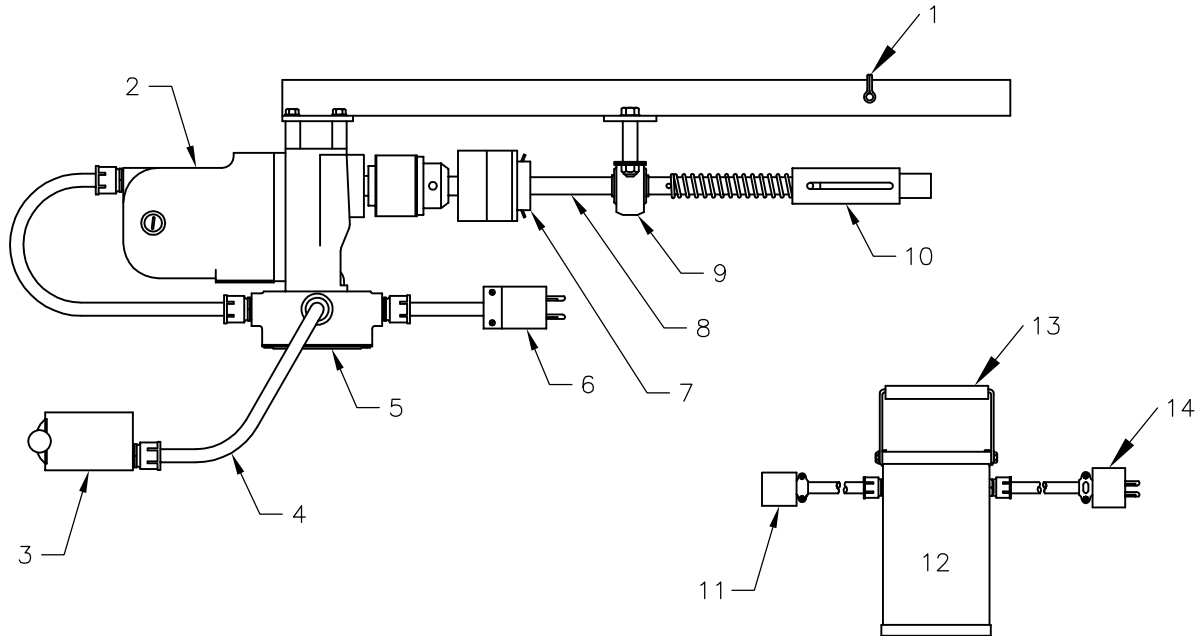


1. CIRCUIT BREAKER OR BREAKERS AND ENCLOSURE
2. WINCH OUTBOARD SUPPORT
3. 1/4" OR 5/16" DIAMETER WINCH CABLE, GALVANIZED OR STAINLESS STEEL LENGTH EQUALS POLE HEIGHT PLUS 6 FEET
4. FORGED STEEL SWIVEL, 11,000 POUND ULTIMATE STRENGTH
5. WINCH CABLE GUARD
6. WINCH, 30:1 GEAR RATIO WITH INTERNAL DRAG BRAKE
7. POWER SUPPLY CORD AND CONNECTOR
8. STEEL POWER UNIT MOUNTING BRACKET
9. STEEL WINCH PLATE
10. 1/2-13 MOUNTING BOLT
11. 3/16" DIAMETER HOIST CABLES, GALVANIZED OR STAINLESS STEEL
12. STEEL CLEVIS TRANSITION ASSEMBLY

SCALE 1/16

LDM 1 1 240 30

TYPE 05 PORTABLE DRIVE MOTOR
LDM-W-X-Y-Z



1. HITCH PIN
2. 3/4" REVERSIBLE ELECTRIC MOTOR, 120 VOLTS, 11.5 AMP, 350 RPM
3. REVERSING DRUM SWITCH
4. CONTROL CORD, 20 FOOT LENGTH
5. WIRING HOUSING
6. PLUG TO MATE TO CONNECTOR IN POLE BASE OR TRANSFORMER SECONDARY
7. TORQUE LIMITER COUPLING
8. 3/4" STEEL SHAFT
9. PILLOWBLOCK
10. 5/8" HEX SOCKET CRANK SHAFT COUPLING
11. CONNECTOR TO MOTOR FROM 120V TRANSFORMER SECONDARY
12. STEPDOWN TRANSFORMER, 120V SECONDARY, 1.5 KVA FOR 240V, 277V AND 480V, 2.0 KVA FOR 208V
13. 1/2" CARRY HANDLE
14. PLUG TO CONNECTOR IN POLE BASE FROM TRANSFORMER PRIMARY

TYPICAL CATALOG NUMBER IS LDM-W-X-Y-Z WHERE:

- W = NUMBER OF CIRCUITS (1 OR 2)
- X = PHASE (1 FOR SINGLE PHASE, 3 FOR 3 PHASE OR 4 FOR 3 PHASE/4 WIRE)
- Y = VOLTAGE (120, 208, 240, 277, 480 OR 600)
- Z = AMPS (25, 30, 35, 45, 50, 60 OR 70)

CATALOG NUMBER LDM-