



Contempo LED Series 245L

PRODUCT OVERVIEW

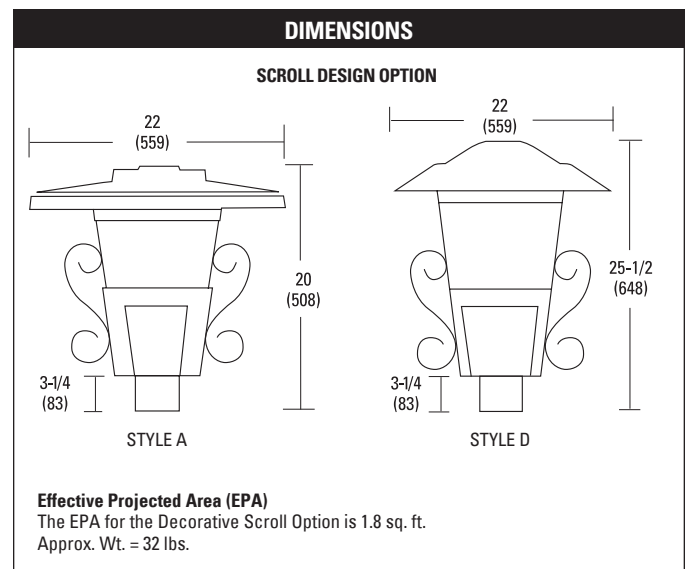
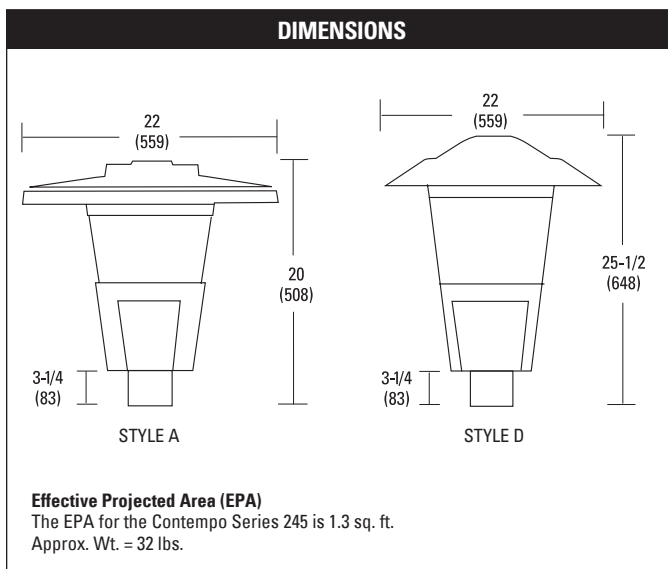


Features:

- Die-cast aluminum housing and spun aluminum hood for long-life performance
- Optical assembly designed for maximum performance, available in Type II, Type III and Type V
- Multi-gasketing to provide weatherproof protection of optical assembly for full illumination performance
- Hinged hood and captive screw latching provision afford quick, easy access to electrical and optical area for servicing
- Available with two different style hoods and an added scroll option for a more decorative look
- Cone mounting fitter with three set screws allows secure installation to pole sizes 2-3/8" or 3" O.D.
- Prismatic reflectors available in acrylic, glass and polycarbonate
- Rain pattern lens available in acrylic or polycarbonate
- Complies with ANSI: C136.2, C136.10, C136.15
- CSA listed and suitable for up to 30°C ambient
- Rated L70, LED life greater than 100,000 hours at 25°C
- Replaces up to 150W HPS light source incumbent models

Applications:

- Streetscapes
- Walkways
- Pathways
- Parks



All dimensions are inches (millimeters) unless otherwise noted.

Note: Specifications subject to change without notice.

Contempo Series 245L LED



Contempo LED

Series 245L

ORDERING INFORMATION

Example: 245L 20LEDE70 MVOLT 4K R2 RNA

Series	Performance Package	Voltage	Color Temperature (CCT)
245L Contempo LED	20LEDE10 20 Chips, 1050 mA Driver, 71 input watts 20LEDE70 20 Chips, 700 mA Driver, 44 input watts 10LEDE10 10 Chips, 1050 mA Driver, 38 input watts 10LEDE70 10 Chips, 700 mA Driver, 26 input watts 10LEDE53 10 Chips, 525 mA Driver, 19 input watts 10LEDE35 10 Chips, 350 mA Driver, 13 input watts	MVOLT Multi-volt, 120-277V 347 347V 480 480V	3K 3000K 4K 4000K 5K 5000K

Distribution	Optics	Options	
R2 Type II R3 Type III R5 Type V	GL² Glass AY¹ Acrylic PY¹ Polycarbonate RNA Rain Pattern Acrylic RNP Rain Pattern Polycarbonate	<u>Paint</u> ³ (blank) Gray (standard) BK Black DDB Dark Bronze WH White BZ Bronze <u>Photocontrol</u> (blank) 3 pin NEMA Photocontrol Receptacle (standard) NR² No Photocontrol Receptacle P5 5 pin NEMA Photocontrol Receptacle (dimnable driver included) P7 7 pin NEMA Photocontrol Receptacle (dimnable driver included) PCSS^{4,5} Solid State Lighting Photocontrol (120-277V) PCLL^{4,5} Solid State Long Life Photocontrol	<u>Hood Style</u> (blank) Style A SD Style D <u>Miscellaneous</u> SS Stainless steel hardware NL NEMA Label XL Not CSA Listed SH Shorting Cap DE⁸ ROAM Dimming Enabled DM DM 0V-10V dimmable driver only (leads attached) DD⁵ Decorative scroll design CR Enhanced Corrosion Resistant Finish

Notes:

1. Available in R2 & R5 only
2. Available in R3 & R5 only
3. Other colors available, please contact factory
4. PC and SH not available with NR option
5. Scroll color must be specified
6. Standard failure mode="Fail Off"
7. Photocontrols supplied with ANSI Standard Turn-On levels
8. Specifies a ROAM dimming enabled fixture with a dimming control module factory installed. NEMA photocontrol receptacle required. Additional hardware and services required. ROAM deployment must be purchased separately.



AEL Headquarters, 3825 Columbus Road, Granville, OH 43023

© 2008-2015 Acuity Brands Lighting, Inc. All Rights Reserved. 01/19/15

Warranty Five-year limited warranty. Complete warranty terms located at www.acuitybrands.com/CustomerResources/Terms_and_conditions.aspx. Actual performance may differ as a result of end-user environment and application. Specifications subject to change without notice.

Visit our web site at www.americanelectricalighting.com
 Please contact your sales representative for the latest product information.

OPERATING CHARACTERISTICS

DLC products are listed in **BOLD**
 Non DLC products are indicated by shaded box

LED Quantity, mA, CCT	Input Watts	TOTAL LUMENS				
		R2-AY	R5-AY	R2-PY	R2-GL	R5-GL
20LEDE10 3k	71	2834	3298	2421	2956	3016
20LEDE10 4k	71	3565	4148	3045	3718	3492
20LEDE10 5k	71	3843	4472	3280	4008	4086
20LEDE70 3k	44	2175	2530	1854	2268	2323
20LEDE70 4k	44	2745	3194	2317	2863	2904
20LEDE70 5k	44	2959	3443	2531	3086	3153
10LEDE10 3k	38	1515	1763	1291	1562	1601
10LEDE10 4k	38	1904	2215	1626	1971	2016
10LEDE10 5k	38	2252	2389	1750	2119	2174
10LEDE70 3k	26	1141	1327	984	1197	1203
10LEDE70 4k	26	1462	1701	1237	1506	1535
10LEDE70 5k	26	1569	1825	1333	1621	1659
10LEDE53 3k	19	902	1050	770	937	954
10LEDE53 4k	19	1134	1319	966	1179	1199
10LEDE53 5k	19	1223	1423	1041	1268	1294
10LEDE35 3k	13	755	813	553	673	685
10LEDE35 4k	13	813	946	695	844	863
10LEDE35 5k	13	877	1020	749	911	929

DLC products are listed in **BOLD**
 Non DLC products are indicated by shaded box

LED Quantity, mA, CCT	Input Watts	TOTAL LUMENS					
		R2-RNA	R3-RNA	R5-RNA	R2-RNP	R3-RNP	R5-RNP
20LEDE10 3k	71	3522	3713	4183	3277	3486	3919
20LEDE10 4k	71	4230	4671	5262	4121	4385	4930
20LEDE10 5k	71	4775	5035	5673	4443	4727	5314
20LEDE70 3k	44	3696	2842	3202	2498	2658	2988
20LEDE70 4k	44	3391	3575	4028	3142	3343	3759
20LEDE70 5k	44	3655	3854	4342	3387	3604	4052
10LEDE10 3k	38	1921	2025	2282	1788	1903	2139
10LEDE10 4k	38	2417	2547	2870	2249	2393	2691
10LEDE10 5k	38	2605	2746	3094	2425	2580	2901
10LEDE70 3k	26	1438	1516	1708	1338	1423	1600
10LEDE70 4k	26	1809	1907	2149	1683	1791	2013
10LEDE70 5k	26	1950	2056	2317	1814	1930	2170
10LEDE53 3k	19	1113	1174	1322	1038	1104	1241
10LEDE53 4k	19	1400	1476	1663	1305	1389	1561
10LEDE53 5k	19	1509	1591	1793	1407	1497	1683
10LEDE35 3k	13	798	842	948	746	794	892
10LEDE35 4k	13	1004	1059	1193	938	998	1122
10LEDE35 5k	13	1082	1141	1286	1011	1076	1210



AEL Headquarters, 3825 Columbus Road, Granville, OH 43023

© 2008-2015 Acuity Brands Lighting, Inc. All Rights Reserved. 01/19/15

Warranty Five-year limited warranty. Complete warranty terms located at www.acuitybrands.com/CustomResources/Terms_and_conditions.aspx
 Actual performance may differ as a result of end-user environment and application.
 Specifications subject to change without notice.

Visit our web site at www.americanelectricalighting.com
 Please contact your sales representative for the latest product information.