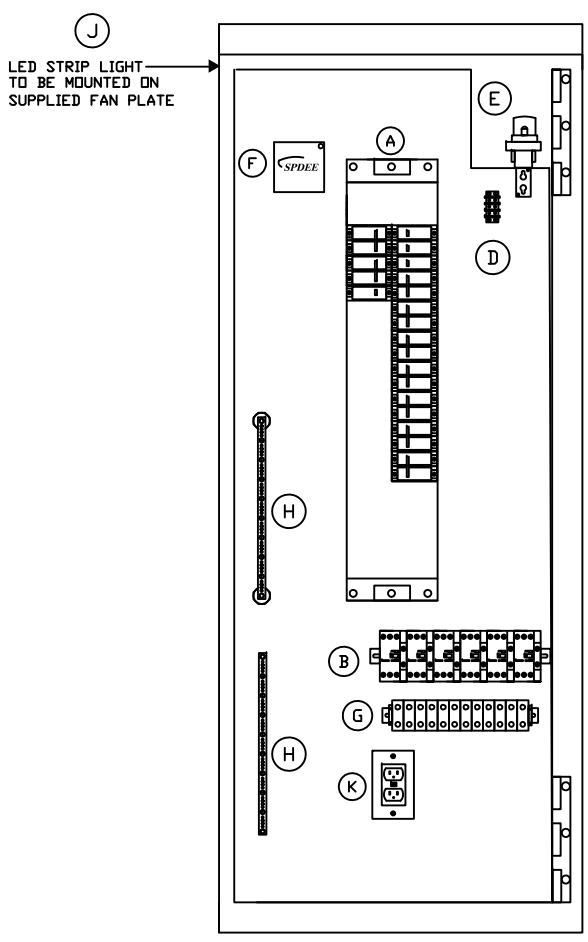


BILL OF MATERIALS

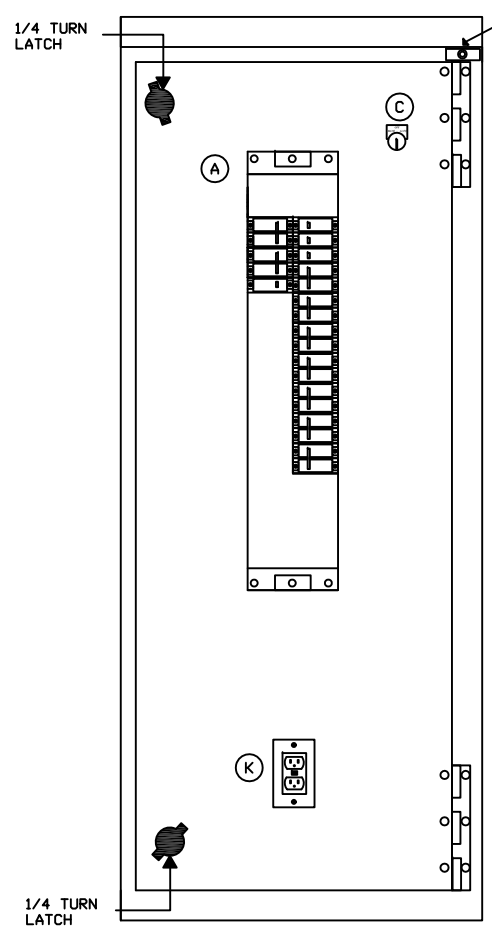
ITEM	QTY	DESCRIPTION
A	1	C.H. BR3040INT200B OEM PANEL W/ BRH2100 MAIN QTY. (4) 1P/15A AND (7) 2P/30A BREAKERS
B	6	XTCE032C10A 2P 30A CONTACTOR 120V COIL
C	1	SQ.D 9001KS43BH2 H.O.A. SWITCH
D	1	CINCH 3PT TERMINAL BLOCK
E	1	TORK 5007M TWIST LOCK PHOTOCELL
F	1	SPDEE S50A120V2PN SURGE
G	12	SQ.D 9080GC6 TERMINAL BLOCKS
H	2	PANDUIT UGB2/0-414-12 BUSS BARS
I	1	MICRO BA-2RQ1-A2 DOOR SWITCH
J	1	HOFFMAN LEDA1S35 LED STRIP LIGHT MOUNTED ON FAN PLATE
K	1	HUBBELL GF20ILA RECEPTACLE

- NOTES:
- ALL POWER WIRING WILL BE RHH/RHW
 - ALL CONTROL WIRING WILL BE #12 MTW
 - WIRE COLORS:
BL = BLUE
W = WHITE
B = BLACK
R = RED
Y = YELLOW
 - (#) = PANEL CIRCUIT NUMBER
 - (N) = PANEL NEUTRAL BUS
 - (G) = PANEL GROUND BUS

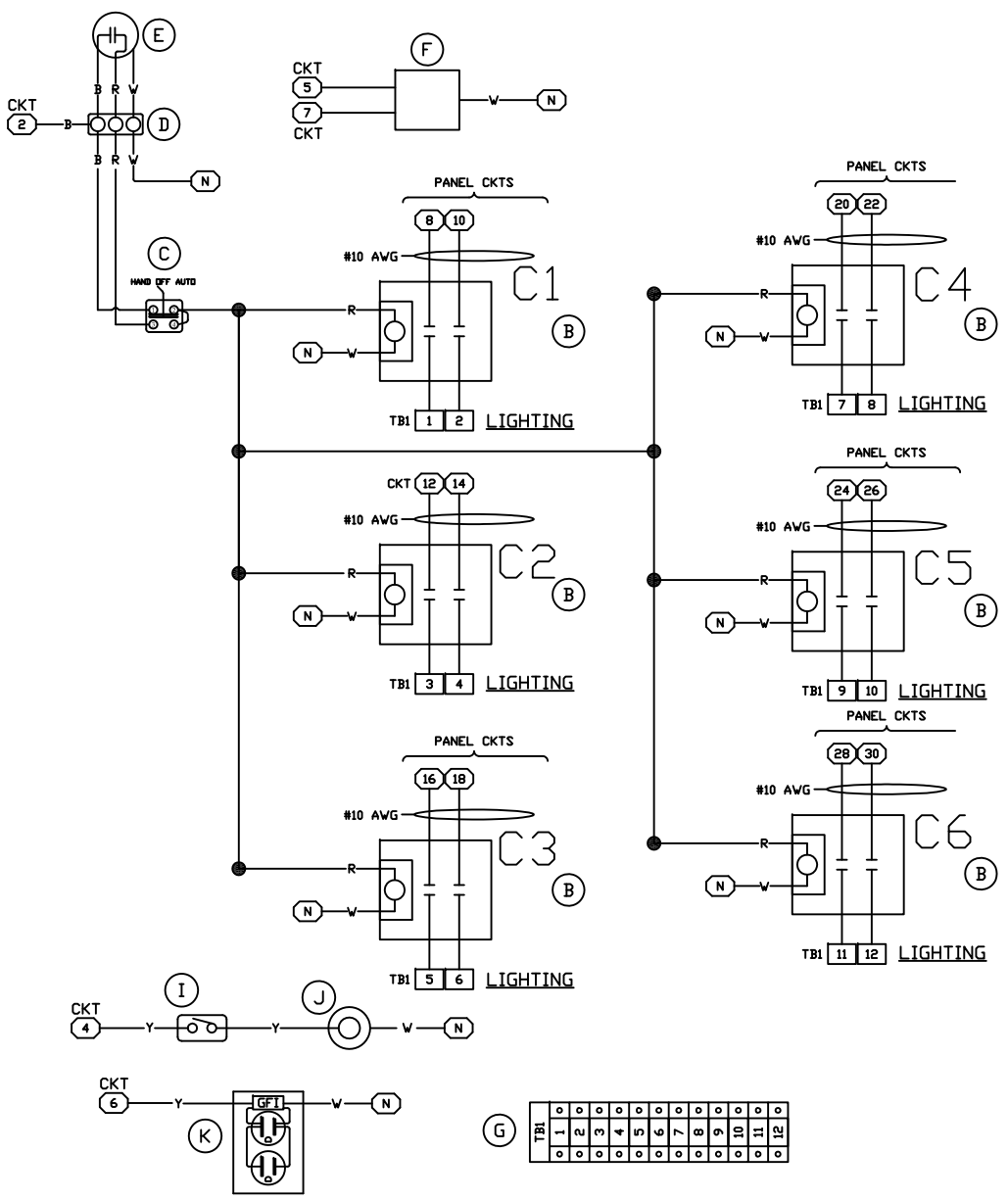
- CONSTRUCTION NOTES:
- CABINET TO BE TYPE NEMA 3R WITH NATURAL ALUMINUM MILL FINISH. W/ ANODIZED CLEAR COAT
- CABINET TO BE FABRICATED FROM .125" ALUMINUM
- EXTERIOR DOOR SHALL BE SEALED WITH CLOSED CELL 3/8" X 1" NEOPRENE GASKETING AND SHALL BE FURNISHED WITH WIND STOP.
- THE CONTROL CABINET SHALL BE U.L LISTED UNDER U.L. 508A



BACK PANEL VIEW
DEAD FRONT REMOVED



DEAD FRONT VIEW
DOOR REMOVED



EXCEL LTD. INC.

888 EAST BELVIDERE ROAD
UNIT 405
GRAYSLAKE, IL. 60030

PHONE: 847-543-9138
FAX: 847-543-9230
WWW.EXCELLTDINC.COM

SCALE: NTS	APPROVED BY:	DRAWN BY: CDB
DATE: 7/14/14		REVISED:

WISDOT CONTROLLER 120/240V 24"

LIGHTING CONTROL CABINET

DRAWING NUMBER:
EXLWI12024