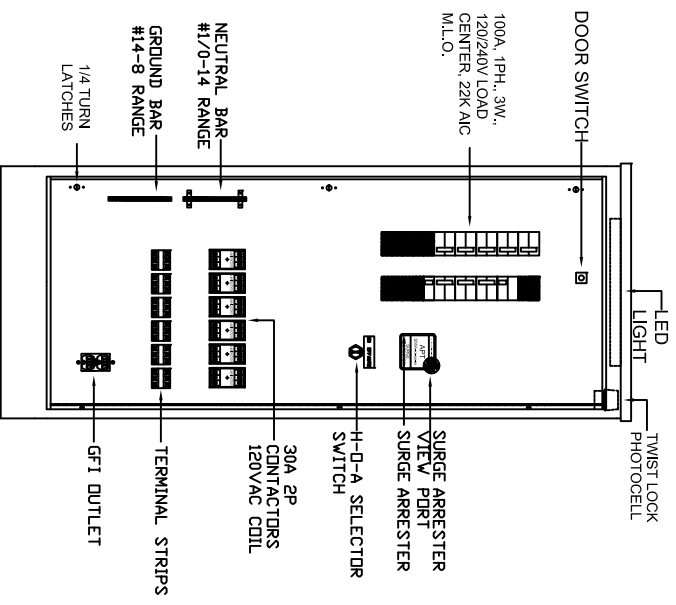


CONSTRUCTION NOTES:

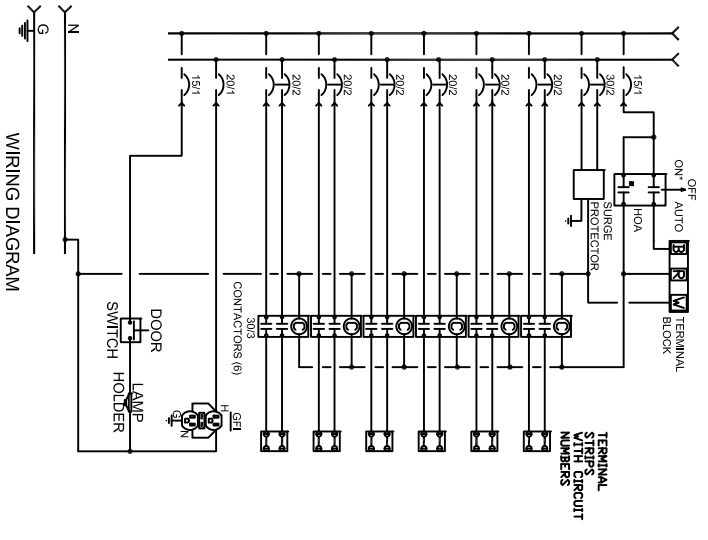
- CABINET TO BE TYPE 3R CONSTRUCTION PER UL 50 REQUIREMENTS.
- CABINET TO BE FABRICATED FROM FORMED AND WELDED .125" ALUMINUM.
- CABINET TO HAVE A CLEAR ANODIZED FINISH TYPE 2
- ALL CABINET EXTERIOR HARDWARE TO BE STAINLESS STEEL.
- EXTERIOR DOOR HELD CLOSED WITH A VAULT TYPE HANDLE AND #2 UTILITY LOCK.
- EXTERIOR DOOR SHALL BE SEALED WITH CLOSED CELL 3/16" X 1" NEOPRENE GASKETING
- EXTERIOR DOOR TO HAVE A STAINLESS STEEL WIND STOP
- HINGED INNER DEAD FRONT TO BE HELD CAPTIVE WITH 1/4 TURN LATCHES.
- 8" X 10" PRINT POCKET ON REAR OF OUTER DOOR.
- THE COMPLETED ASSEMBLY TO BE RATED 22K AIC SHORT CIRCUIT RATING.
- THE COMPLETED ASSEMBLY TO BE UL508A LISTED.

BILL OF MATERIAL:

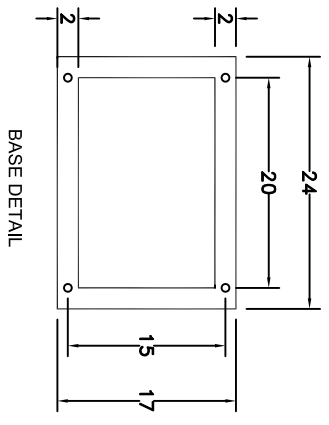
- 30 CIRCUIT, 100A, 1PH., 3W., 120/240V, 22K AIC LOAD CENTER WITH COPPER BUS BAR MAIN LUG ONLY
- 1 - 100A 2P BRANCH BREAKER #Q2100H
- 1 - 30A 2P BRANCH BREAKER #Q2030H
- 6 - 20A 2P BRANCH BREAKER #Q2020H
- 2 - 15A 1P BRANCH BREAKER #Q115H
- 1 - 20A 1P BRANCH BREAKER #Q120H



FRONT VIEW
OUTER DOOR REMOVED



WIRING DIAGRAM



BASE DETAIL

- SURGE PROTECTOR, 50KA SURGE CURRENT CAPACITY ADVANCE PROTECTION TECH, #SS0A120V2PN
- HAND-OFF-AUTO SELECTOR SWITCH ALLEN BRADLEY #800T-J2A
- PHOTOCELL AREA LIGHTING RESEARCH SST-PUAES-UL
- PHOTOCELL BASE AREA LIGHTING RESEARCH AM2-NB
- 30A 3P CONTACTORS (6), 120VAC COIL SIEMENS #LEND0C003-120B
- 3 POINT TERMINAL BLOCKS USD #NDNT11-WH
- GFI OUTLET LEVITON #N899
- LED LIGHT PENTAIR #EDA1535
- DOOR SWITCH HOFFMAN #ALFSWD
- NEOPRENE BASE GASKET SHIPPED LOOSE WITH CABINET

PART NUMBER
WISDOT L24 120/240V



REV. #	DATE	BY	REVISION DESCRIPTION
-	-	-	-

VOLTAGE	PHASE	WIRE	FREQUENCY	S.C. RATING	PHASE BUS	NEUTRAL BUS	BUS MATERIAL	WIRE MATERIAL	COPPER	EXT. LABELS
120-240	1	3	60HZ	22,000	100A	100A	COPPER	COPPER	-	-

CERTIFICATION	ENCL. TYPE	ENCL. MATERIAL	ENCL. PAINT	CONTROL WIRE TYPE	CONTROL WIRE SIZE	WIRE LABELS
UL508A	NEMA 3R	.125 ALUMINUM	CLEAR ANODIZED TYPE 2	MTV	-	-

DRAWN DATE	ENGINEER	CONTRACTOR	DISTRIBUTOR
06/08/15	-	-	-

JOB NAME	SHEET TITLE
WISDOT SUBMITAL	WIDOT LIGHTING CABINET
24" WIDE	120/240 VOLT
-	ELEVATION / SCHEMATIC DRAWING

SERIAL NUMBER	DRAWING TYPE SHEET	SCALE
-	EL/SD	01
ORDER NUMBER	SCALE	-

MISCELLANEOUS NOTES

A

B

C

D

E

F

G

H

A

B

C

D

E

F

G

H