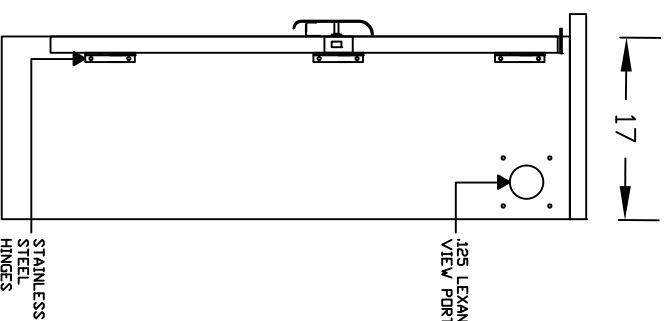
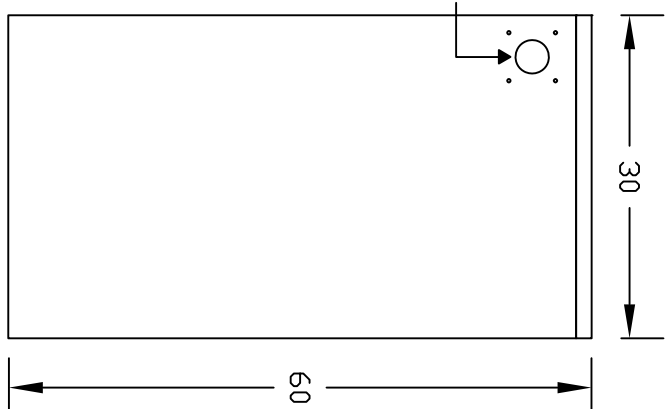


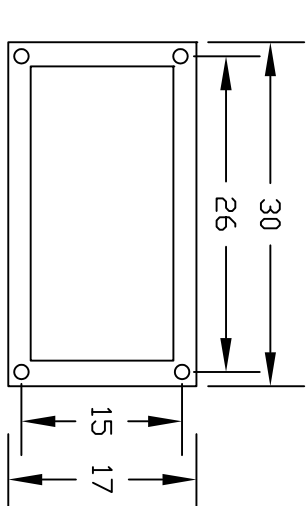
FRONT VIEW



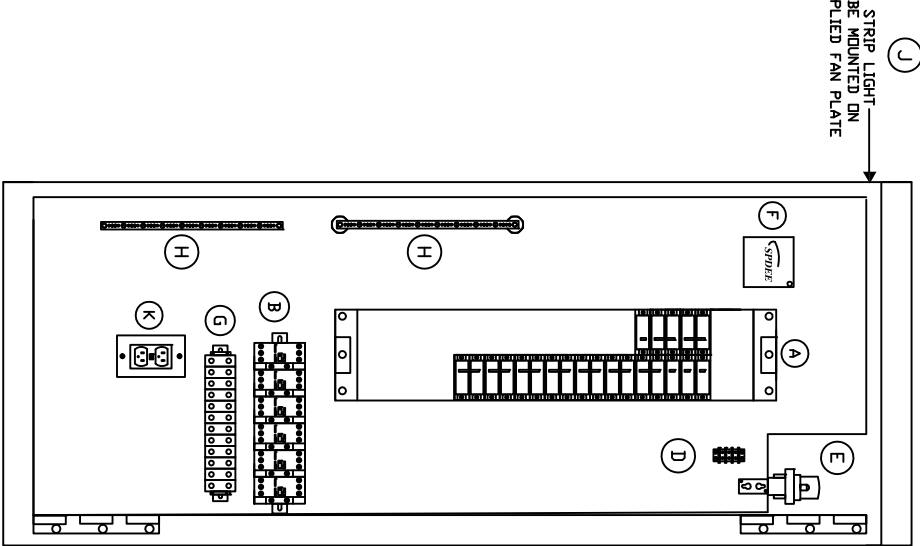
SIDE VIEW



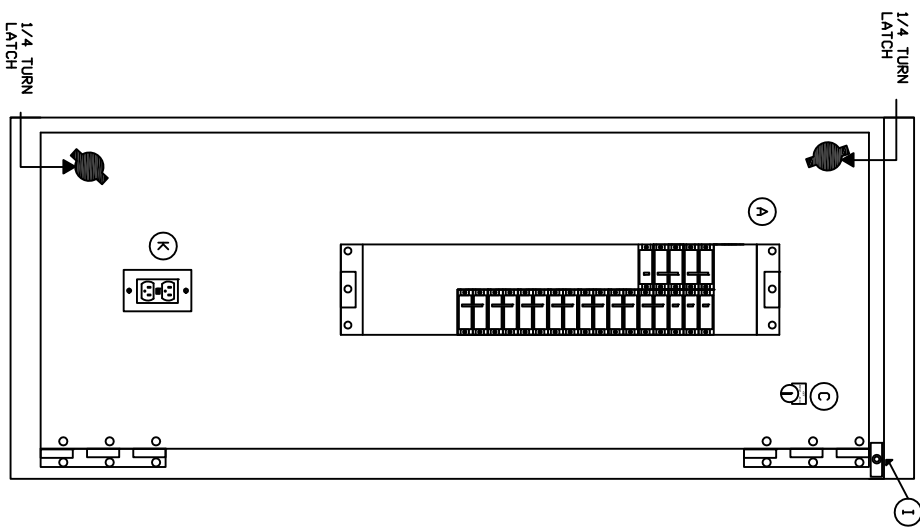
REAR VIEW



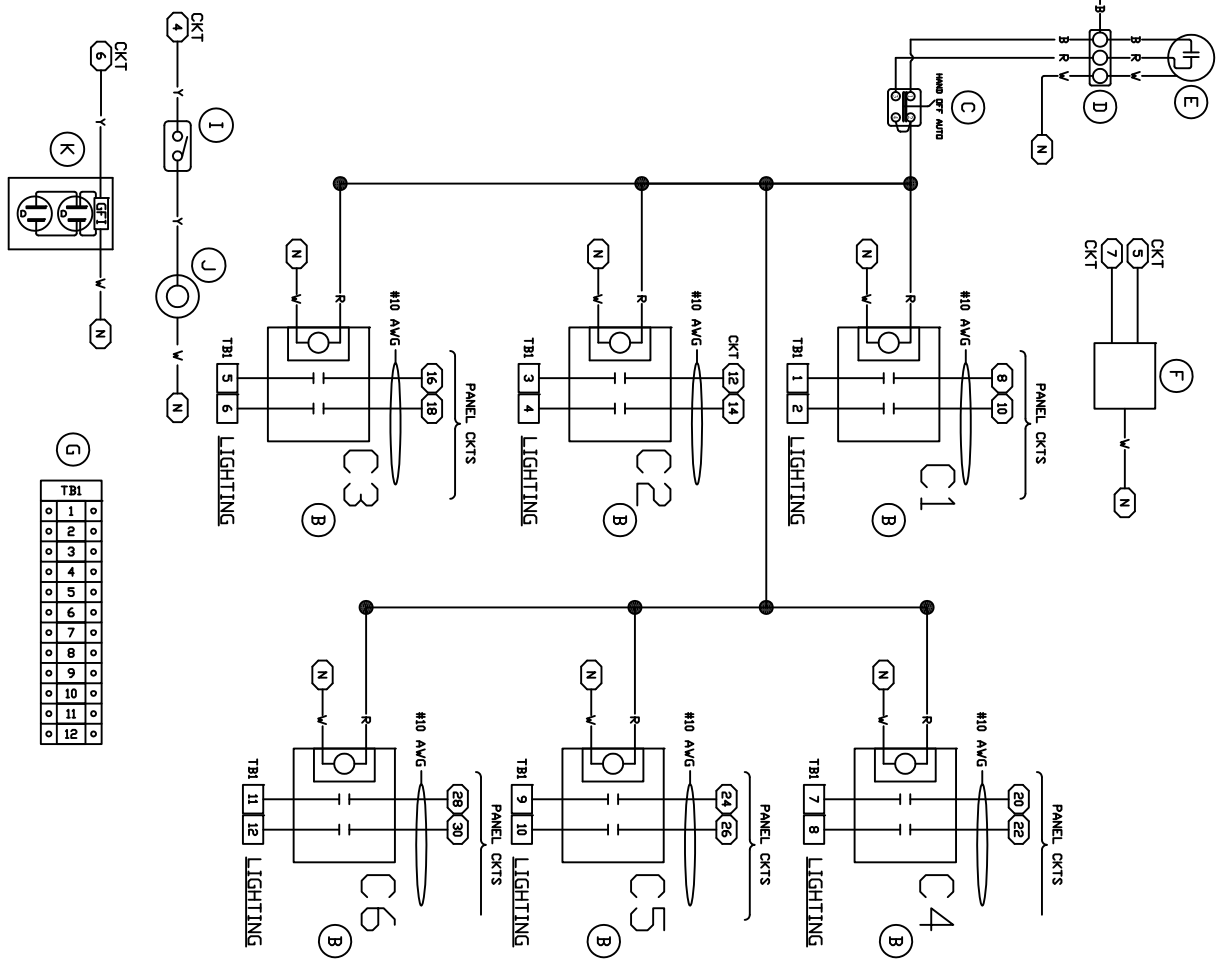
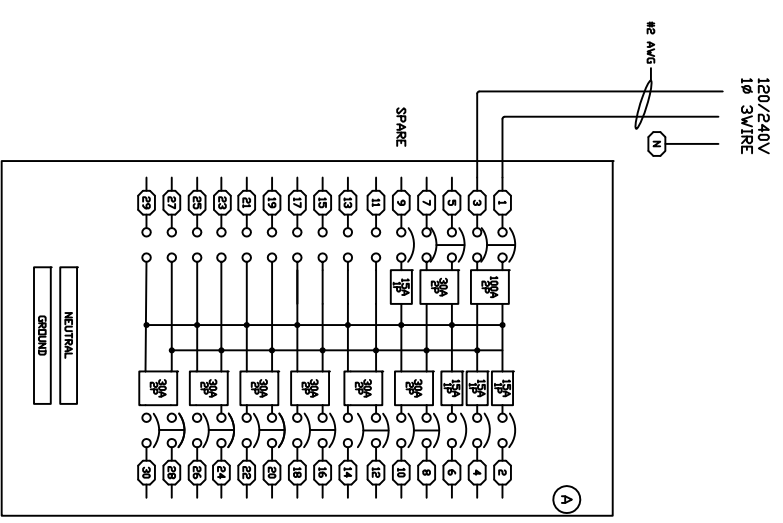
MOUNTING DETAIL



BACK PANEL VIEW
DEAD FRONT REMOVED



DEAD FRONT VIEW
DOOR REMOVED



BILL OF MATERIALS

ITEM	QTY	DESCRIPTION
A	1	C.H. BR3040INT200B DEM PANEL W/ BRH2100 MAIN QTY. (4) 1P/15A AND (7) 2P/30A BREAKERS
B	6	XTCE032C10A 2P 30A CONTACTOR 120V COIL
C	1	SQ.D 9001KSS43BH2 HDA. SWITCH
D	1	CINCH 3PT TERMINAL BLOCK
E	1	TDRK 5007M TWIST LOCK PHOTOCELL
F	1	SPDEE SS0A120V2PN SURGE
G	12	SQ.D 9080GC6 TERMINAL BLOCKS
H	2	PANDUIT UGB2/0-414-12 BUSS BARS
I	1	MICRO BA-2RQ1-A2 DDDR SWITCH
J	1	HOFFMAN LEDA1S35 LED STRIP LIGHT MOUNTED ON FAN PLATE
K	1	HUBBELL GF201LA RECEPTACLE

NOTES:

1. ALL POWER WIRING WILL BE RHH/RHW
2. ALL CONTROL WIRING WILL BE #12 MTW
3. WIRE COLORS:
BL = BLUE
W = WHITE
B = BLACK
R = RED
Y = YELLOW
4. (#) = PANEL CIRCUIT NUMBER
5. (N) = PANEL NEUTRAL BUS
6. (G) = PANEL GROUND BUS

CONSTRUCTION NOTES:

CABINET TO BE TYPE NEMA 3R WITH NATURAL ALUMINUM MILL FINISH, W/ ANDDIZED CLEAR COAT

CABINET TO BE FABRICATED FROM .125" ALUMINUM

EXTERIOR DDDR SHALL BE SEALED WITH CLOSED CELL 3/8" X 1" NEOPRENE GASKETING AND SHALL BE FURNISHED WITH WIND STOP.

THE CONTROL CABINET SHALL BE UL LISTED UNDER UL. 508A



888 EAST BELVIDERE ROAD
UNIT 405
GRAYSLAKE, IL. 60030

PHONE: 847-543-9138
FAX: 847-543-9230
WWW.EXCELLTDINC.COM

SCALE: NTS
DATE: 7/14/14

APPROVED BY: [Signature]
DRAWN BY: CDB
REVISED:

WISDDT CONTRLLER 120/240V 30"

LIGHTING CONTROL CABINET

DRAWING NUMBER: EXL W112030