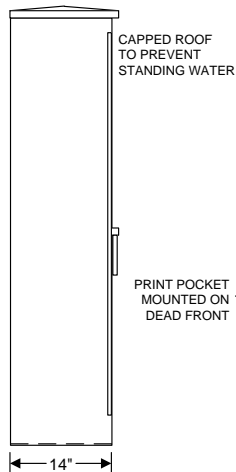
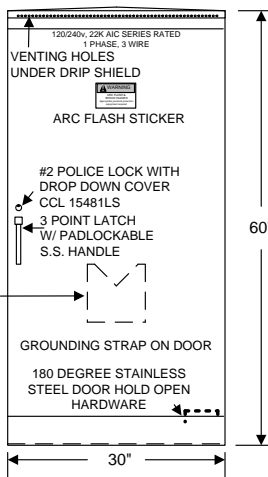


**WISDOT 120/240V 30 WIDE  
LIGHTING CABINET**

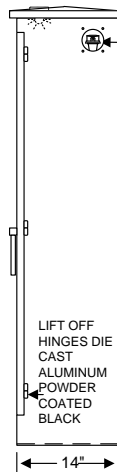
**LEFT SIDE VIEW**



**FRONT VIEW**

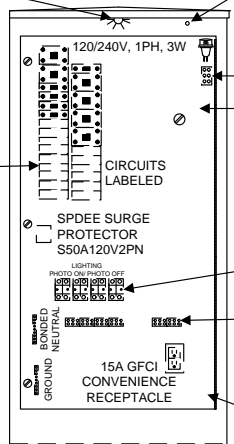


**RIGHT SIDE VIEW**

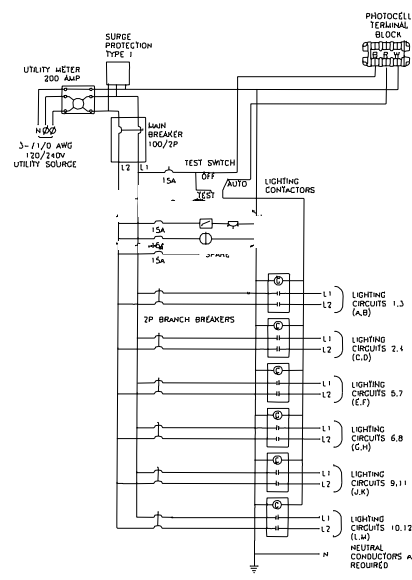


- LED CEILING MOUNT LIGHT PENTAIR LEDA1S35
- LEXAN WINDOW ON SIDE & BACK FOR PHOTOCELL
- SST-PV-IES WITH 30-60 SECOND DELAY
- 30 CKT LOAD CENTER CUTLER HAMMER # BR3030HC100
- 22K AIC SERIES RATED COPPER BUSS
- 100A/2P SERVICE DISCONNECT
- (1) 15A/1P CONTROL POWER BR115
- (1) 30A/2P SURGE PROT. BR230
- (4) 20A/2P LIGHTING BR220
- (1) 15A/1P CONVENIENCE RECEPTACLE BR115
- (1) 15A/1P CABINET LIGHT BR115
- LIFT OFF HINGES DIE CAST ALUMINUM POWDER COATED BLACK

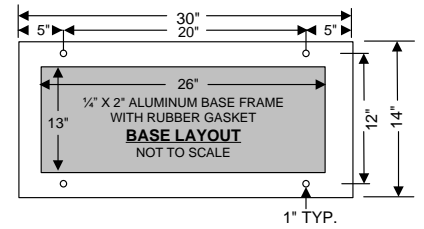
**INTERIOR COMPONENTS**



- BUTTON TYPE LIGHT SWITCH TO TURN LIGHT ON WHEN DOOR IS OPEN
- PHOTOCELL TERMINAL BLOCK
- HAND OFF AUTO SWITCH
- (4) 30A/2P LIGHTING CONTACTORS CUTLER HAMMER XTCE032C10A
- (4) LIGHTING TERMINAL BLOCKS
- (2) RAMP GATE TERMINAL BLOCKS TO HANDLE 10 THRU #2 WIRE
- INTERIOR COMPONENTS MOUNTED ON BACK PANEL BEHIND HINGED DEAD FRONT WITH QUARTER LATCHES



\*CABINET WIRED  
- LIGHTING CIRCUITS- PHOTO ON/  
PHOTO OFF



**BOX CONSTRUCTION:**

- NEMA3R
- 1/8" ALUMINUM 5052-H32
- NEOPRENE GASKET ON DOORS
- STAINLESS STEEL HARDWARE (UNLESS OTHERWISE NOTED)
- ANODIZED 30MIN CLEAR
- ETL LISTED IN ACCORDANCE W/ UL508A

		DBE, SBE, WBE, WBENC & Wisconsin DBE CERTIFIED	PHONE: 651-452-7335 FAX: 651-452-7336 www.povolnyspecialties.com
		7350 COURTHOUSE BLVD. INVER GROVE HGTS., MN 55077	
SCALE: N.T.S.	APPROVED BY:	DRAWN BY: DDM	
DATE:	QUANTITY:	REVISED:	
CUSTOMER:			
PROJECT:			DRAWING NUMBER <b>POVWDL30-120/240</b>
THIS DRAWING IS THE PROPERTY OF POVOLNY SPECIALTIES, INC. PERMISSION TO USE GRANTED ONLY TO THE CONTRACTOR AND PROJECT NOTED ABOVE.			