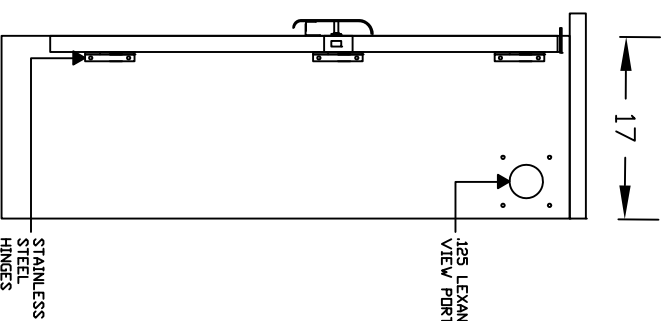
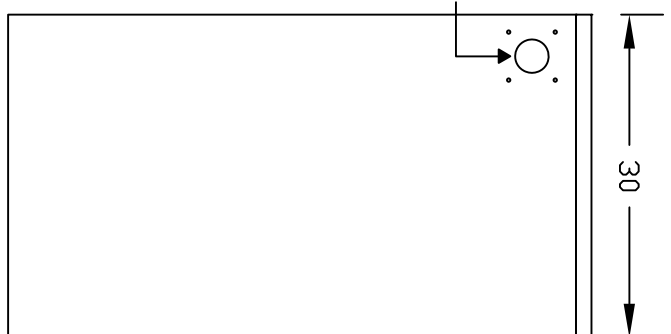


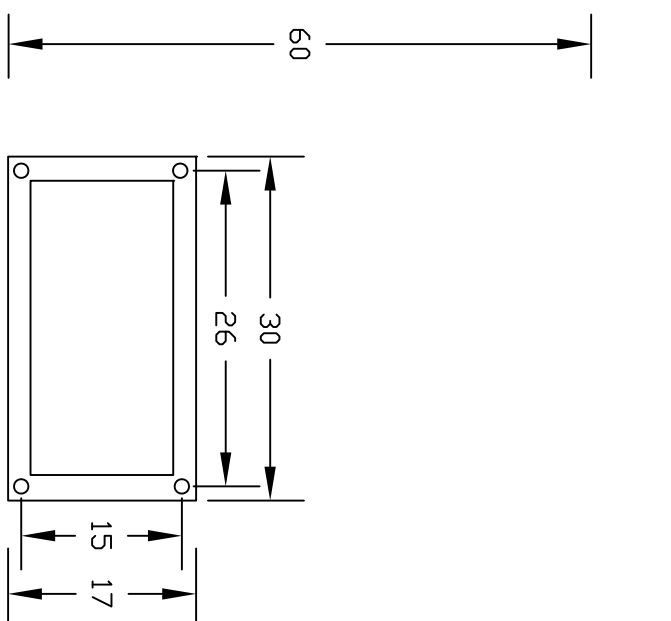
FRONT VIEW



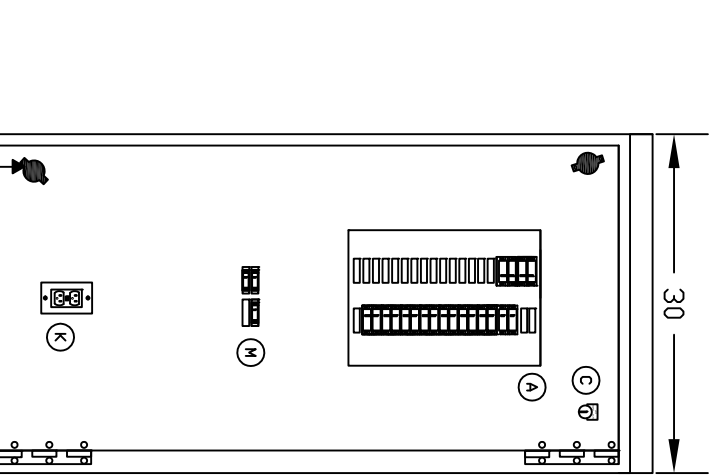
SIDE VIEW



REAR VIEW

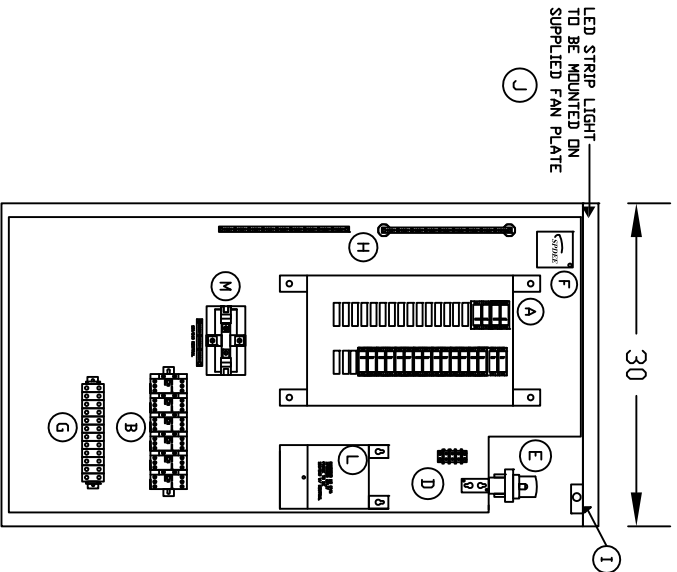


MOUNTING DETAIL

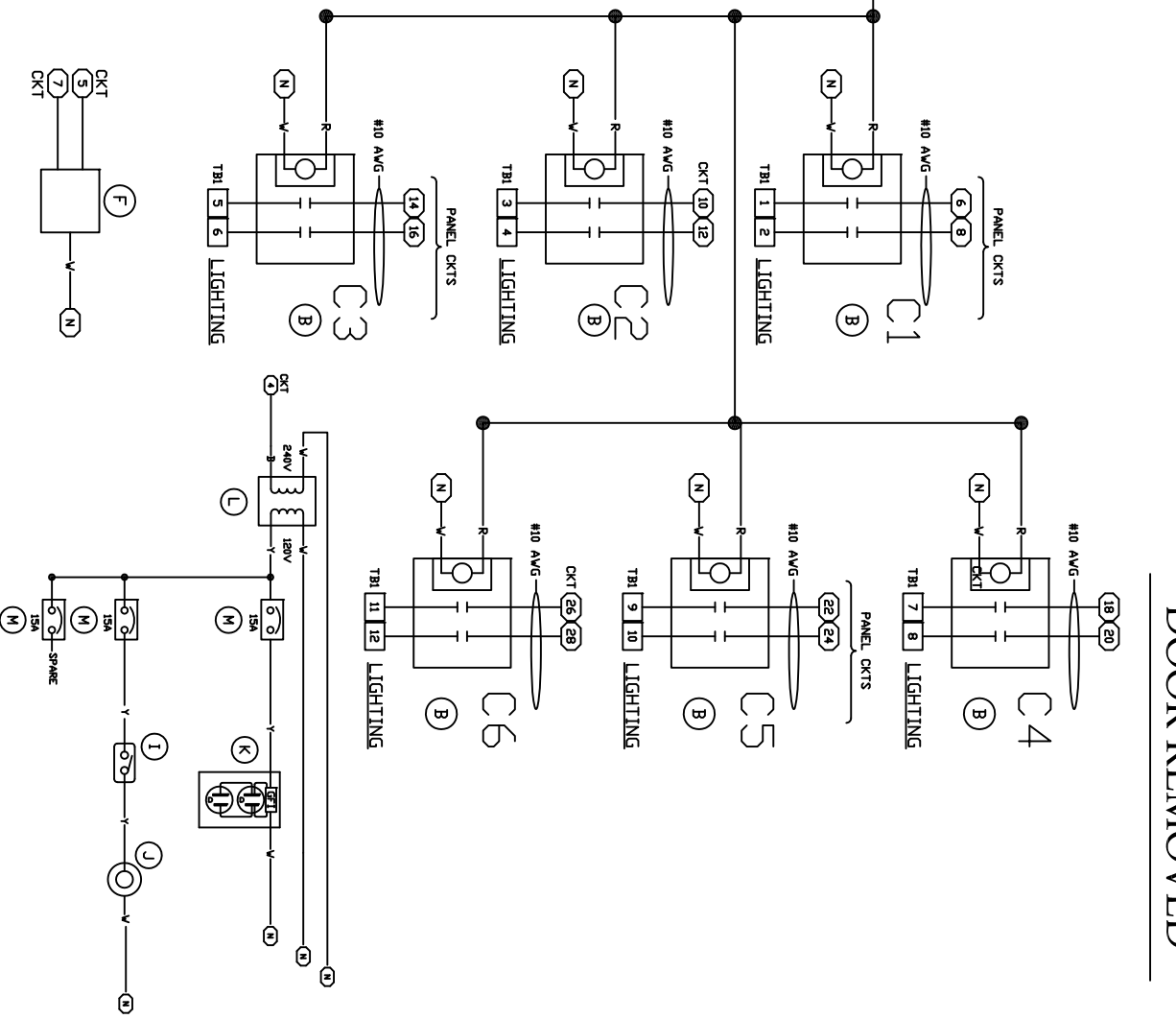
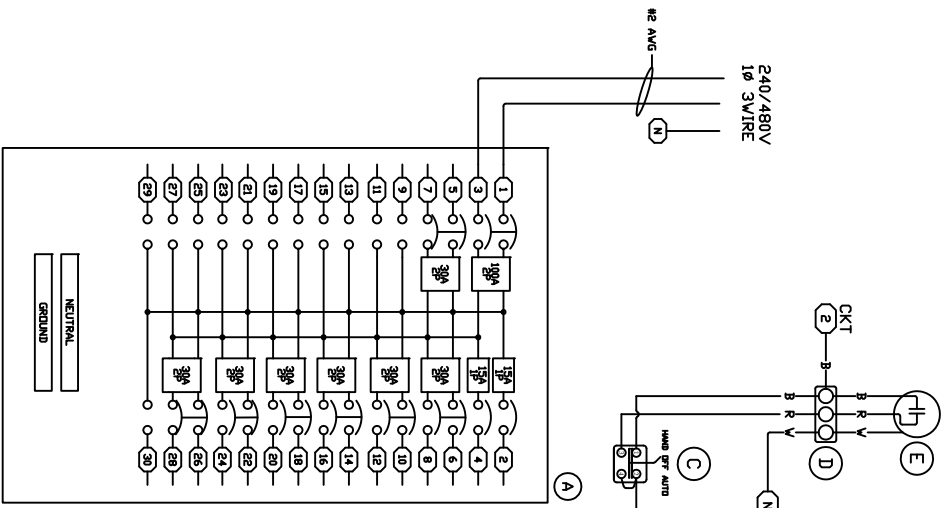


DEAD FRONT VIEW
DOOR REMOVED

ITEM	QTY	DESCRIPTION
A	1	C.H. 30CKT 100A MAIN PANEL BOARD & QTY. (2) 1P/15A AND (7) 2P/30A BRANCH BREAKER
B	6	C.H. XTCE03EC10B 2P/30A 240V COIL
C	1	S.Q.D. 9001KS43BH2 H.D.A. SWITCH
D	1	CINCH 3PT TERMINAL BLDCK
E	1	TORK 5007M TWIST LOCK PHOTOCCELL
F	1	SPDEE S50A27V2PN SURGE
G	12	S.Q.D. 9080GD6 TERMINAL BLDCKS
H	2	PANDUIT UGB2/0-414-12 BUSS BARS
I	1	MICRO BA-2RQ1-A2 DDDR SWITCH
J	1	HOFFMAN LEDA1S35 LED STRIP LIGHT MOUNTED ON FAN PLATE
K	1	HUBBELL GF201LA RECEPTACLE
L	1	HAMMOND C1F1CSLES 1.5KVVA TRANSFORMER
M	3	C.H. CHQ115 1P/15A BREAKERS MOUNTED ON C.H. 48INT125B DEM PANEL



BACK PANEL VIEW
DEAD FRONT REMOVED



NOTES:

- ALL POWER WIRING WILL BE RHH/RHW
- ALL CONTROL WIRING WILL BE #12 MTW
- WIRE COLORS:
BL = BLUE
W = WHITE
B = BLACK
R = RED
Y = YELLOW
- # = PANEL CIRCUIT NUMBER
- (N) = PANEL NEUTRAL BUS
- (G) = PANEL GROUND BUS

CONSTRUCTION NOTES:

CABINET TO BE TYPE NEMA 3R WITH NATURAL ALUMINUM MILL FINISH, W/ ANDIZED CLEAR COAT
CABINET TO BE FABRICATED FROM .125" ALUMINUM
EXTERIOR DOOR SHALL BE SEALED WITH CLOSED CELL 3/4" X 1" NEOPRENE GASKETING AND SHALL BE FURNISHED WITH WIND STOP.
THE CONTROL CABINET SHALL BE UL LISTED UNDER UL 508A

888 EAST BELVIDERE ROAD
UNIT 405
GRAYSLAKE, IL. 60030

PHONE: 847-543-9138
FAX : 847-543-9230
WWW.EXCELLTDINC.COM

EXCEL LTD. INC.

SCALE: NTS
DATE: 7/14/14
APPROVED BY: [Signature]
DRAWN BY: CDB
REVISED:

WISDOT CONTROLLER 240/480V 30"

LIGHTING CONTROL CABINET

DRAWING NUMBER: EXLW148030