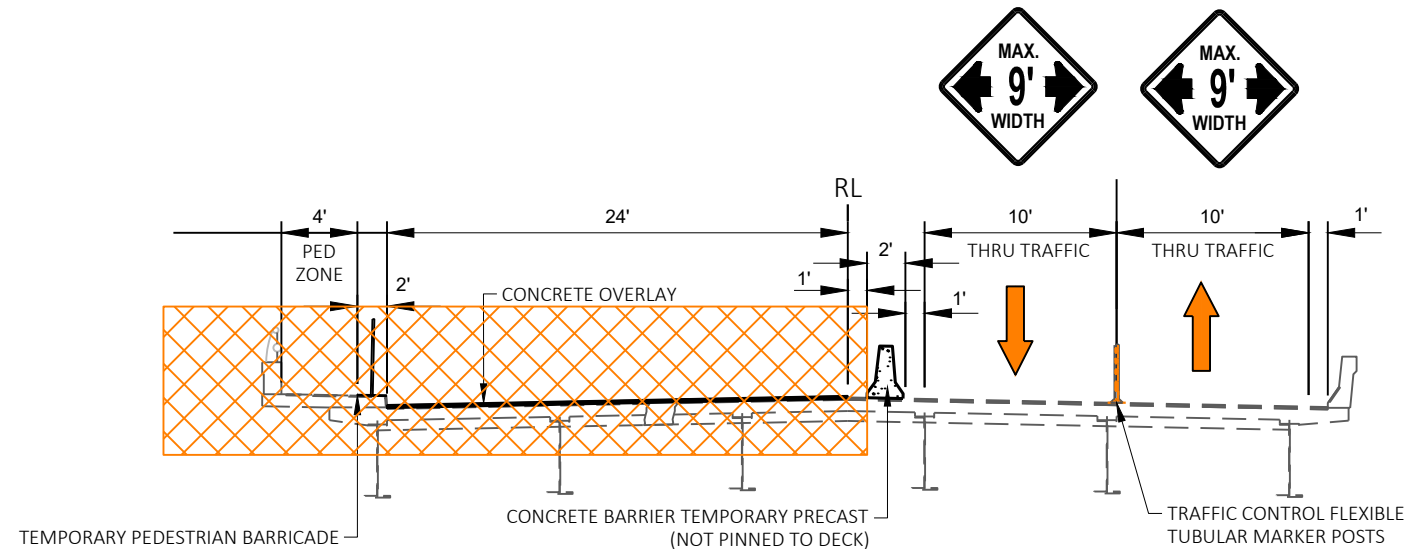
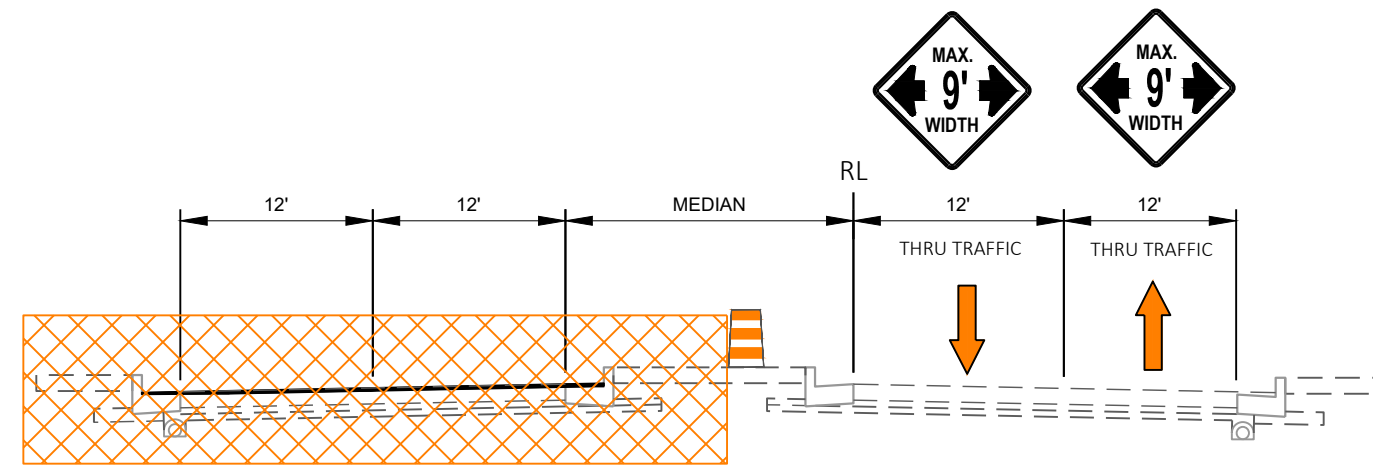


TYPICAL 4-LANE UNDIVIDED SECTION WIS 107 - STAGE 2
SOUTHBOUND CONSTRUCTION - TRAFFIC ON EXISTING NORTHBOUND



TYPICAL BRIDGE SECTION WIS 107 - STAGE 2
B-37-239, B-37-240



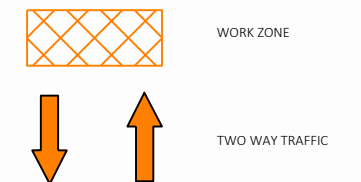
TYPICAL 4-LANE DIVIDED SECTION WIS 107 - STAGE 2
SOUTHBOUND CONSTRUCTION - TRAFFIC ON EXISTING NORTHBOUND

PRELIMINARY WIS 107 IMPROVEMENTS

PROJECT ID: 6360-05-00
MARATHON CITY, MAIN STREET
NORTH STREET TO MARATECH AVENUE
MARATHON COUNTY

CONSTRUCTION STAGING CONCEPTS CONSTRUCT SOUTHBOUND

(TRAFFIC ON EXISTING NORTHBOUND ROADWAY)



- NOTES:
1. CONSTRUCT TEMPORARY CROSSOVERS AT EACH END OF THE PROJECT.
 2. SHIFT SOUTHBOUND TRAFFIC ONTO EXISTING NORTHBOUND LANES, RESULTING IN NORTHBOUND AND SOUTHBOUND TRAFFIC OCCUPYING NORTHBOUND ROADWAY.
 3. CONSTRUCT SOUTHBOUND ROADWAY.

