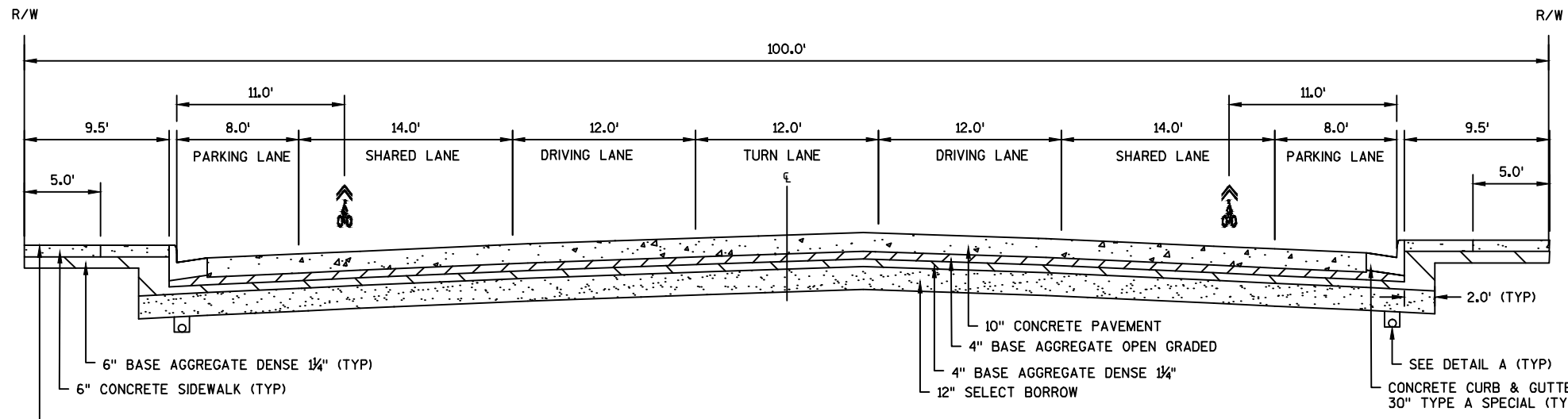
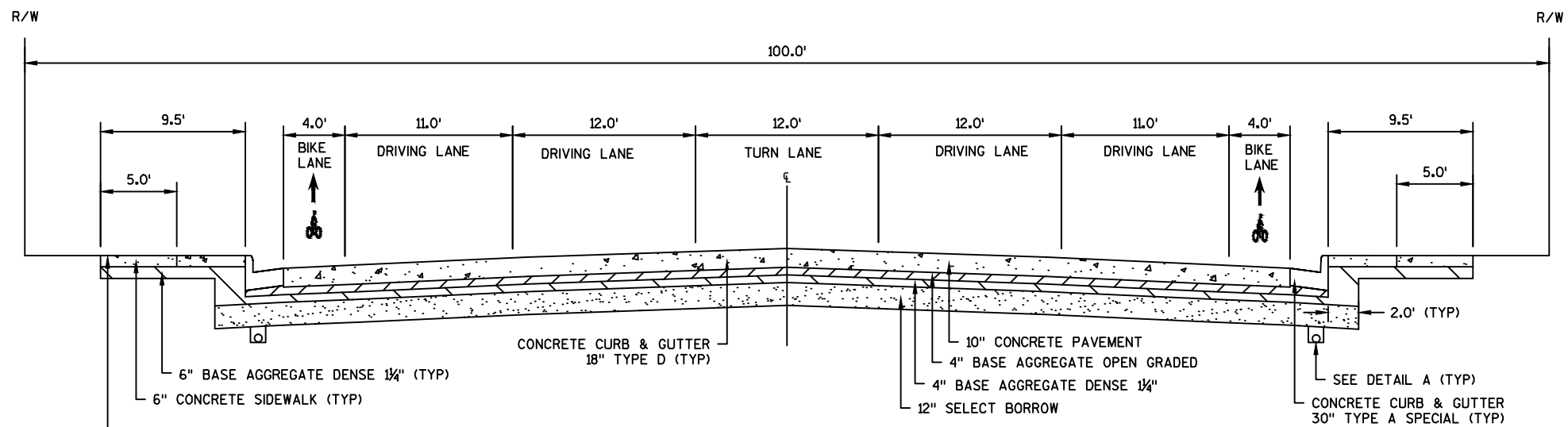
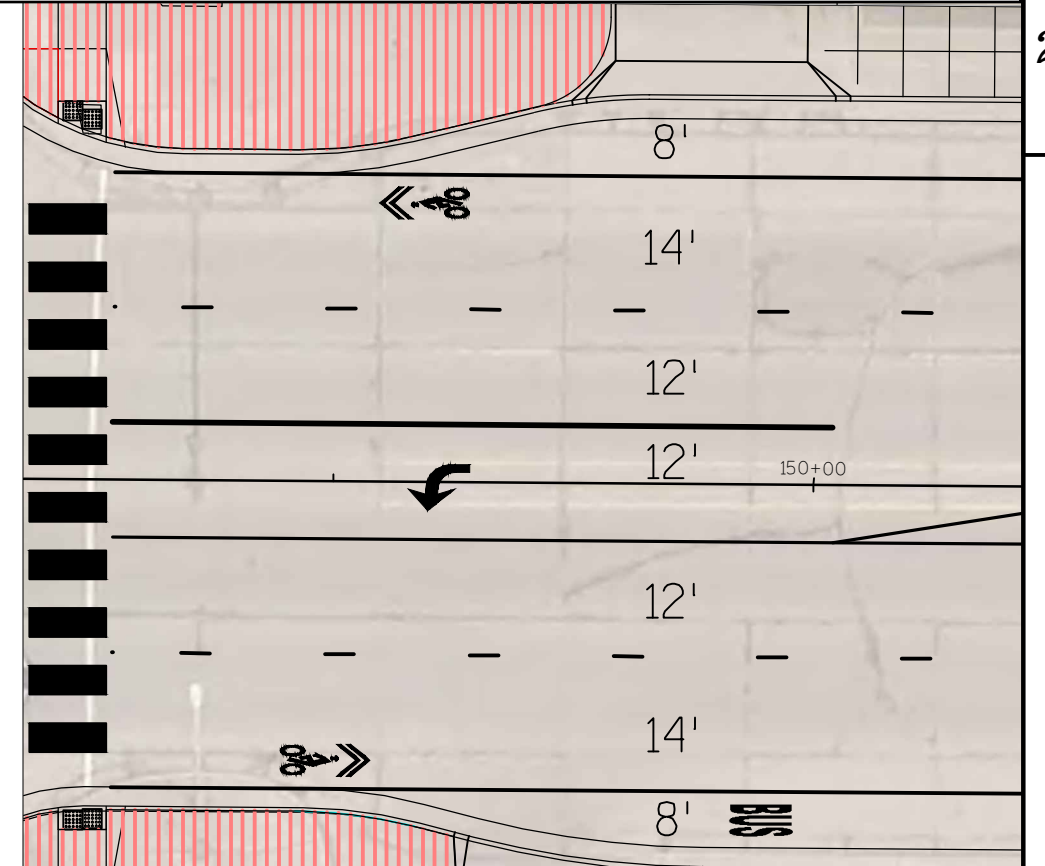


### Proposed Lane Configuration



USH 2 WEST OPTION A TYPICAL SECTION

OGDEN TO CATLIN



USH 2 EAST OPTION A TYPICAL SECTION

CATLIN TO HILL

