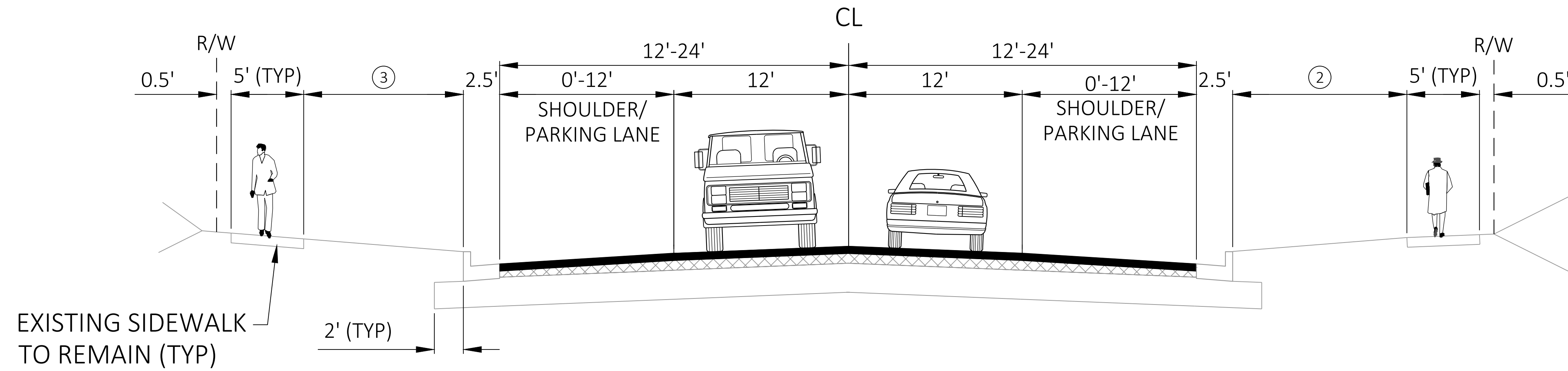


PROJECT ID 3841-06-70/71  
 WIS 11  
 TURTLE CREEK DR - MOUND RD  
 CITY OF DELAVAN  
 WALWORTH COUNTY

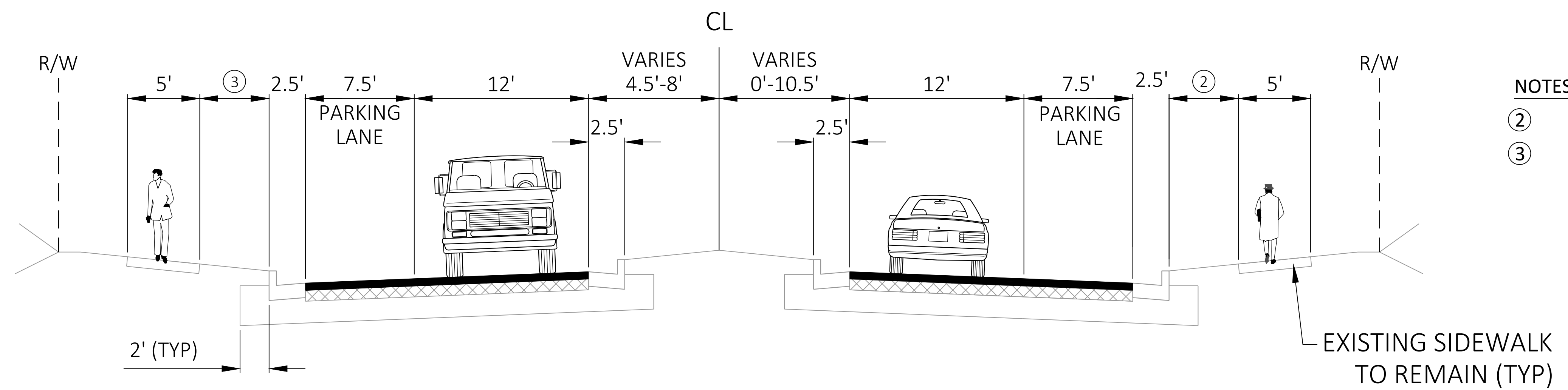


NOTES:

- ② TERRACE WIDTH VARIES, 7' - 27'
- ③ TERRACE WIDTH VARIES, 7' - 15'

**PAVEMENT RESURFACING FINISHED TYPICAL SECTION**

TURTLE CREEK DR TO N WRIGHT ST



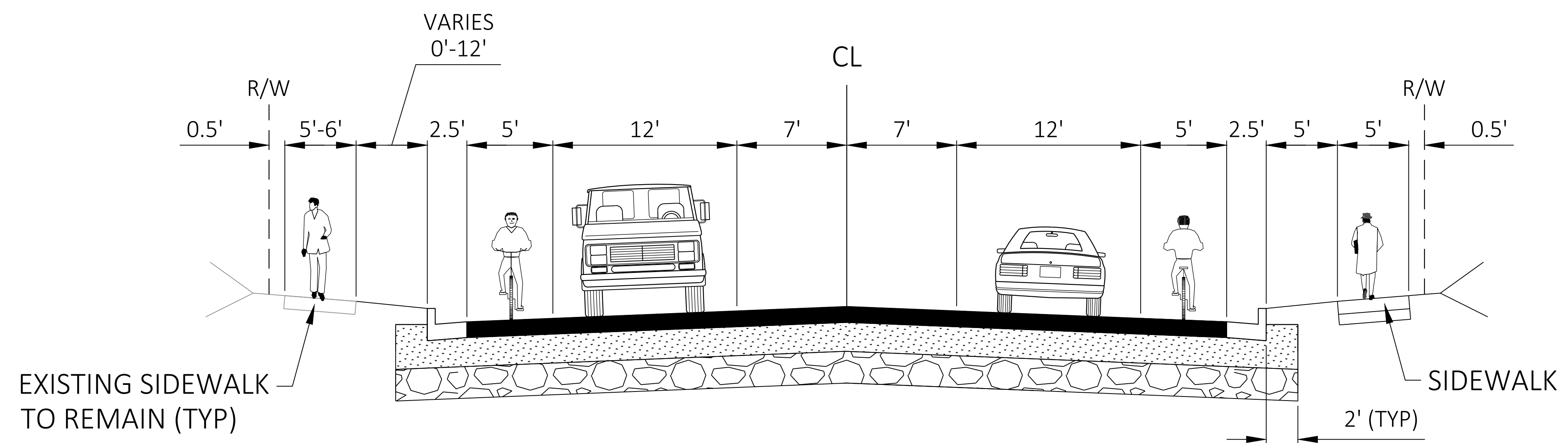
NOTES:

- ② TERRACE WIDTH VARIES: 4' - 30'
- ③ TERRACE WIDTH VARIES: 4' - 16'

**PAVEMENT RESURFACING FINISHED TYPICAL SECTION**

S 4TH ST TO S 7TH ST

PROJECT ID 3841-06-70/71  
WIS 11  
TURTLE CREEK DR - MOUND RD  
CITY OF DELAVAN  
WALWORTH COUNTY



**PAVEMENT REPLACEMENT (ROAD DIET) FINISHED TYPICAL SECTION**

N WRIGHT ST TO MOUND RD