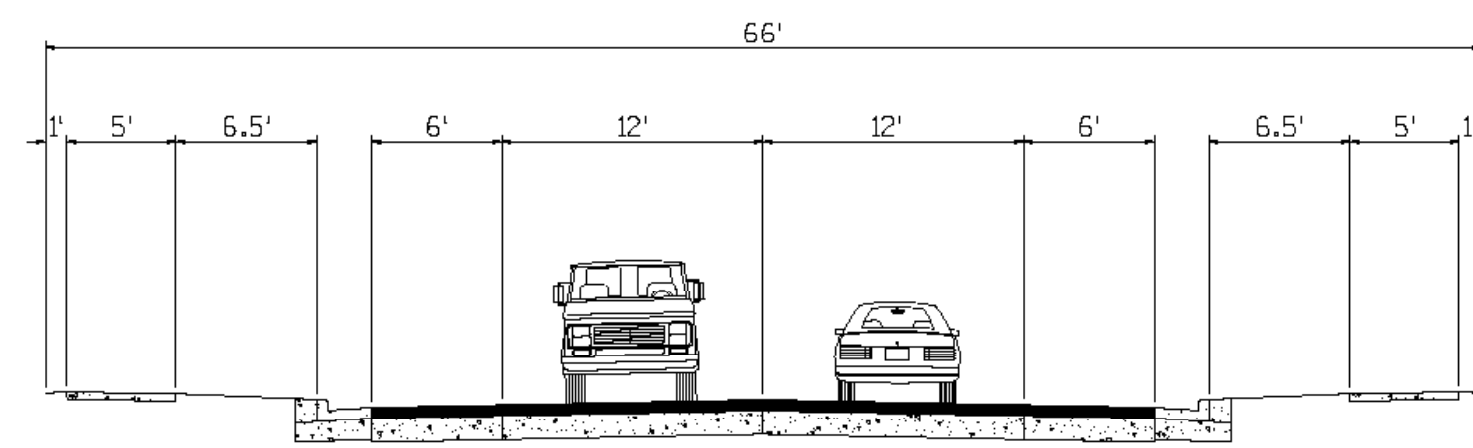


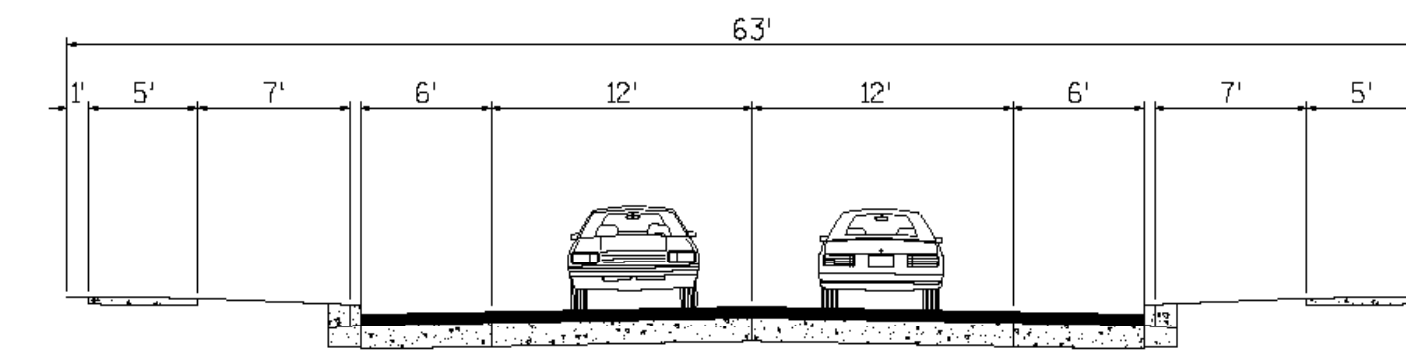
## DRAFT

### POSSIBLE ROADWAY CROSS SECTIONS AND LANE CONFIGURATIONS

\*4-LANE TYPICAL SECTION IS SHOWN ON ALL ROLL PLOTS

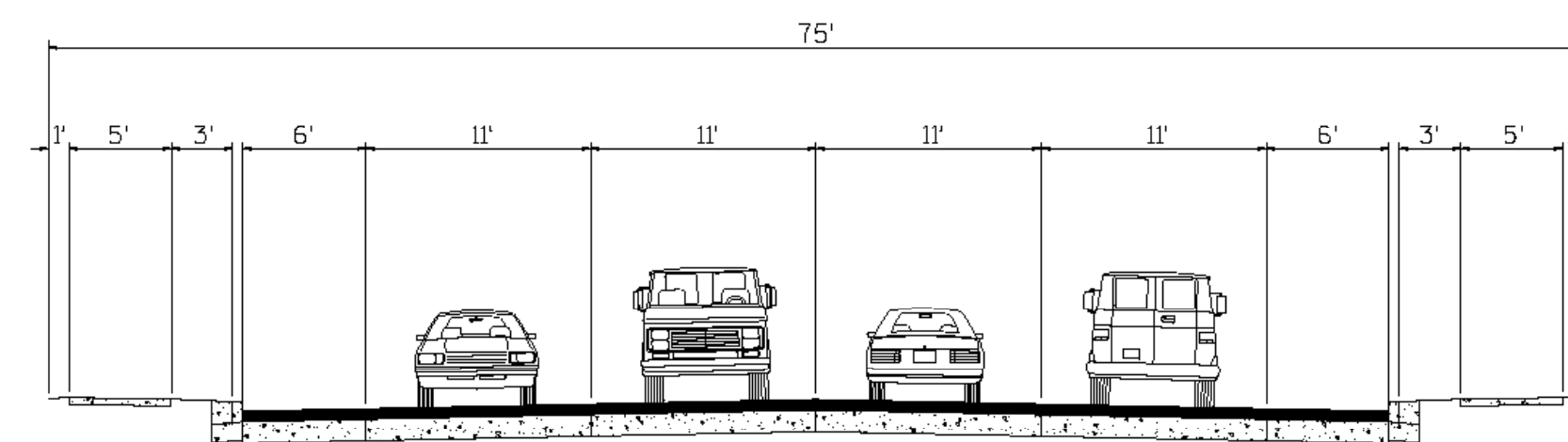


TYPICAL EXISTING SECTION  
WASHINGTON STREET

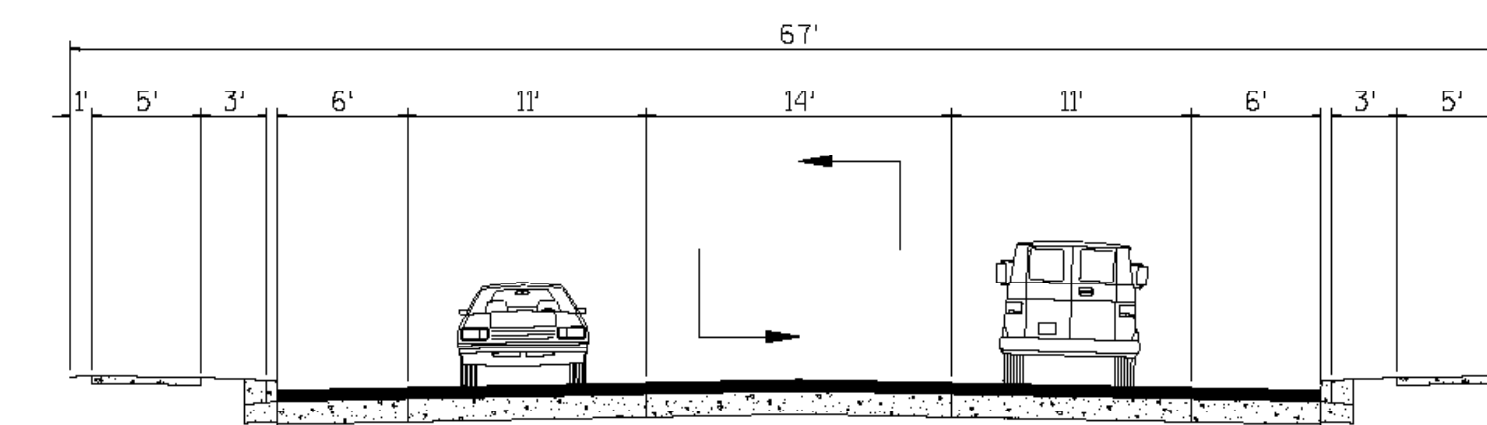


TYPICAL PROPOSED SECTION  
WASHINGTON STREET - 2 LANES

\*SHOWN ON ALL ROLL PLOTS



TYPICAL PROPOSED SECTION  
WASHINGTON STREET - 4 LANES



TYPICAL PROPOSED SECTION  
WASHINGTON STREET - 3 LANES  
(2-WAY LEFT-TURN LANE)

