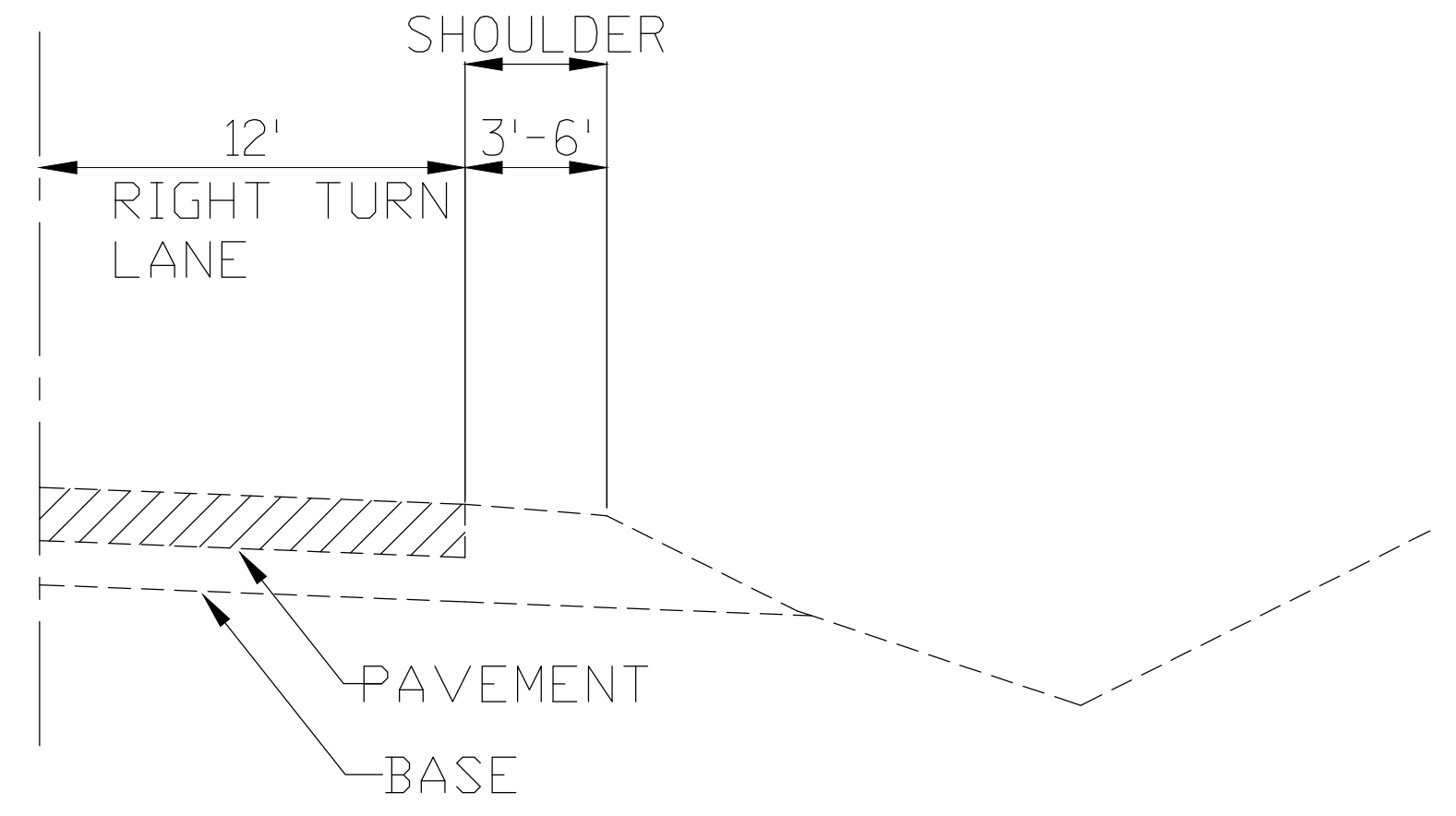


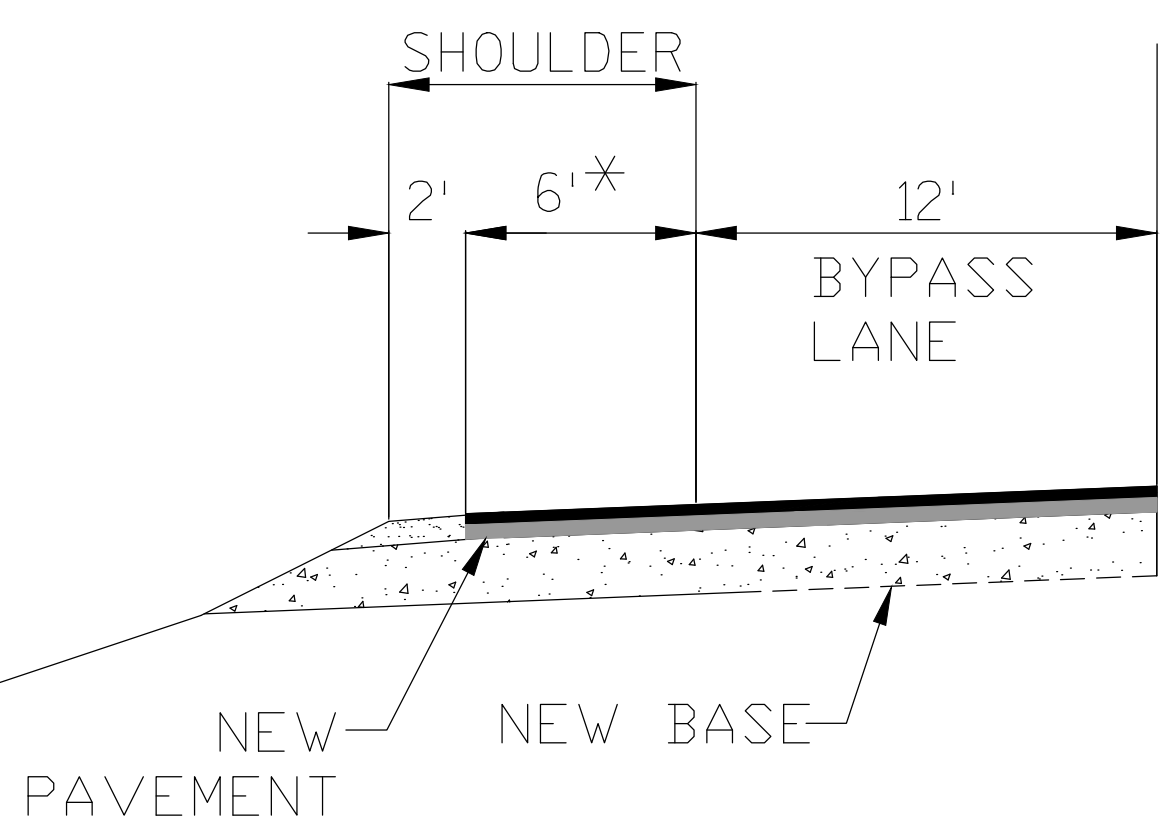
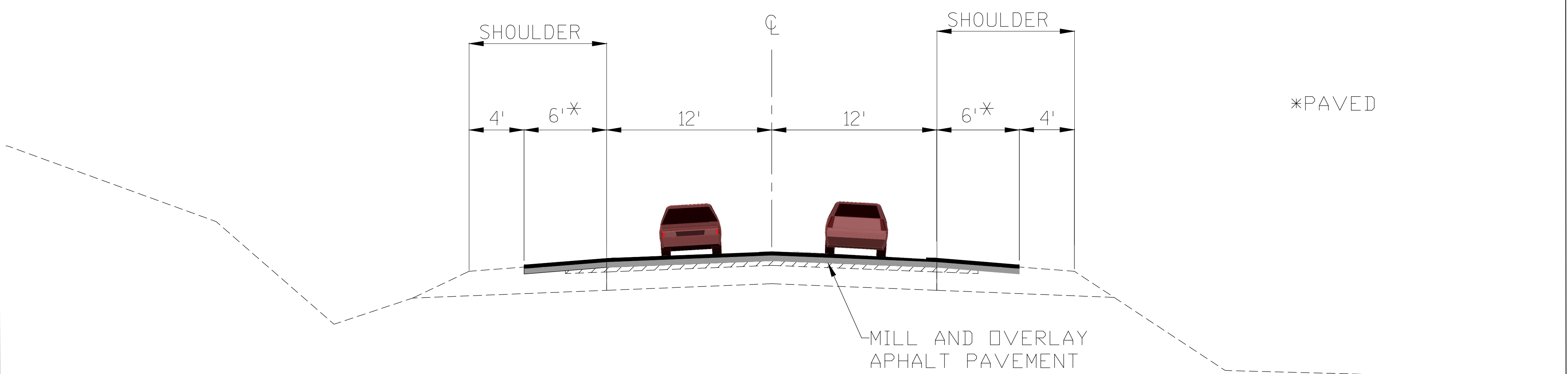
BYPASS LANE



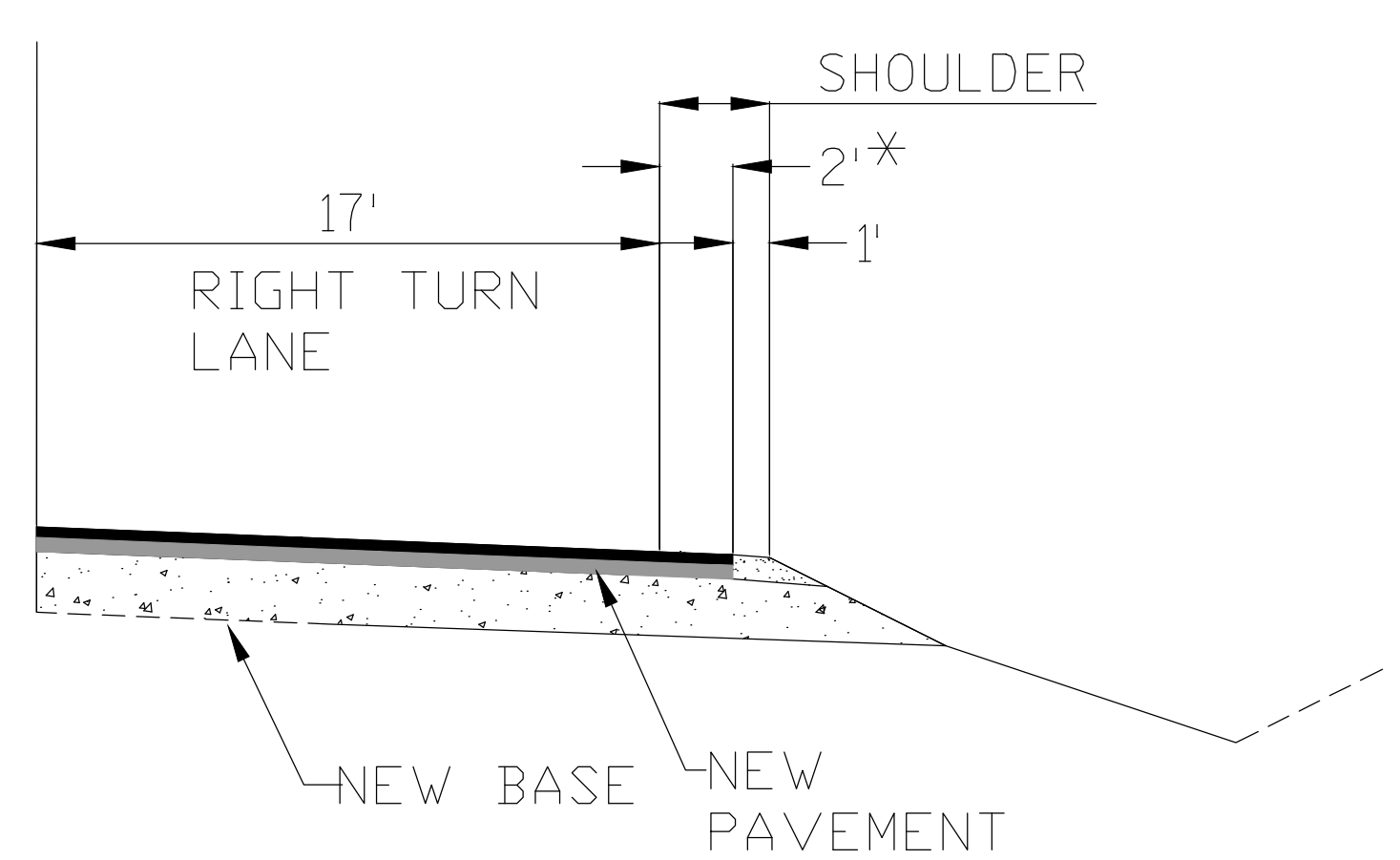
RIGHT TURN LANE

EXISTING TYPICAL SECTION VIEW LOOKING EAST

WIS 60 RESURFACING



BYPASS LANE



RIGHT TURN LANE

PROPOSED TYPICAL SECTION VIEW LOOKING EAST

WIS 60 RESURFACING

WIS 60 RESURFACING

EAGLE DRIVE TO WIS 181
WASHINGTON AND OZAUKEE COUNTIES
PROJECT ID 2310-17-70
APRIL 2015