



# **WIS 16 (Project: 7570-05-34/64)**

## **La Crosse - Sparta**

**Tim Maedke**

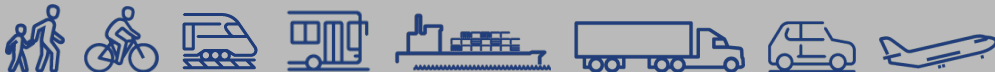
**WisDOT Project Manager**

Public Information Meeting  
La Crosse County

**March 2021**

# Project Location

- WIS 16, La Crosse County
- La Crosse River Bridge in West Salem to Big Creek Bridge near Rockland in La Crosse County



# Who can I talk with about the project?

- Jonathan Davidson – WisDOT Design Project Leader
- Tim Maedke – WisDOT Design Project Manager
- Reiny Yahnke – WisDOT Project Supervisor



# Agenda

- Project Limits
- Purpose and Need
- Proposed Design Overview
- Recent Activities
- Upcoming Schedule
- Contact Information



# What are the Project Limits?



La Crosse River, La Crosse County



Big Creek, La Crosse County

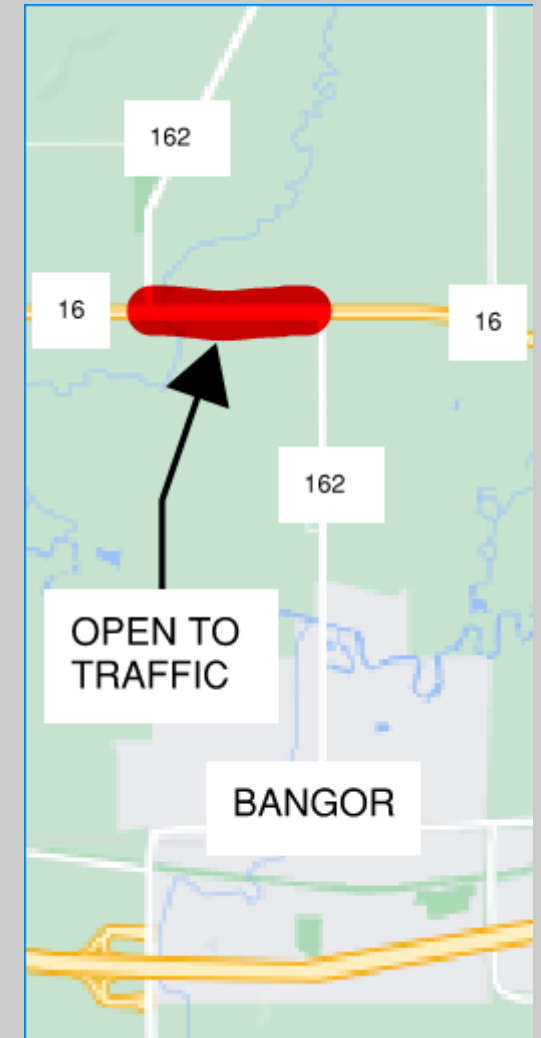


Project Length is 7.9 miles



# What will happen to WIS 16 traffic?

- WIS 16 will be closed to through traffic, except a 0.5 mile stretch of roadway between WIS 162 (north of Bangor). See map.
- Local traffic will continue to have access
- Access to properties and businesses will be maintained

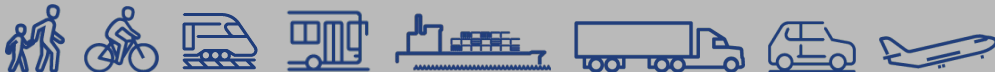


# Why do we need this project?

## Pavement Deterioration



Imagery Year: 2018



# Why do we need this project?

## Safety: Beam Guard Replacement

- Replace beam guard to meet current standards





# What improvements are proposed?

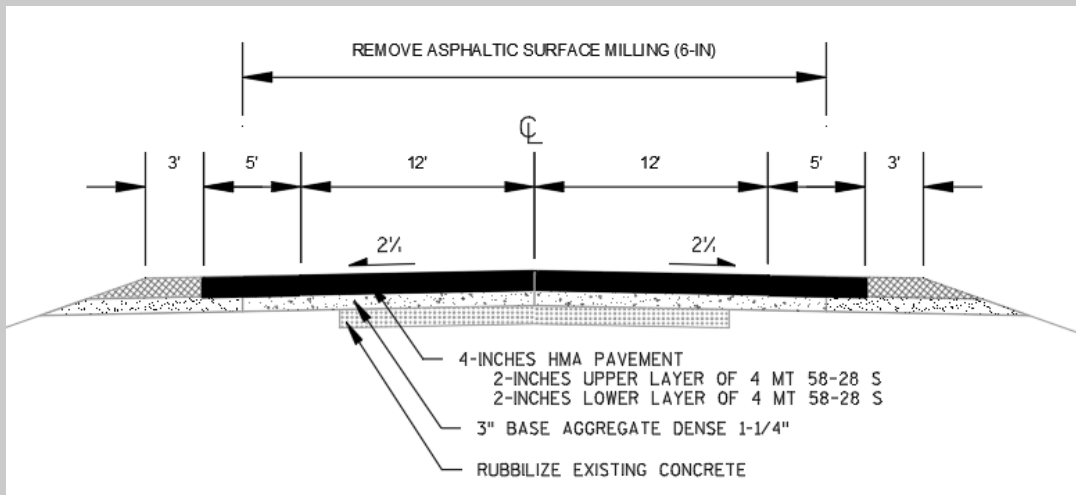
- Remove pavement, remove base course (below pavement), place (new or recycled) base course, and lastly place new pavement
- Replace beam guard
- Pave shoulder at 5-ft (currently 3-ft)  
(Overall shoulder width will remain at 8 -or- 10-ft, as currently exists)



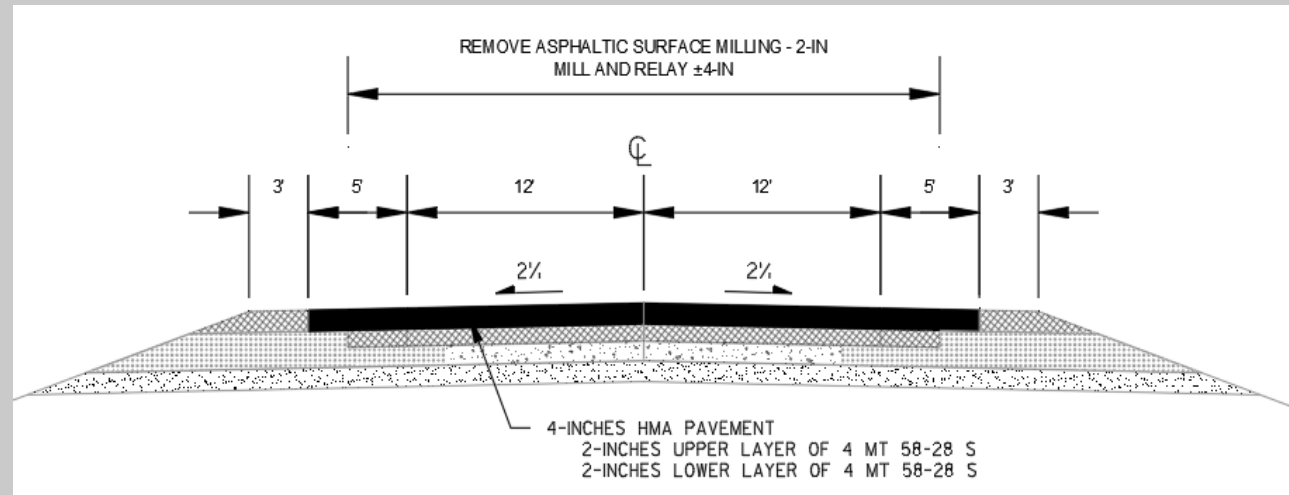
# Proposed design overview

## Typical Proposed Section – WIS 16

- Pavement -or- Pavement
  - Milling – 6-in
  - Base Course – 3-in
  - Paving – 4-in
- Pavement
  - Milling – 2-in
  - Mill & Relay – 4-in
  - Paving – 4-in
- Typical Shoulders
  - 5-ft paved, 3 -or- 5-ft gravel
  - 12-ft Bypass/Turning Lanes
  - Existing Curb and Gutter to Remain

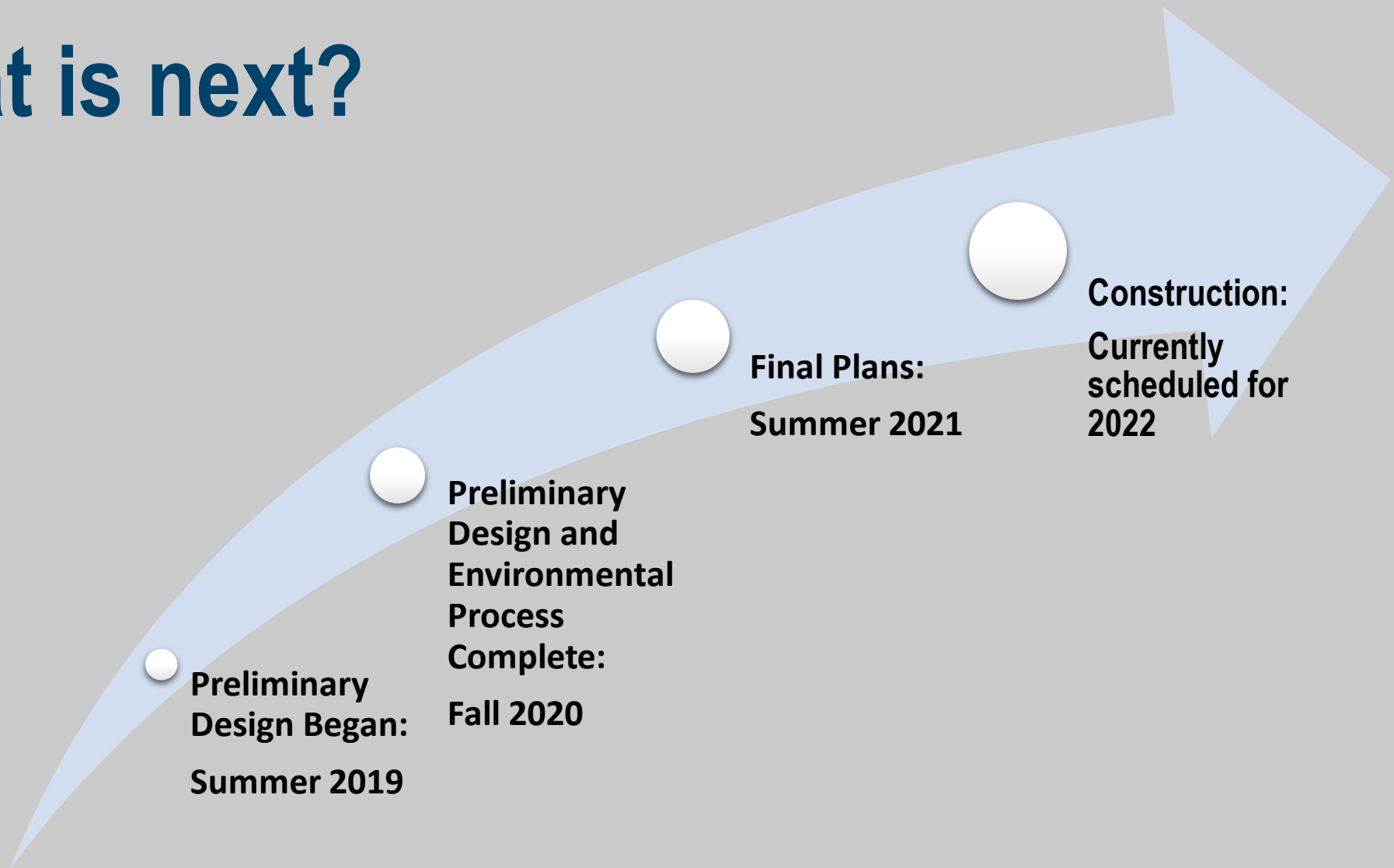


Typical Section 1



Typical Section 2

# What is next?



# Thank you for your time!

If you have any comments, questions, or concerns please send us an email, give us a call, or send us mail at 3550 Mormon Coulee Rd, La Crosse, WI 54601



# Project Contact Information

**Jonathan Davidson, P.E.**

WisDOT Project Leader

3550 Mormon Coulee Road

La Crosse, WI 54601

[Jonathan.Davidson@dot.wi.gov](mailto:Jonathan.Davidson@dot.wi.gov)

(608) 785-9036

**Tim Maedke, P.E.**

WisDOT Project Manager

3550 Mormon Coulee Road

La Crosse, WI 54601

[Tim.Maedke@dot.wi.gov](mailto:Tim.Maedke@dot.wi.gov)

(608) 789-6317

**Reiny Yahnke, P.E.**

WisDOT Supervisor

3550 Mormon Coulee Road

La Crosse, WI 54601

[Reiny.Yahnke@dot.wi.gov](mailto:Reiny.Yahnke@dot.wi.gov)

(608) 785-9050

