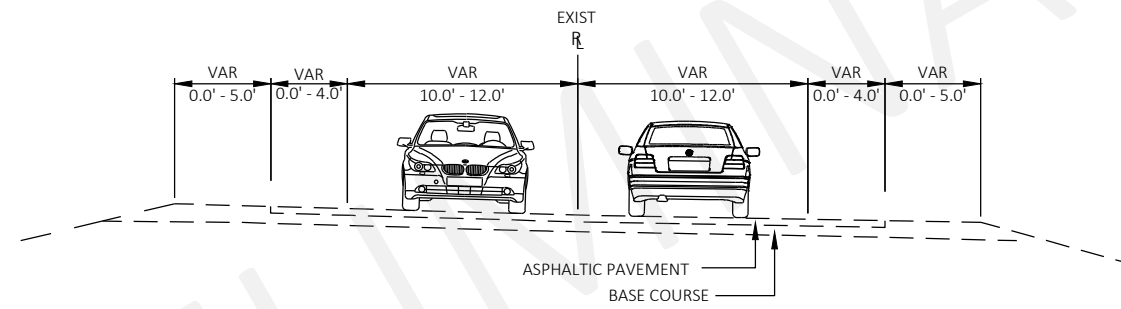
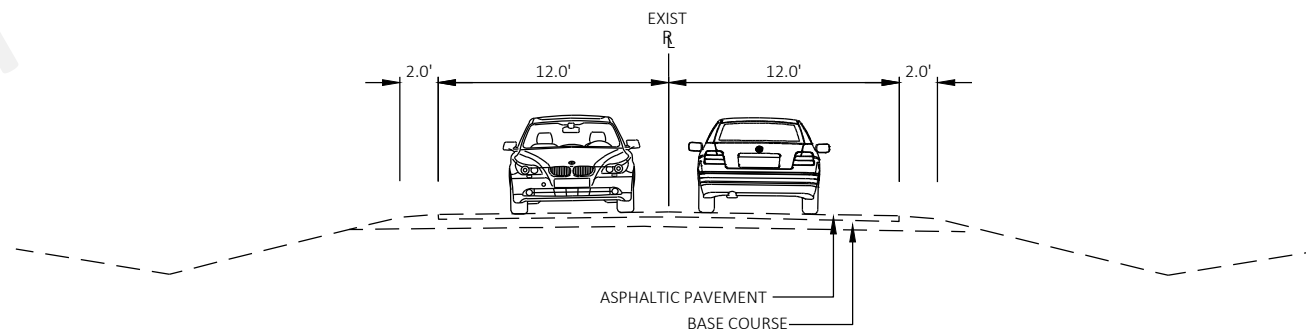


TYPICAL EXISTING SECTION  
WIS 35  
LA CROSSE CO LINE TO SUNNYSIDE DRIVE



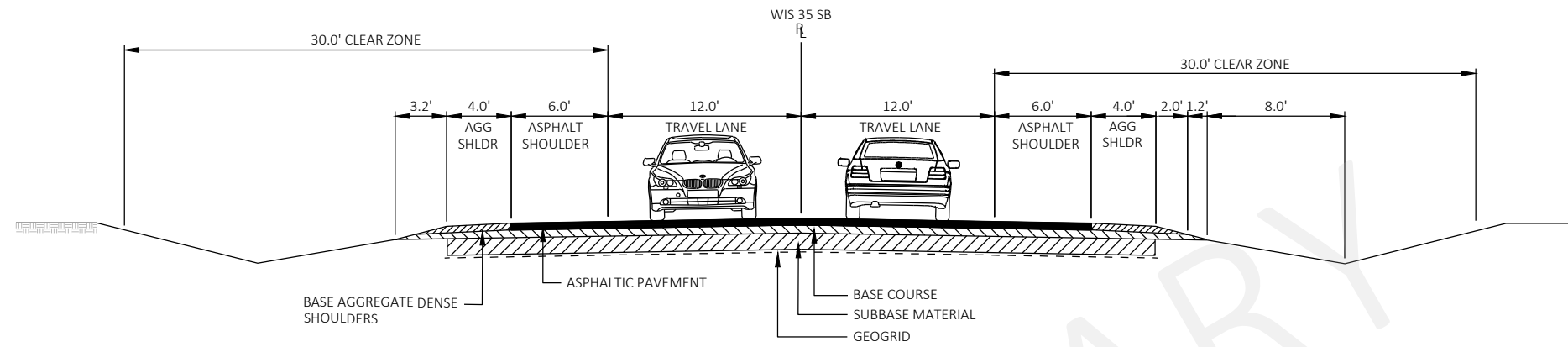
TYPICAL EXISTING SECTION  
COUNTY GI



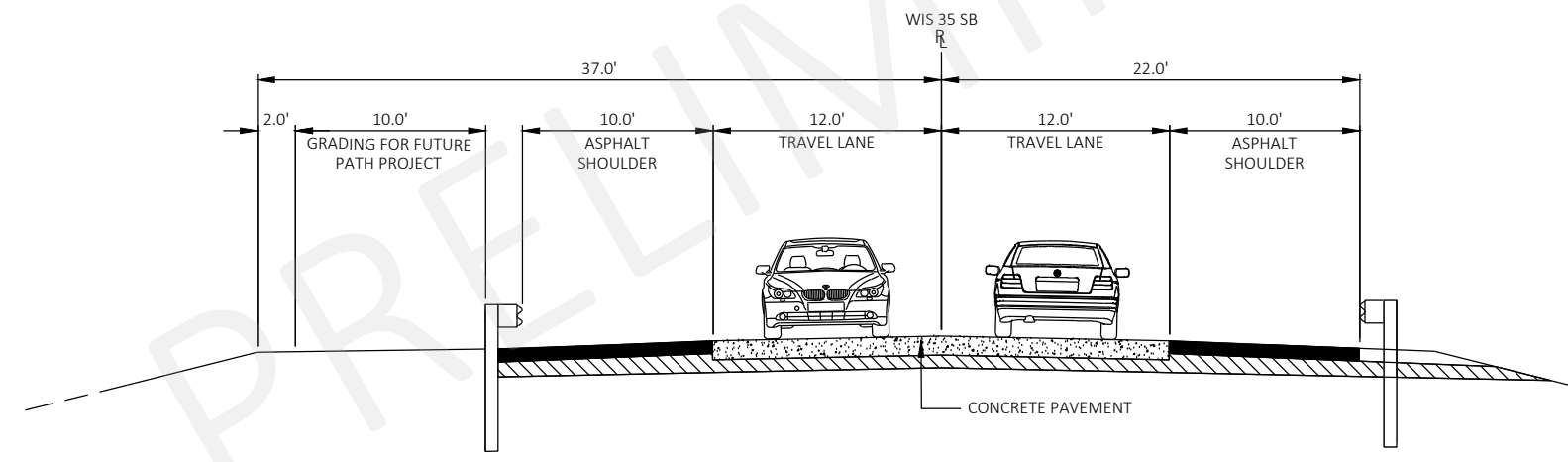
TYPICAL EXISTING SECTION  
COUNTY K

**WIS 35**  
**LA CROSSE CO LINE TO SUNNYSIDE DRIVE**  
**LA CROSSE & VERNON COUNTY**

STATE ID 5163-07-02  
PUBLIC INVOLVEMENT MEETING #3  
JUNE 2022



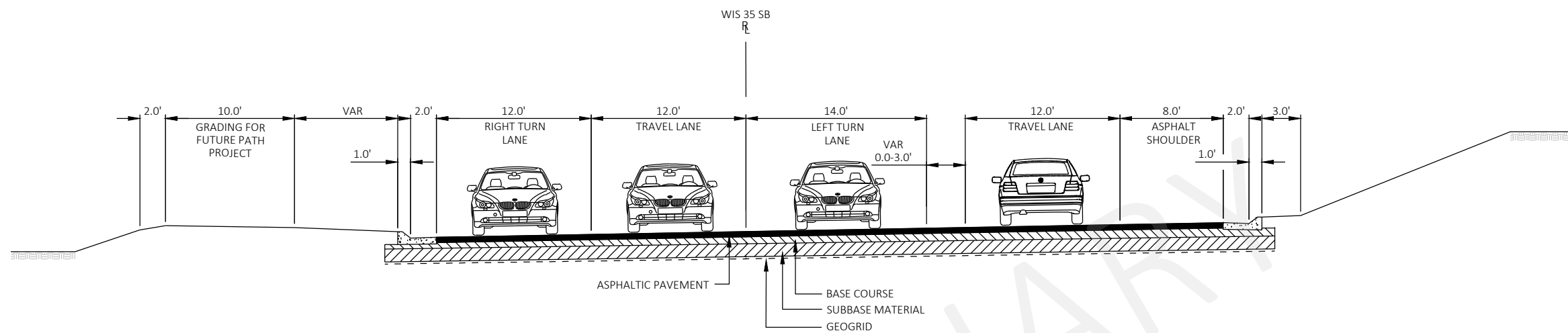
TYPICAL FINISHED SECTION  
 WIS 35  
 LA CROSSE CO LINE TO COUNTY K



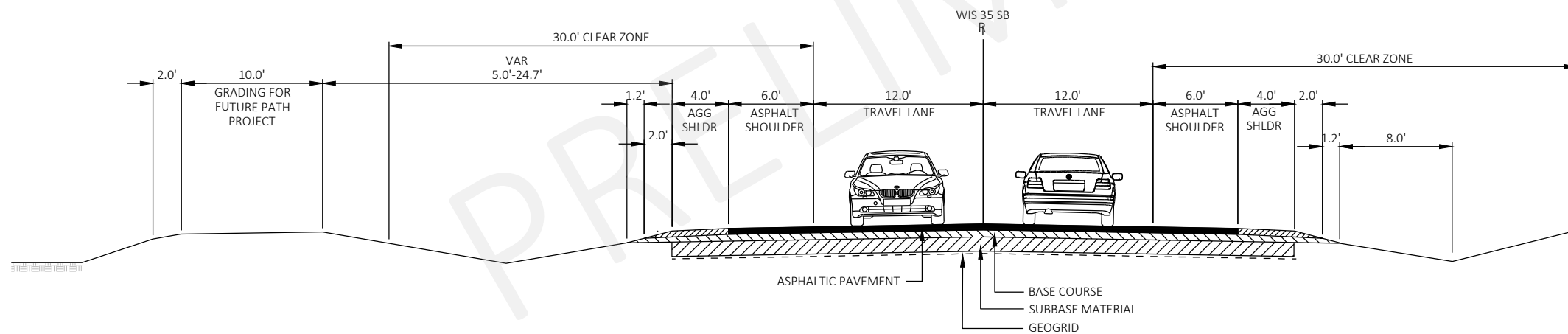
TYPICAL FINISHED SECTION  
 WIS 35  
 APPROACHES TO BRIDGE OVER MORMON CREEK

**WIS 35**  
**LA CROSSE CO LINE TO SUNNYSIDE DRIVE**  
**LA CROSSE & VERNON COUNTY**

STATE ID 5163-07-02  
 PUBLIC INVOLVEMENT MEETING #3  
 JUNE 2022



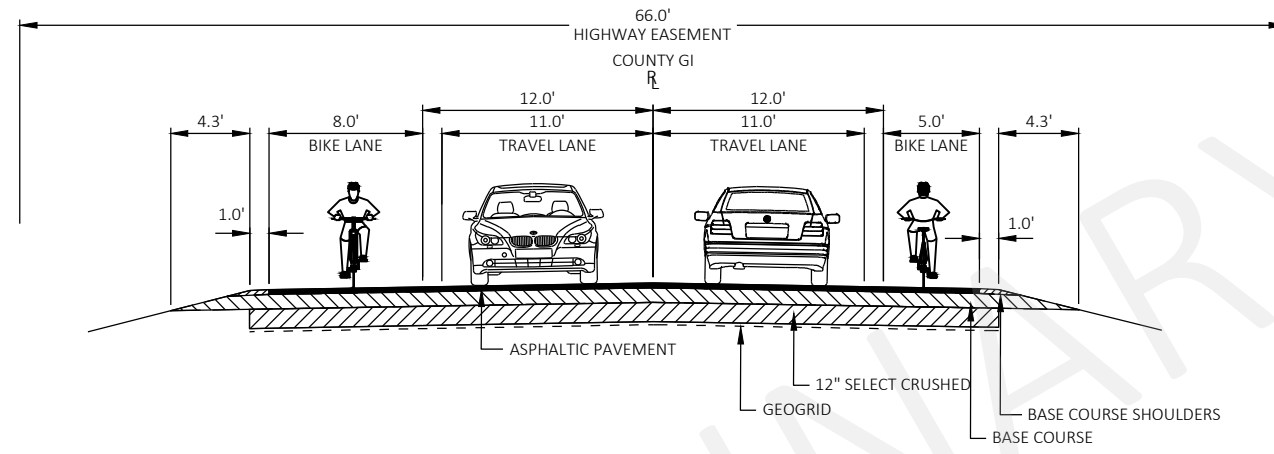
TYPICAL FINISHED SECTION  
WIS 35  
TURN LANES AT COUNTY K



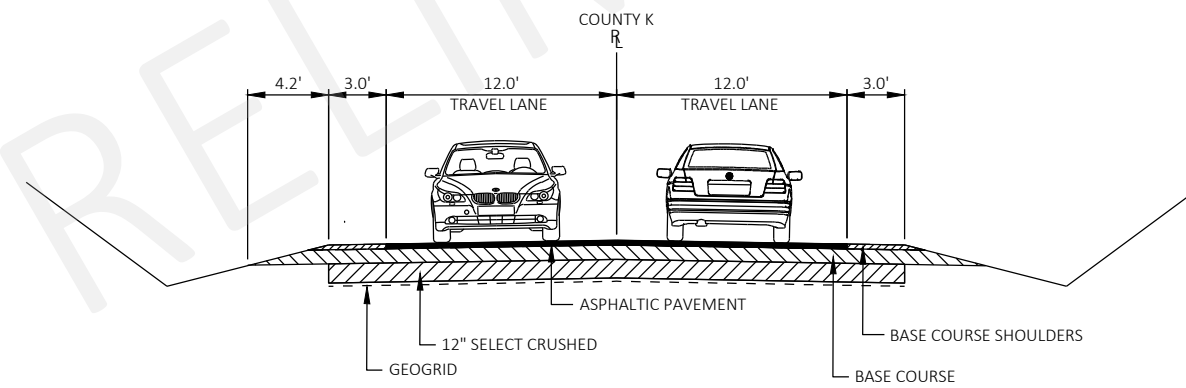
TYPICAL FINISHED SECTION  
WIS 35  
COUNTY K TO SUNNYSIDE DR

**WIS 35**  
**LA CROSSE CO LINE TO SUNNYSIDE DRIVE**  
**LA CROSSE & VERNON COUNTY**

STATE ID 5163-07-02  
PUBLIC INVOLVEMENT MEETING #3  
JUNE 2022



TYPICAL FINISHED SECTION - COUNTY GI



TYPICAL FINISHED SECTION - COUNTY K

**WIS 35**  
**LA CROSSE CO LINE TO SUNNYSIDE DRIVE**  
**LA CROSSE & VERNON COUNTY**

STATE ID 5163-07-02  
PUBLIC INVOLVEMENT MEETING #3  
JUNE 2022