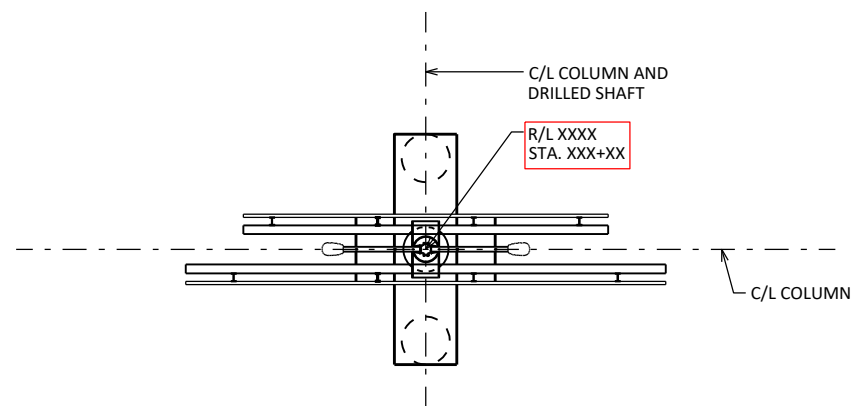


STATION INCREASE ↑

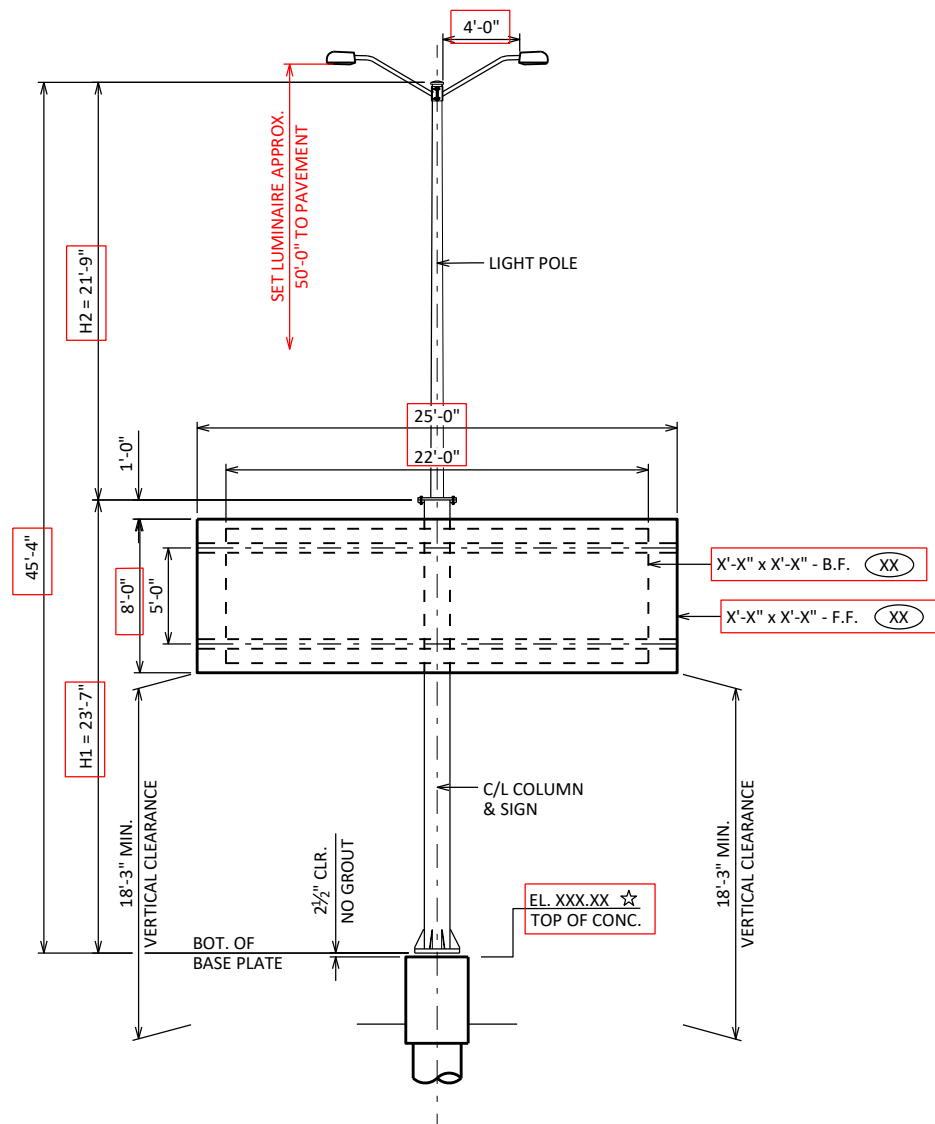


PLAN

UPDATE CHORD, SIGN AND POLE MEMBERS AS NEEDED TO MATCH DESIRED SPAN

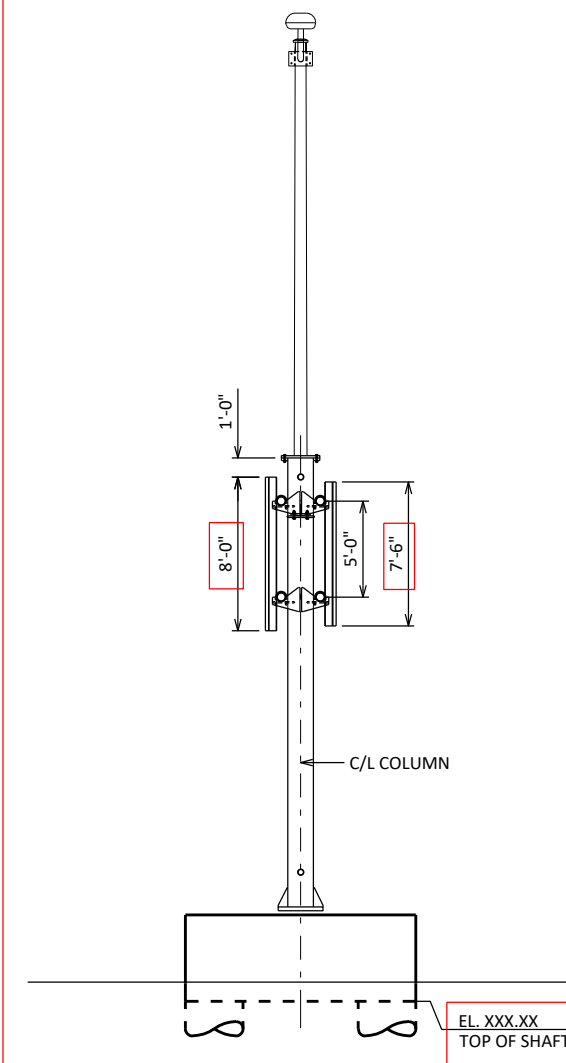
STA. XXX+00 (HIGHWAY AND DIRECTION)
GENERAL LOCATION DESCRIPTION
(EX. ¼" MILE S. OF CAPITOL DR.)

LOCATION MAP



ELEVATION

LOOKING (DIRECTION) AT F.F. OF SIGN



END VIEW

LOOKING (DIRECTION) AT END OF SIGN

DESIGNER NOTES:

PROVIDE PLAN, ELEVATION, AND END VIEWS. UPDATE LOCATION MAP, AND TITLE BLOCK INFO AS APPROPRIATE FOR YOUR PROJECT. INCLUDE RELEVANT DIMENSIONS TO REFERENCE LINES, CROSS SECTION AND LANE, SHOULDER WIDTH, SLOPE ELEVATIONS, ETC. AS APPROPRIATE.

RED BOXES INDICATE DATA TO BE UPDATED FOR EACH STRUCTURE.

LEGEND

CENTER SIGNS ON COLUMN

☆ ELEVATIONS ALONG C/L OF TRUSS.

SIGN NUMBER, SEE PERMANENT SIGNING PLAN.

▲ POINT OF MIN. VERTICAL CLEARANCE
STA. XXX+XX.XX, XX.XX' LF/RT.
ELEV. XXX.XX

NO.	DATE	REVISION	BY
STATE OF WISCONSIN DEPARTMENT OF TRANSPORTATION			
STRUCTURE		S-XX-XXXX	
DRAWN BY		PLANS CK'D	
LAYOUT		SHEET	

SCALE =