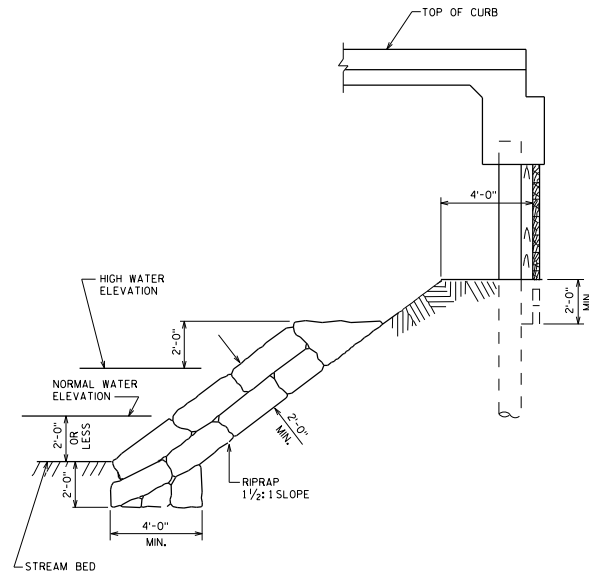
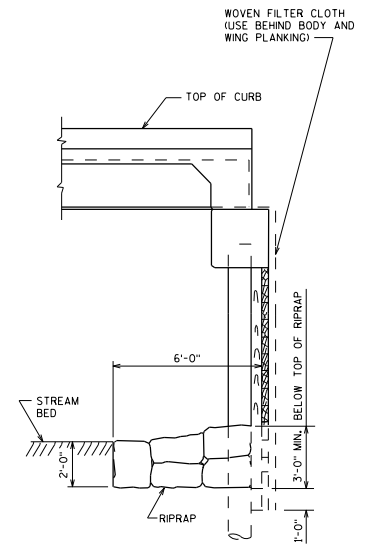


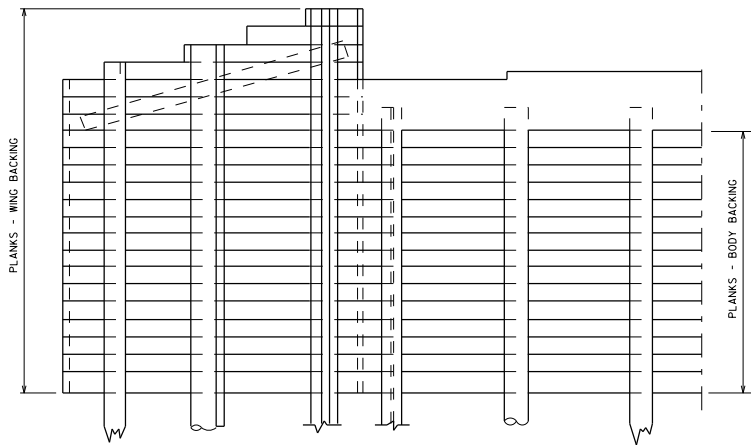
HALF PLAN



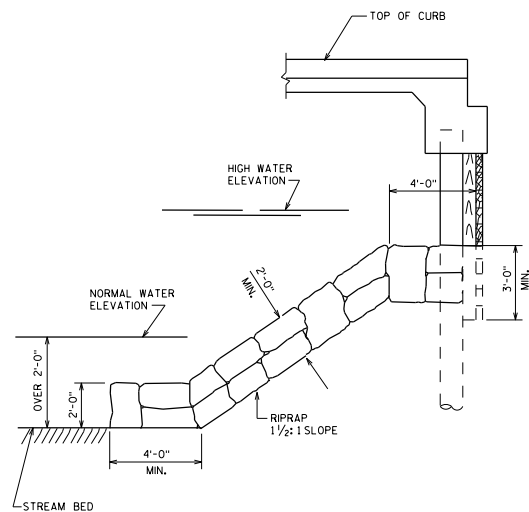
LONGITUDINAL SECTION WITH BERM
SHOWING TOE OF RIPRAP WHEN WATER IS 2'-0" OR LESS IN DEPTH.




LONGITUDINAL SECTION WITHOUT BERM



HALF ELEVATION



LONGITUDINAL SECTION WITH BERM
SHOWING TOE OF RIPRAP WHEN WATER IS OVER 2'-0" IN DEPTH.

TIMBER ABUTMENT	
	BUREAU OF STRUCTURES
APPROVED: <u>Bill Oliva</u>	DATE: <u>7-16</u>