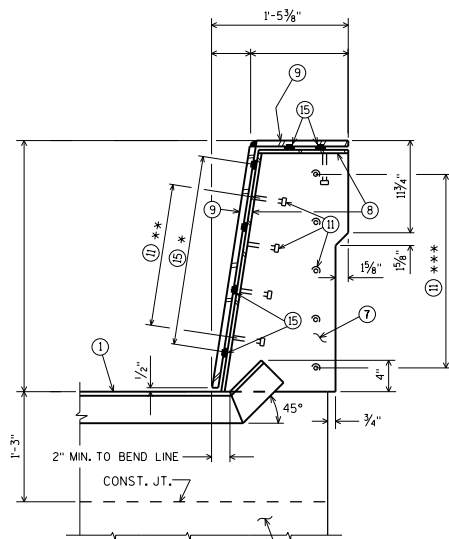
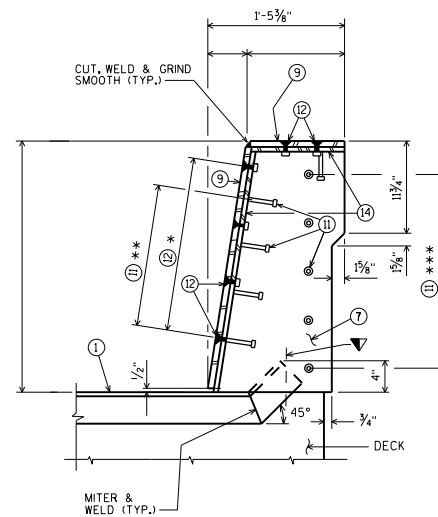


ELEVATION OF SINGLE SLOPE PARAPET

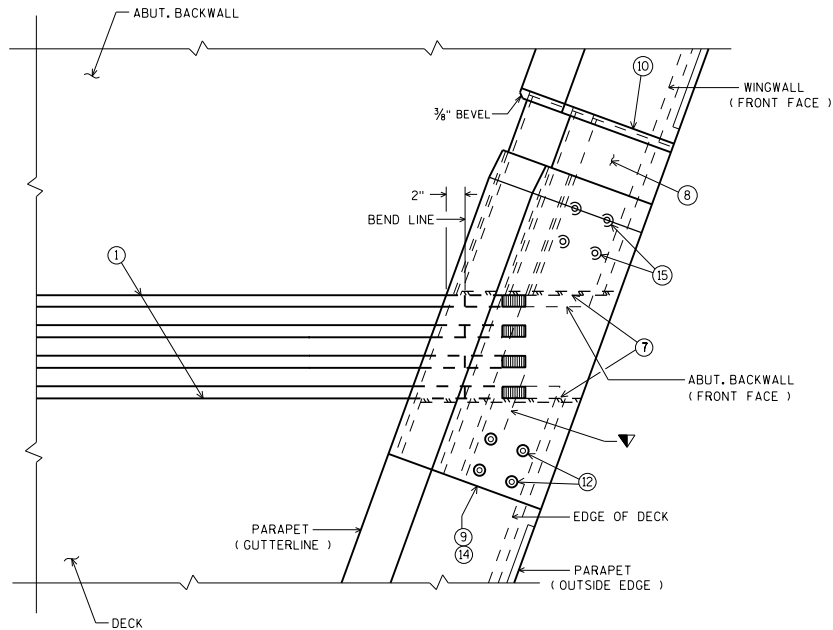


SECTION E-E

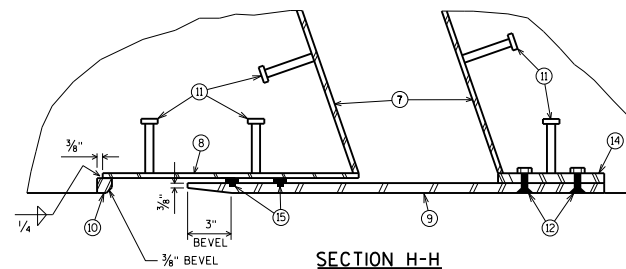


SECTION F-F

CROSS SECTION SHOWN FOR 32", 36", AND 42" SINGLE SLOPE PARAPET. DETAILS FOR 56" PARAPET ARE SIMILAR.



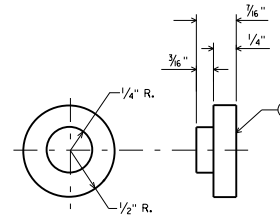
PLAN OF SINGLE SLOPE PARAPET



SECTION H-H

- * 3 EQ. SPA. (32")
- 4 EQ. SPA. (36")
- 5 EQ. SPA. (42")
- 7 EQ. SPA. (56")
- ** 3 SPA. (32")
- 4 SPA. (36")
- 5 SPA. (42")
- 7 EQ. SPA. (56")
- *** 4 SPA. (32")
- 5 SPA. (36")
- 6 SPA. (42")
- 8 SPA. (56")

FOR STRUCTURES WITH SKEWS, ADD NOTE TO PLANS: "MITER EXTRUSION ENDS AS REQ'D TO PROVIDE CLEARANCE"



ADIPRENE BUTTON DETAIL

COVER PLATES FOR SINGLE SLOPE PARAPET



BUREAU OF STRUCTURES

APPROVED: Bill Oliva DATE: 7-18