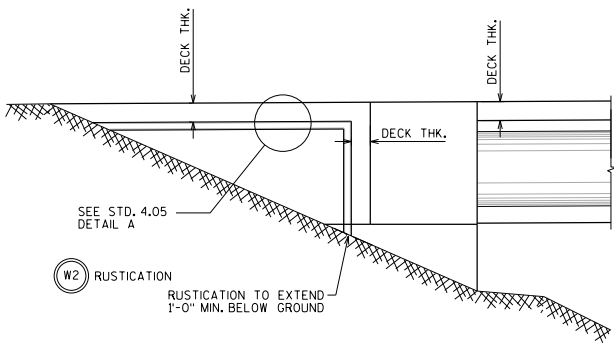
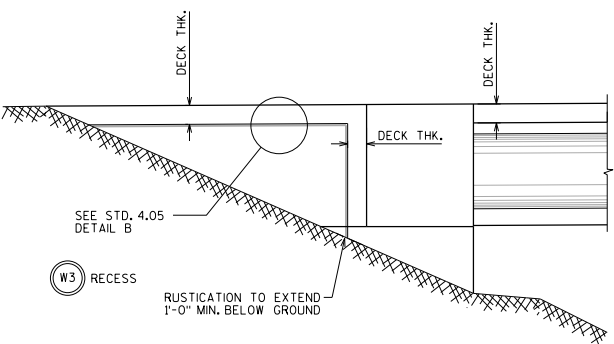


W1 STANDARD

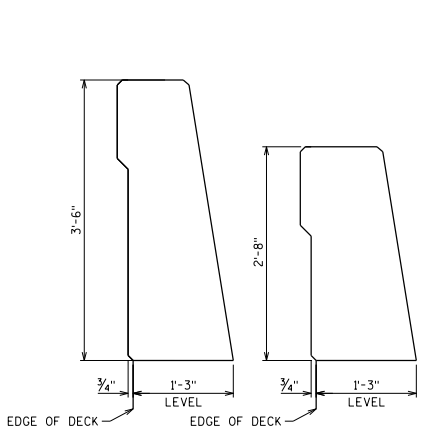


W2 RUSTICATION
RUSTICATION TO EXTEND
1'-0" MIN. BELOW GROUND

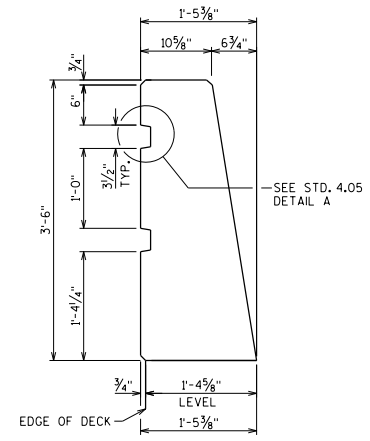


W3 RECESS
RUSTICATION TO EXTEND
1'-0" MIN. BELOW GROUND

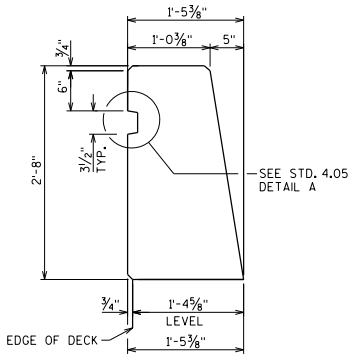
WING OPTIONS



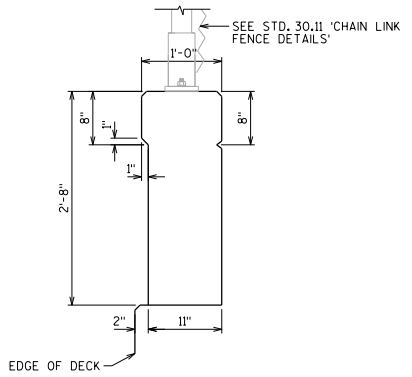
R1 STANDARD
SEE STD. 30.32 'SINGLE SLOPE
PARAPET 42SS' OR STD. 30.30
'SINGLE SLOPE PARAPET 32SS' FOR
DETAILS



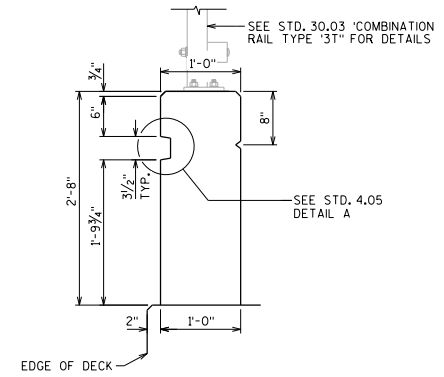
R2 DOUBLE RUSTICATION LINES
MODIFIED 'SINGLE SLOPE PARAPET 42SS'
(AREA = 4.01 SF, WEIGHT = 602 LB/FT.)



R2 SINGLE RUSTICATION LINES
MODIFIED 'SINGLE SLOPE PARAPET 32SS'
(AREA = 3.25 SF, WEIGHT = 488 LB/FT.)




R3 STANDARD
SEE STD. 30.07 'VERTICAL FACE PARAPET 'A'
FOR DETAILS



R4 SINGLE RUSTICATION LINES
MODIFIED 'VERTICAL FACE PARAPET 'A'
(AREA = 2.63 SF, WEIGHT = 395 LB/FT.)
SEE STD. 30.07 'VERTICAL FACE PARAPET 'A'
FOR DETAILS

PARAPET OPTIONS

DESIGNER NOTES
WINGS PARALLEL TO CENTERLINE OF ABUTMENT
(ELEPHANT EAR) ARE TO BE PLAIN (TYPE I).

WING & PARAPET AESTHETIC DETAILS	
	BUREAU OF STRUCTURES
APPROVED: <u>Bill Oliva</u>	DATE: 1-19