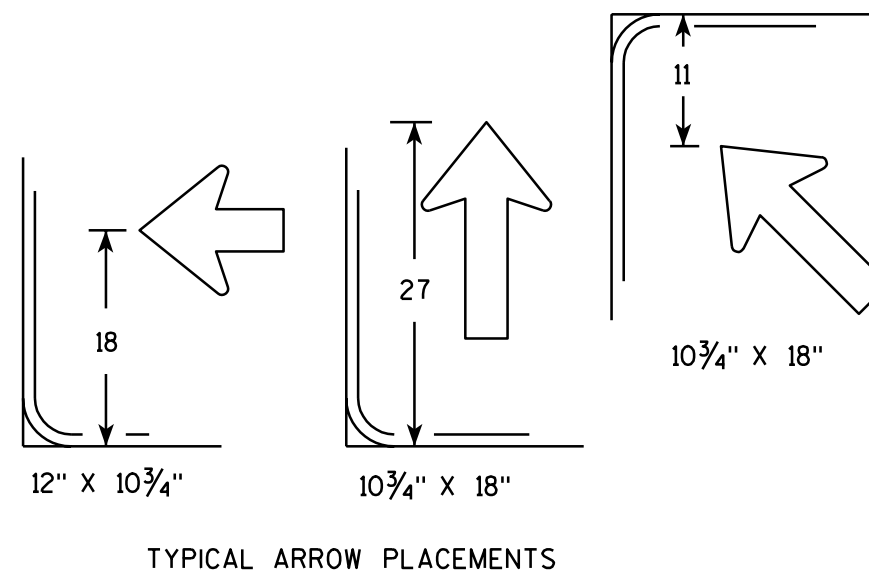
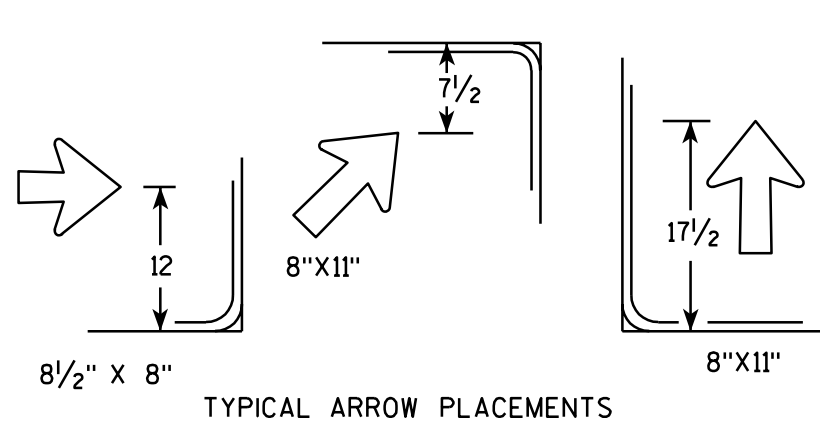
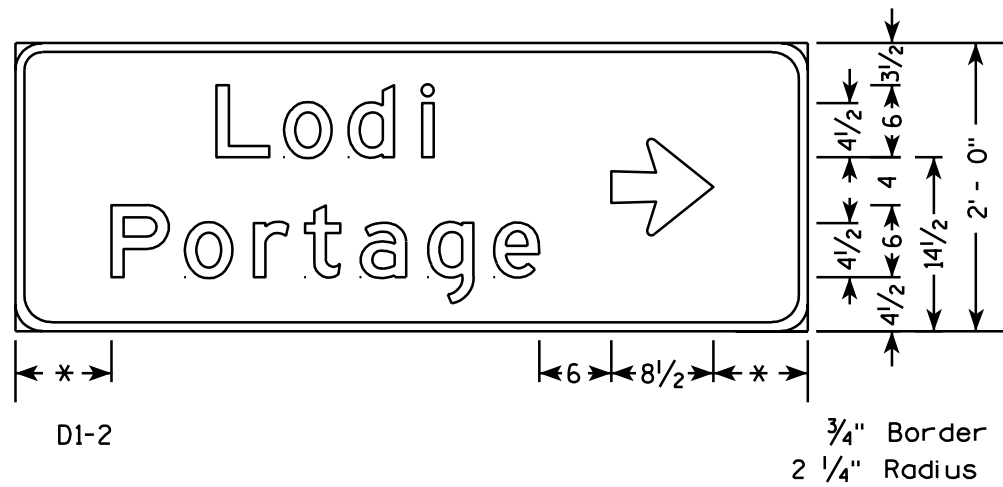
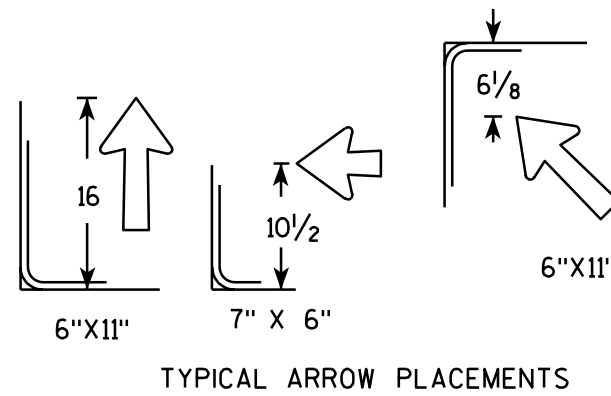
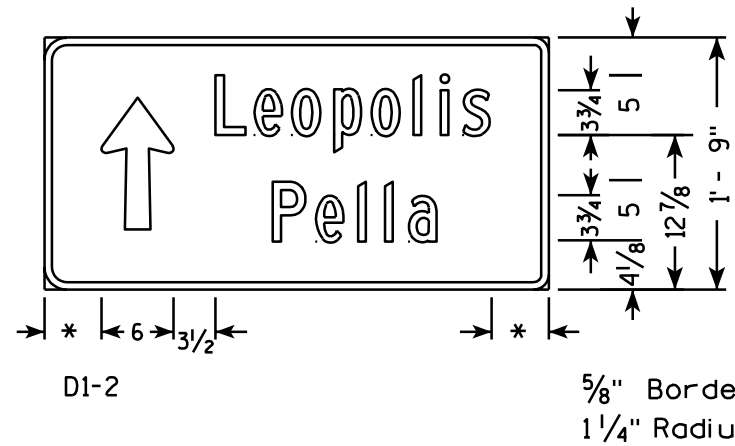


TYPICAL EXAMPLES

NOTES

1. All signs are Type II - Type H Reflective
2. Color:
Background - Green
Message - White - Type H Reflective
3. Message Series for 3 3/4" L C is Series C and Series E for 4 1/2" L C and 6" L C.
4. Overall length of these signs is in 6" increments.
5. Arrows as per standard plate A1-2.
6. Tilt arrow is always at 45°.
7. Center shorter destination over or under the longer destination and that combination including the arrow is centered on the board.

* Minimum dimension normally height of upper case letter.



DESTINATION - DIRECTIONAL SIGNS	
WISCONSIN DEPT OF TRANSPORTATION	
APPROVED	<i>Chester J. Spang</i> for State Traffic Engineer
DATE 2/18/02	PLATE NO. A11-11B.3