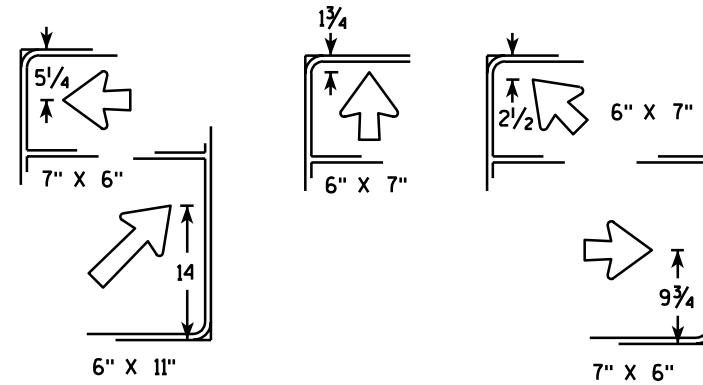
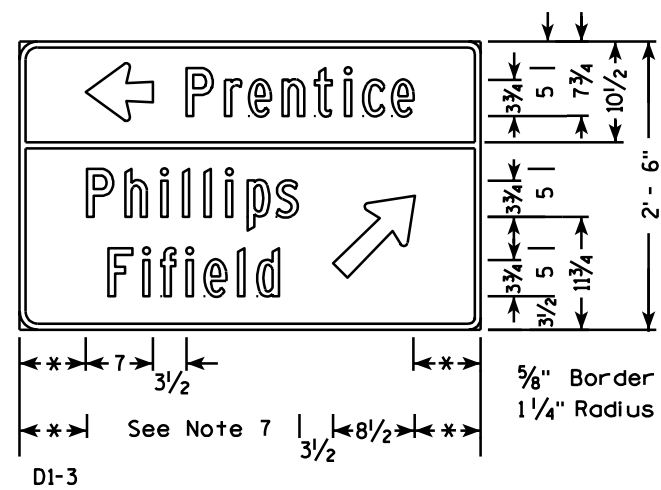


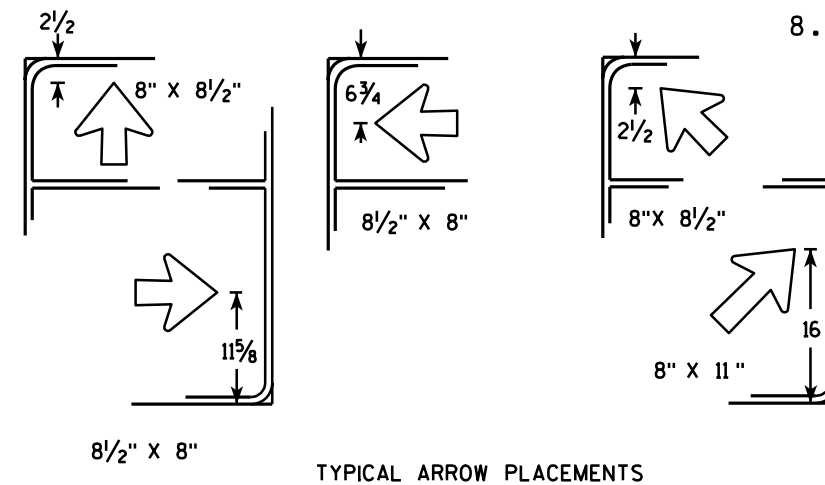
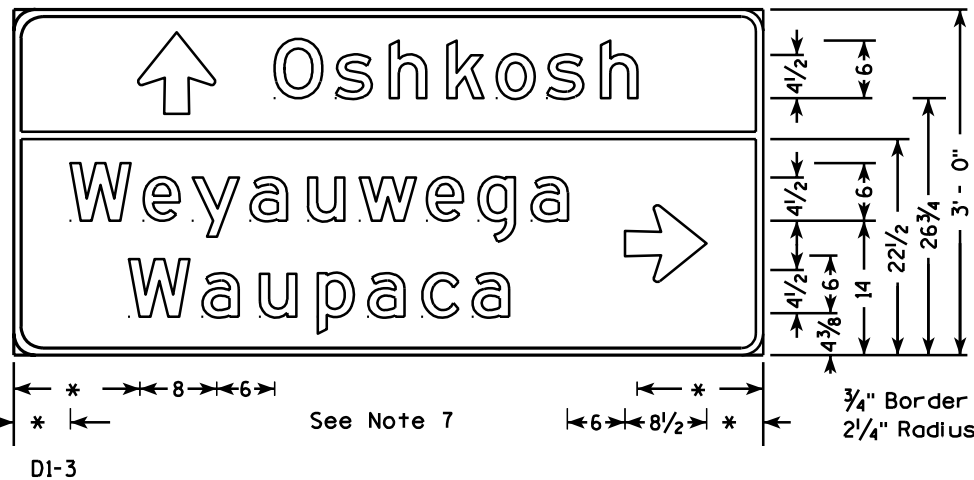
# TYPICAL EXAMPLES



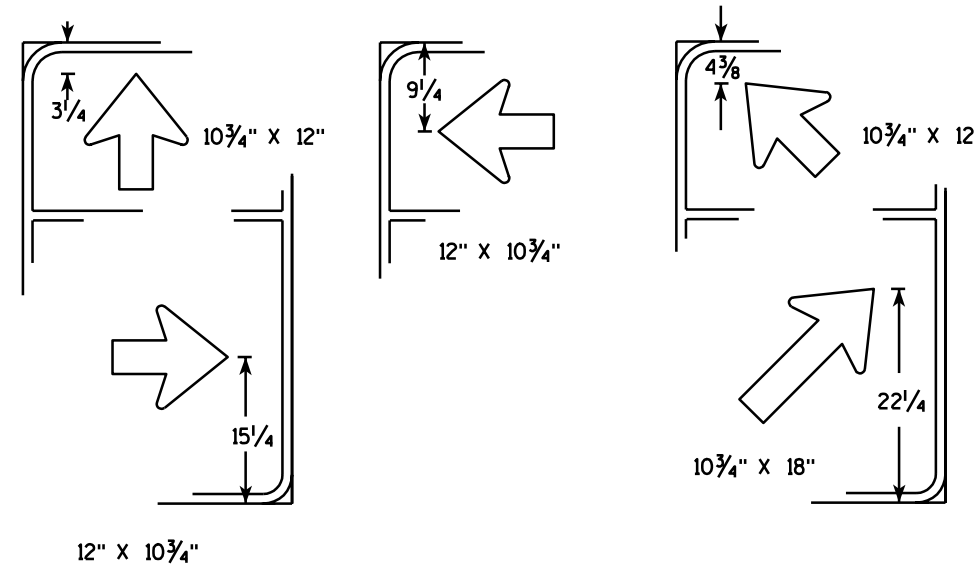
## NOTES

1. All signs are Type II - Type H Reflective
2. Color:  
Background - Green  
Message - White - Type H Reflective
3. Message Series for 3 3/4" L C is Series C and Series E for 4 1/2" L C and 6" L C.
4. Overall length of these signs is in 6" increments.
5. Arrows as per standard plate A1-2.
6. Tilt arrow is always at 45°.
7. Center shorter destination over or under longer destination.
8. Each line of copy including arrow or a grouping of two lines with arrow are centered on the board.

\* Minimum dimension normally height of upper case letter.



7



7

DESTINATION - DIRECTIONAL SIGNS	
WISCONSIN DEPT OF TRANSPORTATION	
APPROVED	<i>Christa J. Spang</i> for State Traffic Engineer
DATE 2/18/02	PLATE NO. A11-11 G.3