

3-POST STEEL POST SELECTION TABLE

| SIGN PANEL HEIGHT | MAXIMUM GROUND LINE TO BOTTOM OF PRINCIPAL SIGN PANEL |     |     |     |     |     |     |     |     |    | SIGN PANEL WIDTH |        |        |        |        |        |        |        |        |        |        |        |        |        |        |        |        |        |        |        |        |        |        |        |        |        |        |
|-------------------|---|-----|-----|-----|-----|-----|-----|-----|-----|----|------------------|--------|--------|--------|--------|--------|--------|--------|--------|--------|--------|--------|--------|--------|--------|--------|--------|--------|--------|--------|--------|--------|--------|--------|--------|--------|--------|
|                   | 14'   | 13' | 12' | 11' | 10' | 9'  | 8'  | 7'  | 6'  | 5' | 12'-0"           | 13'-0" | 14'-0" | 15'-0" | 16'-0" | 17'-0" | 18'-0" | 19'-0" | 20'-0" | 21'-0" | 22'-0" | 23'-0" | 24'-0" | 25'-0" | 26'-0" | 27'-0" | 28'-0" | 29'-0" | 30'-0" | 31'-0" | 32'-0" | 33'-0" | 34'-0" | 35'-0" | 36'-0" |        |        |
| 16'               | -   | -   | -   | -   | -   | -   | -   | -   | -   | -  | -                | -      | -      | -      | -      | -      | -      | -      | -      | -      | -      | -      | -      | -      | -      | -      | -      | -      | -      | -      | -      | -      | -      | -      | -      |        |        |
| 15'               | 16'   | -   | -   | -   | -   | -   | -   | -   | -   | -  | -                | -      | -      | -      | -      | -      | -      | -      | -      | -      | -      | -      | -      | -      | -      | -      | -      | -      | -      | -      | -      | -      | -      | -      | -      |        |        |
| 14'               | 15'   | 16' | -   | -   | -   | -   | -   | -   | -   | -  | W12X26           | W12X26 | W12X26 | W12X26 | W12X26 | -      | -      | -      | -      | -      | -      | -      | -      | -      | -      | -      | -      | -      | -      | -      | -      | -      | -      | -      | -      |        |        |
| 13'               | 14'   | 15' | 16' | -   | -   | -   | -   | -   | -   | -  | W12X26           | W12X26 | W12X26 | W12X26 | W12X26 | W12X26 | -      | -      | -      | -      | -      | -      | -      | -      | -      | -      | -      | -      | -      | -      | -      | -      | -      | -      | -      |        |        |
| 12'               | 13'   | 14' | 15' | 16' | -   | -   | -   | -   | -   | -  | W12X26           | W12X26 | W12X26 | W12X26 | W12X26 | W12X26 | -      | -      | -      | -      | -      | -      | -      | -      | -      | -      | -      | -      | -      | -      | -      | -      | -      | -      | -      |        |        |
| 11'               | 12'   | 13' | 14' | 15' | 16' | -   | -   | -   | -   | -  | W12X26           | W12X26 | W12X26 | W12X26 | W12X26 | W12X26 | -      | -      | -      | -      | -      | -      | -      | -      | -      | -      | -      | -      | -      | -      | -      | -      | -      | -      | -      |        |        |
| 10'               | 11'   | 12' | 13' | 14' | 15' | 16' | -   | -   | -   | -  | W12X26           | W12X26 | W12X26 | W12X26 | W12X26 | W12X26 | W12X26 | -      | -      | -      | -      | -      | -      | -      | -      | -      | -      | -      | -      | -      | -      | -      | -      | -      | -      |        |        |
| 9'                | 10'   | 11' | 12' | 13' | 14' | 15' | 16' | -   | -   | -  | W12X26           | W12X26 | W12X26 | W12X26 | W12X26 | W12X26 | W12X26 | W12X26 | -      | -      | -      | -      | -      | -      | -      | -      | -      | -      | -      | -      | -      | -      | -      | -      | -      | -      |        |
| 8'                | 9'  | 10' | 11' | 12' | 13' | 14' | 15' | 16' | -   | -  | W12X26           | W12X26 | W12X26 | W12X26 | W12X26 | W12X26 | W12X26 | W12X26 | W12X26 | W12X26 | W12X26 | W12X26 | W12X26 | W12X26 | W12X26 | W12X26 | W12X26 | W12X26 | W12X26 | W12X26 | W12X26 | W12X26 | W12X26 | W12X26 | W12X26 |        |        |
| 7'                | 8'  | 9'  | 10' | 11' | 12' | 13' | 14' | 15' | 16' | -  | W10X22           | W12X26 | W12X26 | W12X26 | W12X26 | W12X26 | W12X26 | W12X26 | W12X26 | W12X26 | W12X26 | W12X26 | W12X26 | W12X26 | W12X26 | W12X26 | W12X26 | W12X26 | W12X26 | W12X26 | W12X26 | W12X26 | W12X26 | W12X26 | W12X26 | W12X26 |        |
| 6'                | 7'  | 8'  | 9'  | 10' | 11' | 12' | 13' | 14' | 15' | -  | W10X22           | W10X22 | W12X26 | W12X26 | W12X26 | W12X26 | W12X26 | W12X26 | W12X26 | W12X26 | W12X26 | W12X26 | W12X26 | W12X26 | W12X26 | W12X26 | W12X26 | W12X26 | W12X26 | W12X26 | W12X26 | W12X26 | W12X26 | W12X26 | W12X26 | W12X26 | W12X26 |
| 5'                | 6'  | 7'  | 8'  | 9'  | 10' | 11' | 12' | 13' | 14' | -  | W10X22           | W10X22 | W10X22 | W10X22 | W12X26 | W12X26 | W12X26 | W12X26 | W12X26 | W12X26 | W12X26 | W12X26 | W12X26 | W12X26 | W12X26 | W12X26 | W12X26 | W12X26 | W12X26 | W12X26 | W12X26 | W12X26 | W12X26 | W12X26 | W12X26 | W12X26 | W12X26 |
| 4'                | 5'  | 6'  | 7'  | 8'  | 9'  | 10' | 11' | 12' | 13' | -  | W8X21            | W10X22 | W10X22 | W10X22 | W10X22 | W12X26 | W12X26 | W12X26 | W12X26 | W12X26 | W12X26 | W12X26 | W12X26 | W12X26 | W12X26 | W12X26 | W12X26 | W12X26 | W12X26 | W12X26 | W12X26 | W12X26 | W12X26 | W12X26 | W12X26 | W12X26 | W12X26 |
| -                 | 4'  | 5'  | 6'  | 7'  | 8'  | 9'  | 10' | 11' | 12' | -  | W8X21            | W8X21  | W10X22 | W10X22 | W10X22 | W10X22 | W10X22 | W10X22 | W12X26 | W12X26 | W12X26 | W12X26 | W12X26 | W12X26 | W12X26 | W12X26 | W12X26 | W12X26 | W12X26 | W12X26 | W12X26 | W12X26 | W12X26 | W12X26 | W12X26 | W12X26 |        |
| -                 | -   | 4'  | 5'  | 6'  | 7'  | 8'  | 9'  | 10' | 11' | -  | W8X18            | W8X21  | W8X21  | W10X22 | W10X22 | W10X22 | W10X22 | W10X22 | W12X26 | W12X26 | W12X26 | W12X26 | W12X26 | W12X26 | W12X26 | W12X26 | W12X26 | W12X26 | W12X26 | W12X26 | W12X26 | W12X26 | W12X26 | W12X26 | W12X26 | W12X26 |        |
| -                 | -   | -   | 4'  | 5'  | 6'  | 7'  | 8'  | 9'  | 10' | -  | W8X18            | W8X18  | W8X21  | W8X21  | W8X21  | W8X21  | W10X22 | W10X22 | W10X22 | W10X22 | W10X22 | W10X22 | W10X22 | W10X22 | W10X22 | W10X22 | W10X22 | W10X22 | W10X22 | W10X22 | W10X22 | W10X22 | W10X22 | W10X22 | W10X22 | W10X22 |        |
| -                 | -   | -   | -   | 4'  | 5'  | 6'  | 7'  | 8'  | 9'  | -  | W8X18            | W8X18  | W8X18  | W8X18  | W8X21  | W8X21  | W8X21  | W10X22 | W10X22 | W10X22 | W10X22 | W10X22 | W10X22 | W10X22 | W10X22 | W10X22 | W10X22 | W10X22 | W10X22 | W10X22 | W10X22 | W10X22 | W10X22 | W10X22 | W10X22 | W10X22 |        |
| -                 | -   | -   | -   | -   | 4'  | 5'  | 6'  | 7'  | 8'  | -  | W6X15            | W8X18  | W8X18  | W8X18  | W8X18  | W8X18  | W8X18  | W8X21  | W8X21  | W8X21  | W8X21  | W8X21  | W8X21  | W8X21  | W8X21  | W8X21  | W10X22 | W10X22 | W10X22 | W10X22 | W10X22 | W10X22 | W10X22 | W10X22 | W10X22 | W10X22 |        |
| -                 | -   | -   | -   | -   | -   | 4'  | 5'  | 6'  | 7'  | -  | W6X15            | W6X15  | W8X18  | W8X18  | W8X18  | W8X18  | W8X18  | W8X18  | W8X18  | W8X18  | W8X18  | W8X18  | W8X18  | W8X18  | W8X18  | W8X18  | W8X18  | W8X18  | W8X18  | W8X18  | W8X18  | W8X18  | W8X18  | W8X18  | W8X18  | W8X18  |        |

SEE "2-POST SIGN CONFIGURATION" SHEET

STEEL POST SELECTION NOTES:

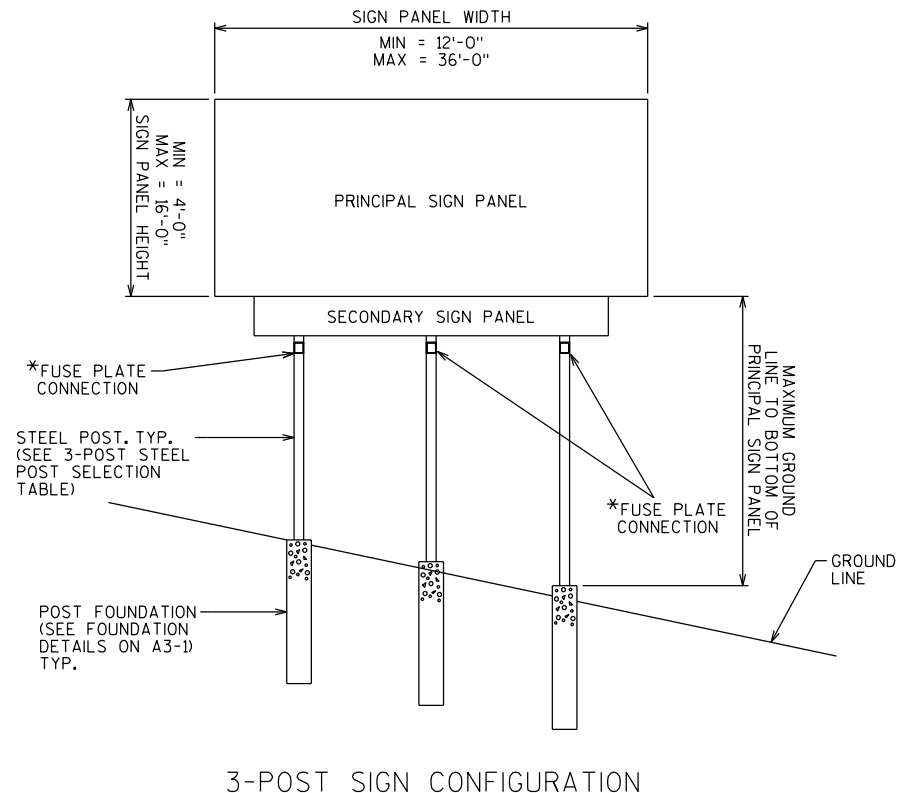
USE PROPOSED SIGN PANEL DIMENSIONS AND THE MAXIMUM HEIGHT FROM THE GROUND LINE TO THE BOTTOM OF THE PRINCIPAL SIGN PANEL TO DETERMINE THE MINIMUM REQUIRED STEEL POST SIZE.

"-" INDICATES THAT THERE IS NO STANDARD STEEL POST DESIGN FOR THE PROPOSED SIGN CONFIGURATION. CONTACT THE WISDOT BUREAU OF STRUCTURES TO REQUEST AN ANALYSIS AND DESIGN FOR THE PROPOSED SIGN CONFIGURATION.

IF A PROPOSED SIGN PANEL HEIGHT DIMENSION IS IN A 6" INCREMENT, SELECT THE MINIMUM REQUIRED STEEL POST SIZE THAT FALLS WITHIN THE NEXT LARGEST 1-FOOT INCREMENT. (FOR EXAMPLE, IF THE REQUIRED SIGN PANEL HEIGHT IS 12'-6", SELECT THE POST SIZE BASED ON A SIGN PANEL HEIGHT OF 13'-0")

FOR PROPOSED SIGN CONFIGURATIONS WHERE THE POST HEIGHTS VARY, SELECT THE STEEL POST SIZE BASED ON THE MAXIMUM DIMENSION FROM THE GROUND LINE TO THE BOTTOM OF PRINCIPAL SIGN PANEL. (FOR EXAMPLE, IF THE DIMENSION FROM THE GROUND LINE TO THE BOTTOM OF THE PRINCIPAL SIGN PANEL IS 8- FEET FOR ONE POST AND 10- FEET FOR THE SECOND POST, SELECT THE POST SIZE BASED ON THE 10- FOOT DIMENSION.)

\*FUSE PLATE INSTALLED BELOW LOWEST SIGN PANEL AS SHOWN IN "POST DETAIL" IN A3-1.



3-POST SIGN CONFIGURATION

|   |      |             |              |
|---|------|-------------|--------------|
| NO.   | DATE | REVISION    | BY           |
| STATE OF WISCONSIN<br>DEPARTMENT OF TRANSPORTATION<br>STRUCTURES DESIGN SECTION |      |             |              |
| STRUCTURE BTO TYPE I SIGNS  |      |             |              |
| DRAWN BY  |      | PLANS CK'D. |              |
| 3-POST SIGN CONFIGURATION   |      |             | SHEET A3-3.3 |