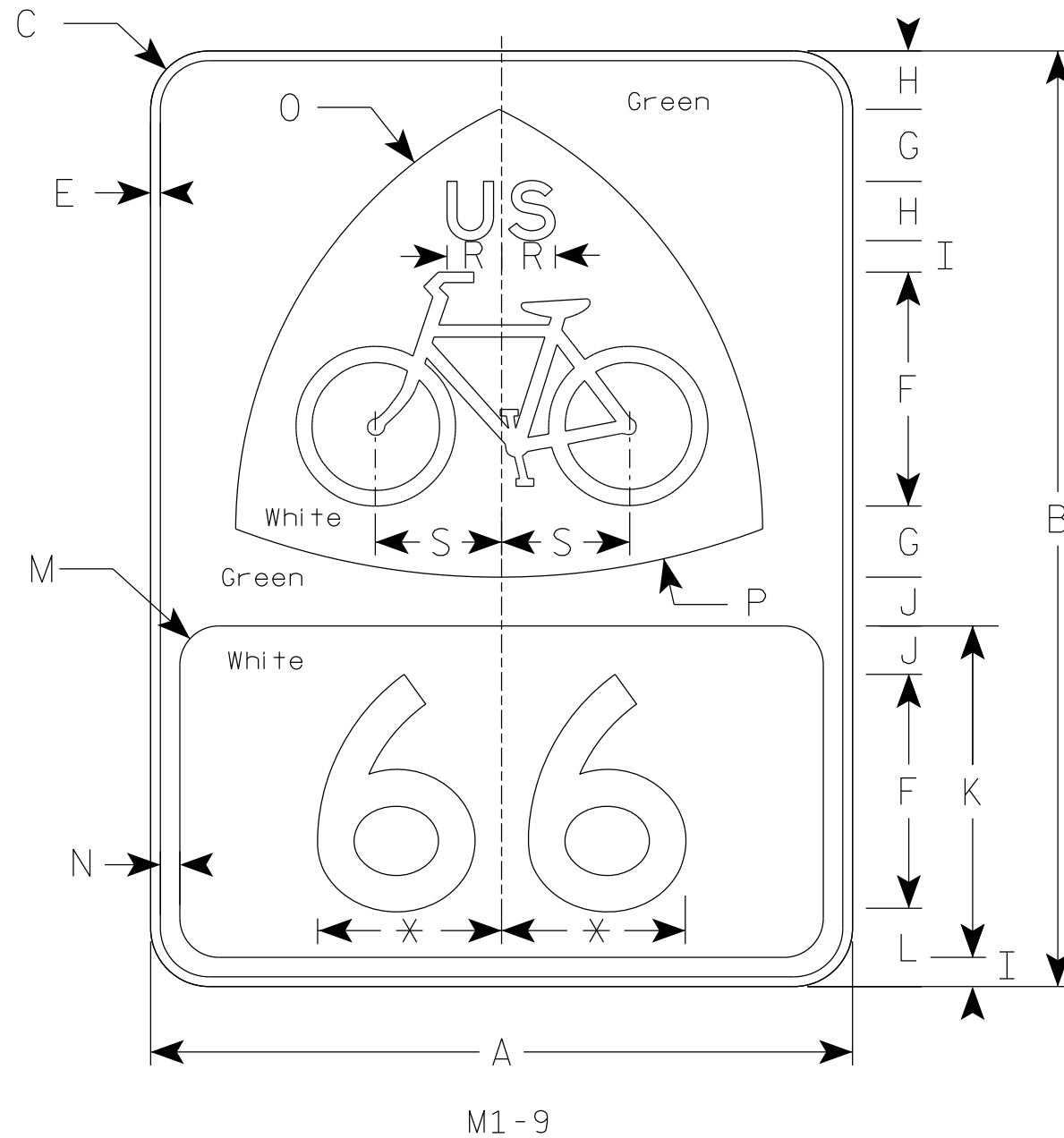


NOTES

1. Sign is Type II - Type H Reflective
2. Color:
Background - White
Message - Green
3. Message Series - Line 1 - Series E
Line 2 - Series D



* - Optically center numbers to fit

SIZE	A	B	C	D	E	F	G	H	I	J	K	L	M	N	O	P	Q	R	S	T	U	V	W	X	Y	Z	Area sq. ft.
1																											
2S	18	24	1 1/2		1/4	6	1 7/8	1 1/2	3/4	1 1/4	8 1/2	2	1	1/2	12	19		1 3/8	3 1/4							3.0	
2M	18	24	1 1/2		1/4	6	1 7/8	1 1/2	3/4	1 1/4	8 1/2	2	1	1/2	12	19		1 3/8	3 1/4							3.0	
3																											
4																											
5																											

STANDARD SIGN
M1-9

WISCONSIN DEPT OF TRANSPORTATION

APPROVED *Matthew R Rauch*
for State Traffic Engineer

DATE 12/22/21 PLATE NO. M1-9.2

7

7