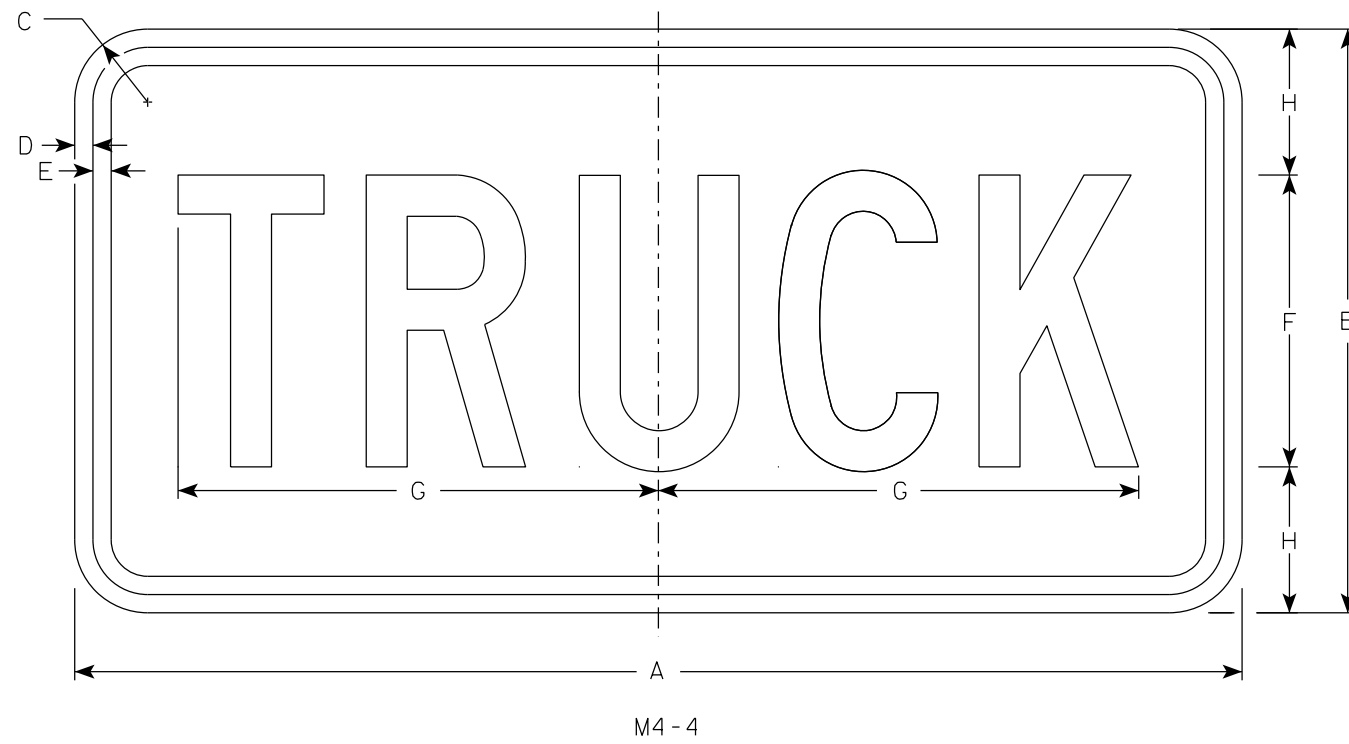


NOTES

1. Sign is Type II - Type H Reflective
2. Color:
 - Background - White
 - Message - Black
3. Message Series - C



7

7

SIZE	A	B	C	D	E	F	G	H	I	J	K	L	M	N	O	P	Q	R	S	T	U	V	W	X	Y	Z	Area sq. ft.
1																											
2	24	12	1 1/2	3/8	3/8	6	9 7/8	3																			2.0
2M	24	12	1 1/2	3/8	3/8	6	9 7/8	3																			2.0
3	36	18	1 1/2	3/8	1/2	9	15 5/8	4 1/2																			4.5
4	36	18	1 1/2	3/8	1/2	9	15 5/8	4 1/2																			4.5
5	36	18	1 1/2	3/8	1/2	9	15 5/8	4 1/2																			4.5

STANDARD SIGN
M4-4

WISCONSIN DEPT OF TRANSPORTATION

APPROVED *Matthew R. Rauch*
for State Traffic Engineer

DATE 11/21/2022 PLATE NO. M4-4.4

PROJECT NO: _____ HWY: _____ COUNTY: _____ SHEET NO: **E**