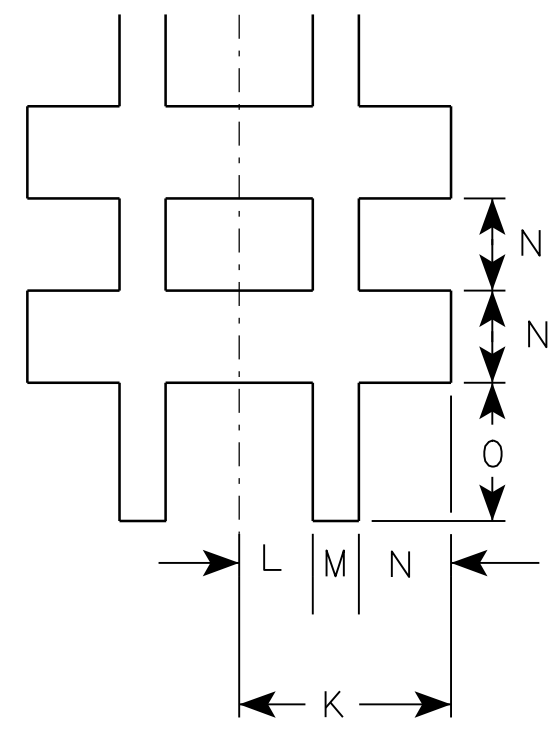


W10-12

NOTES

1. Sign is Type II - Type F Reflective - reference WIS DOT Standard Specification for HIGHWAY and STRUCTURE CONSTRUCTION latest edition.
2. Color:
Background - YELLOW
Message - BLACK
3. W10-12L same as W10-12R except symbol is reversed.

BLOW UP OF DETAIL



7

7

SIZE	A	B	C	D	E	F	G	H	I	J	K	L	M	N	O	P	Q	R	S	T	U	V	W	X	Y	Z	Area sq. ft.
1																											
2S	36		1 3/8	1/2	5/8	17 3/8	13 3/4	7 3/4	6	9 7/8	3 1/2	1 1/4	3/4	1 1/2	2 1/4												9
2M	36		1 3/8	1/2	5/8	17 3/8	13 3/4	7 3/4	6	9 7/8	3 1/2	1 1/4	3/4	1 1/2	2 1/4												9
3	48		2 1/4	3/4	1	23 1/8	18 1/4	10 1/4	8	13 1/4	4 1/2	1 1/2	1	2	3												16
4	48		2 1/4	3/4	1	23 1/8	18 1/4	10 1/4	8	13 1/4	4 1/2	1 1/2	1	2	3												16
5	48		2 1/4	3/4	1	23 1/8	18 1/4	10 1/4	8	13 1/4	4 1/2	1 1/2	1	2	3												16

STANDARD SIGN
W10-12

WISCONSIN DEPT OF TRANSPORTATION

APPROVED *Matthew R. Rauch*
For State Traffic Engineer

DATE 3/13/13 PLATE NO. W10-12.4

PROJECT NO: _____ HWY: _____ COUNTY: _____ SHEET NO: **E**