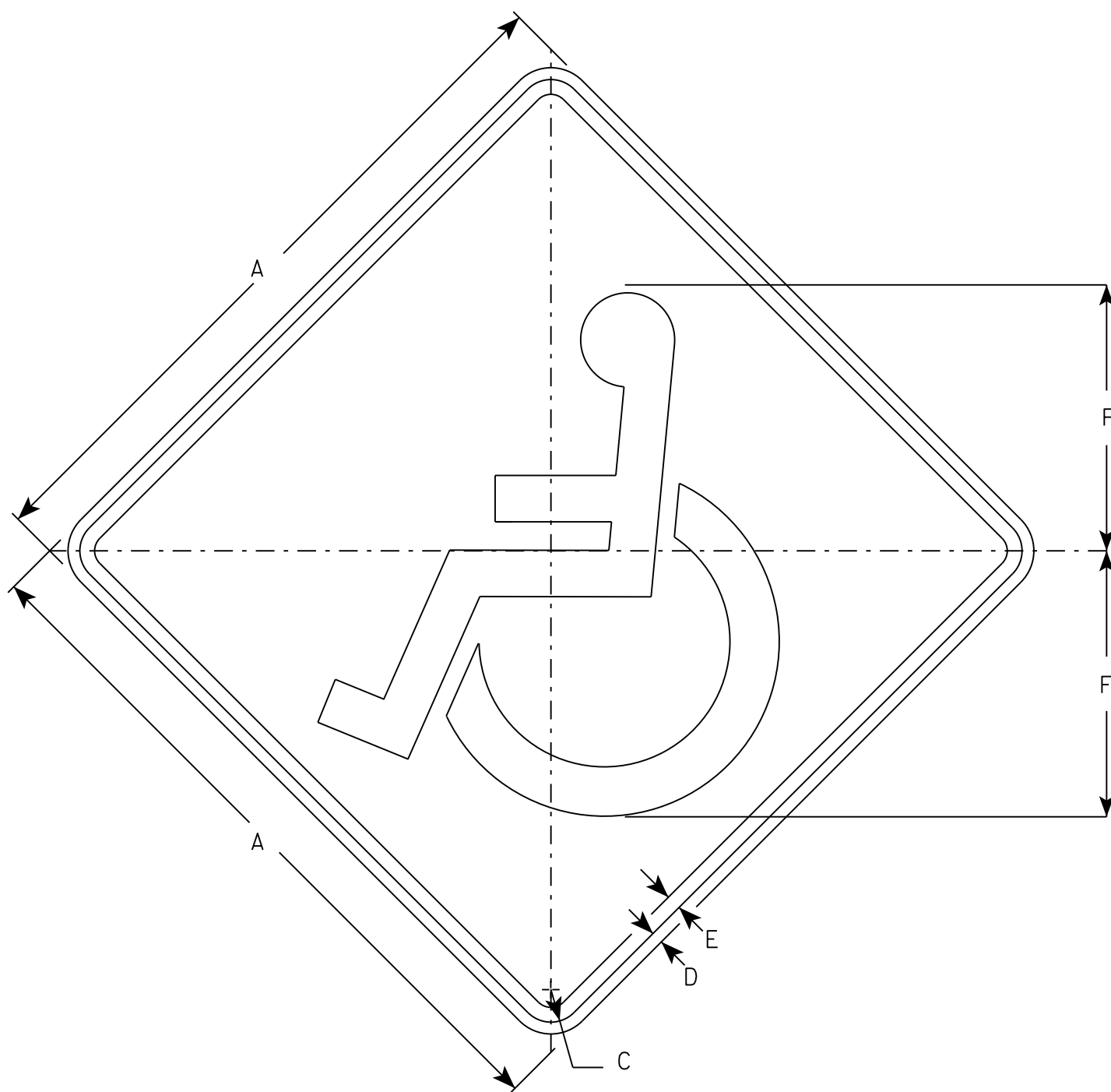


NOTES

1. Sign is Type II - Type F Reflective
2. Color:
Background - YELLOW
Symbol - BLACK



W11-9

7

SIZE	A	B	C	D	E	F	G	H	I	J	K	L	M	N	O	P	Q	R	S	T	U	V	W	X	Y	Z	Area sq. ft.
1	24		1 1/8	3/8	1/2	9																					4.0
2S	30		1 3/8	1/2	5/8	11 1/4																					6.25
2M	36		1 5/8	5/8	3/4	13 1/2																					9.0
3	36		1 5/8	5/8	3/4	13 1/2																					9.0
4	48		2 1/4	3/4	1	18																					16.0
5																											

STANDARD SIGN	
W11-9	
WISCONSIN DEPT OF TRANSPORTATION	
APPROVED	<i>Matthew R. Rauch</i> for State Traffic Engineer
DATE 7/28/16	PLATE NO. W11-9.4