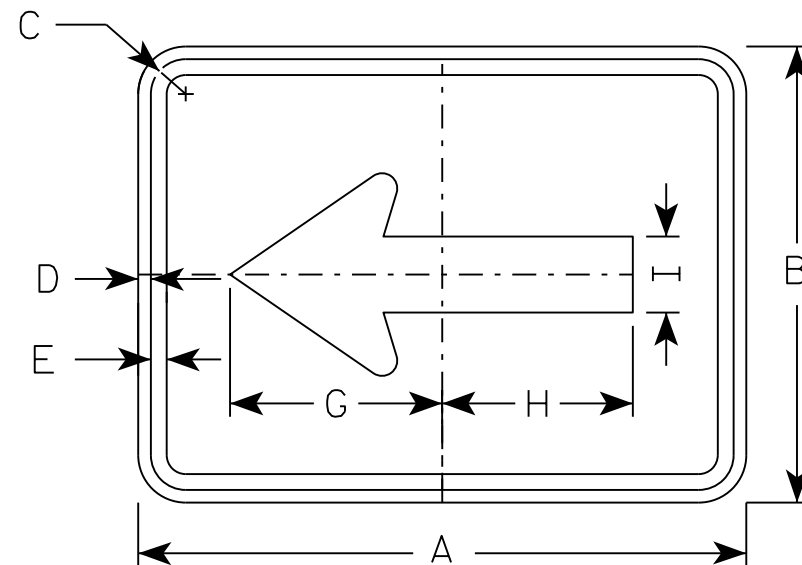
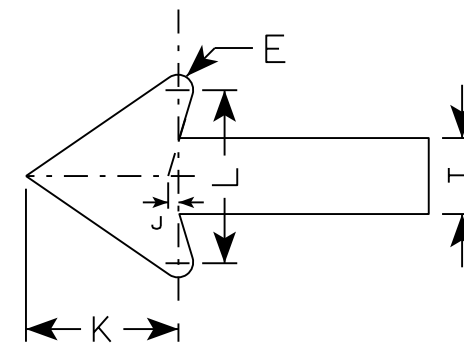


NOTES

1. Sign is Type II - Type F Reflective
2. Color:  
Background - YELLOW  
Message - BLACK
3. W16-5PR is the same as W16-5PL except the arrow is reversed along the vertical centerline.



W16-5PL



SIZE	A	B	C	D	E	F	G	H	I	J	K	L	M	N	O	P	Q	R	S	T	U	V	W	X	Y	Z	Area sq. ft.
1																											
2S	24	18	1 3/8	1/2	5/8		8 3/8	7 1/2	3	3/8	6	6 7/8															3.0
2M	24	18	1 3/8	1/2	5/8		8 3/8	7 1/2	3	3/8	6	6 7/8															3.0
3																											
4																											
5																											

STANDARD SIGN

W16-5P

WISCONSIN DEPT OF TRANSPORTATION

APPROVED *Matthew R. Rauch*  
For State Traffic Engineer

DATE 3/15/18 PLATE NO. W16-5P.2

PROJECT NO: \_\_\_\_\_ HWY: \_\_\_\_\_ COUNTY: \_\_\_\_\_ SHEET NO: **E**