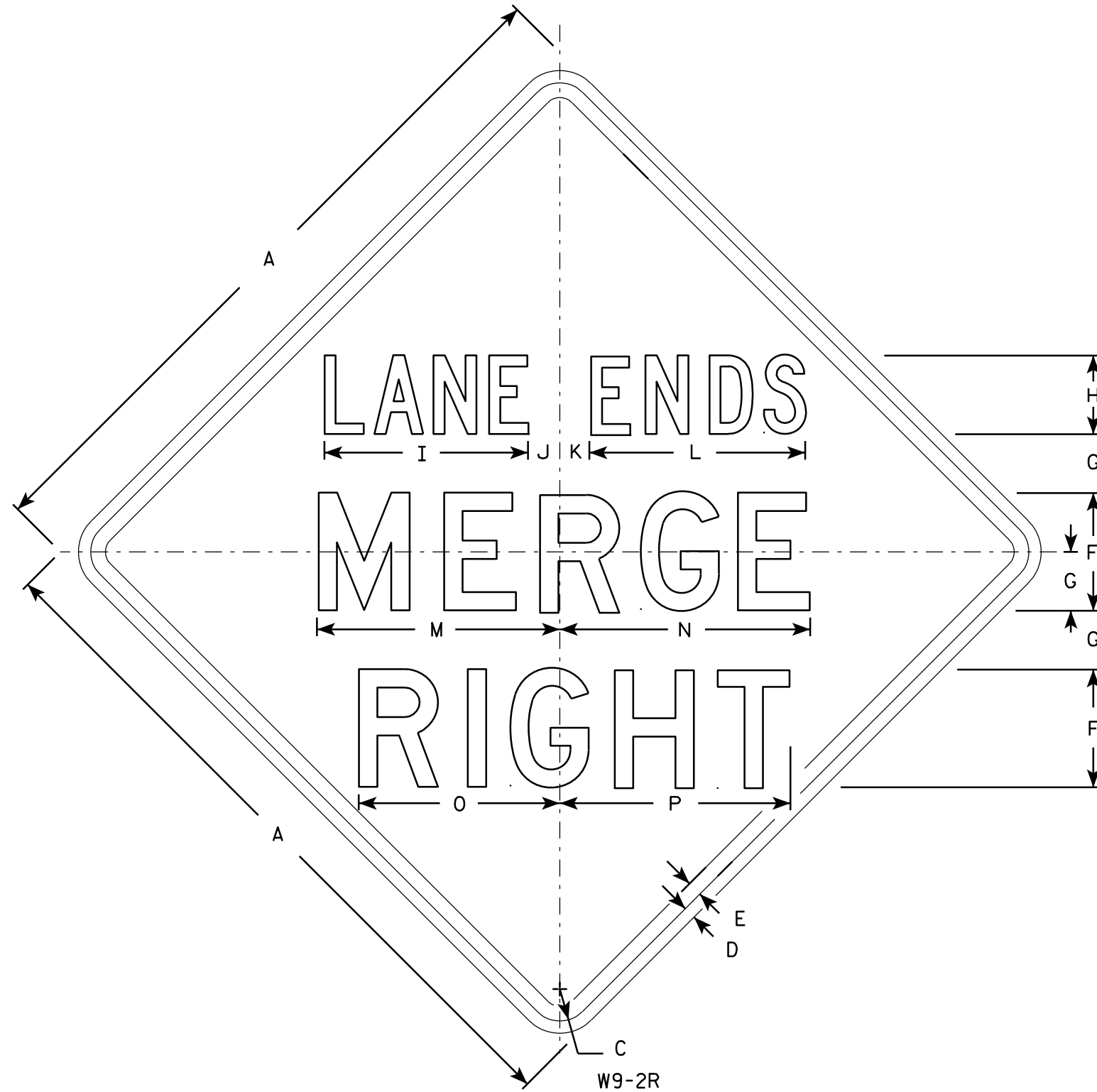
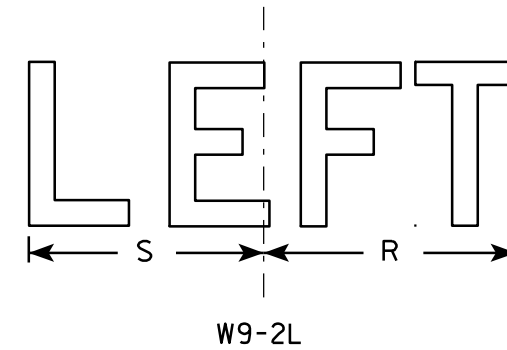


NOTES

1. Sign is Type II - Type F Reflective - reference WIS DOT Standard Specification for HIGHWAY and STRUCTURE CONSTRUCTION latest edition.
2. Color:
Background - Yellow
Message - Black
3. Message Series - See note 5
4. Corners may be square or rounded when base material is plywood but borders shall be rounded as shown. When base material is metal, the corners and borders shall be rounded.
5. Line 1 is Series C, lines 2 & 3 are Series D.
6. W9-1L is the same as W9-2R except the word LEFT replaces RIGHT.



SIZE	A	B	C	D	E	F	G	H	I	J	K	L	M	N	O	P	Q	R	S	T	U	V	W	X	Y	Z	Area sq. ft.
1	30		1 3/8	1/2	5/8	5	2 1/2	3	8	1	1 1/8	8 1/4	10 3/8	10 5/8	8 5/8	9 7/8		7 5/8	7 1/8								6.25
2S	36		1 5/8	5/8	3/4	6	3	4	10 3/8	1 5/8	1 1/2	11	12 3/8	12 3/4	10 1/4	11 3/4		9 1/8	8 1/2								9.0
2M	36		1 5/8	5/8	3/4	6	3	4	10 3/8	1 5/8	1 1/2	11	12 3/8	12 3/4	10 1/4	11 3/4		9 1/8	8 1/2								9.0
3																											
4	48		2 1/4	3/4	1	8	4	6	14 1/2	2	3 1/4	13 3/4	16 3/8	17 1/8	13 3/4	15 3/4		12 1/4	11 1/4								16.0
5	48		2 1/4	3/4	1	8	4	6	14 1/2	2	3 1/4	13 3/4	16 3/8	17 1/8	13 3/4	15 3/4		12 1/4	11 1/4								16.0

STANDARD SIGN
W9-2

WISCONSIN DEPT OF TRANSPORTATION
APPROVED *Matthew R. Rauch*
State Traffic Engineer
DATE 03/18/13 PLATE NO. W9-2.10