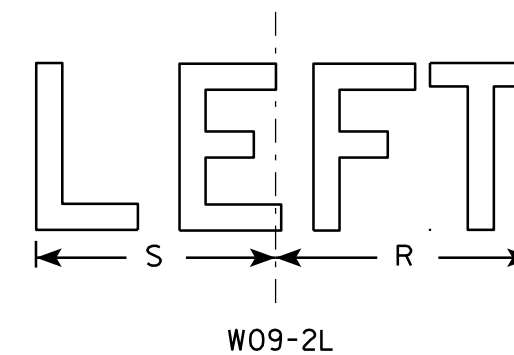


NOTES

1. Sign is Type II - Type F Reflective - reference WIS DOT Standard Specification for HIGHWAY and STRUCTURE CONSTRUCTION latest edition.
2. Color:
Background - Orange
Message - Black
3. Message Series - See note 5
4. Corners may be square or rounded when base material is plywood but borders shall be rounded as shown. When base material is metal, the corners and borders shall be rounded.
5. Line 1 is Series C, lines 2 & 3 are Series D.
6. W09-2L is the same as W09-2R except the word LEFT replaces RIGHT.



SIZE	A	B	C	D	E	F	G	H	I	J	K	L	M	N	O	P	Q	R	S	T	U	V	W	X	Y	Z	Area sq. ft.
1	36		1 5/8	5/8	3/4	6	3	4	10 3/8	1 5/8	1 1/2	11	12 3/8	12 3/4	10 1/4	11 3/4		9 1/8	8 1/2								9.0
2S	48		2 1/4	3/4	1	8	4	6	14 1/2	2	3 1/4	13 3/4	16 3/8	17 1/8	13 3/4	15 3/4		12 1/4	11 1/4								16.0
2M	48		2 1/4	3/4	1	8	4	6	14 1/2	2	3 1/4	13 3/4	16 3/8	17 1/8	13 3/4	15 3/4		12 1/4	11 1/4								16.0
3	48		2 1/4	3/4	1	8	4	6	14 1/2	2	3 1/4	13 3/4	16 3/8	17 1/8	13 3/4	15 3/4		12 1/4	11 1/4								16.0
4	48		2 1/4	3/4	1	8	4	6	14 1/2	2	3 1/4	13 3/4	16 3/8	17 1/8	13 3/4	15 3/4		12 1/4	11 1/4								16.0
5	48		2 1/4	3/4	1	8	4	6	14 1/2	2	3 1/4	13 3/4	16 3/8	17 1/8	13 3/4	15 3/4		12 1/4	11 1/4								16.0

STANDARD SIGN
W09-2

WISCONSIN DEPT OF TRANSPORTATION

APPROVED *Matthew R. Rauch*
for State Traffic Engineer

DATE 12/02/13 PLATE NO. W09-2.1

PROJECT NO:

SHEET NO:

E