



# Wisconsin Department of Transportation

## Division of Transportation Systems Development

Bureau of Project Development  
4822 Madison Yards Way, 4<sup>th</sup> Floor South  
Madison, WI 53705

December 5, 2019

Telephone: (608) 266-1631  
Facsimile (FAX): (608) 266-8459

### NOTICE TO ALL CONTRACTORS:

**Proposal #41: 8760-00-70, WISC 2019 763**  
**Oliver - Superior**  
**Pokegama River Bridge B-16-0143**  
**STH 105**  
**Douglas County**

### Letting of December 10, 2019

This is Addendum No. 01, which provides for the following:

#### Schedule of Items:

Revised Bid Item Quantities					
Bid Item	Item Description	Unit	Old Quantity	Revised Quantity	Proposal Total
465.0105	Asphaltic Surface	Ton	70	595	665
460.2000	Incentive Density HMA Pavement	DOL	1,190	-390	800

Deleted Bid Item Quantities					
Bid Item	Item Description	Unit	Old Quantity	Revised Quantity	Proposal Total
460.6223	HMA Pavement 3MT 58-28 S	Ton	595	-595	0

#### Plan Sheets:

Revised Plan Sheets	
Plan Sheet	Plan Sheet Title (brief description of changes to sheet)
2	General Notes -- text change from HMA Pavement 3MT 58-28- S to Asphaltic Surface
4	Typical Section -- text change from HMA Pavement 3MT 58-28 S to Asphaltic Surface
18	Misc. Quantity -- remove quantity HMA 3MT 58-28 S and revise Asphaltic Surface

**Schedule of Items**

Attached, dated December 5, 2019, are the revised Schedule of Items Pages 2 and 3.

**Plan Sheets**

The following 8½ x 11-inch sheets are attached and made part of the plans for this proposal:

Revised: 2, 4, 18.

The responsibility for notifying potential subcontractors and suppliers of these changes remains with the prime contractor.

Sincerely,

*Mike Coleman*

Proposal Development Specialist  
Proposal Management Section

END OF ADDENDUM

**UTILITY CONTACTS**

CHARTER COMMUNICATIONS - COMMUNICATION LINE  
NICK WALTERS  
640 GARFIELD AVE  
STEVENS POINT, WI 54482  
(218) 463-5485  
Nick.Walters@charter.com

SUPERIOR WATER, LIGHT & POWER - GAS  
JAMIE MEHLE  
SUPERIOR, WI  
SUPERIOR, WI 54880  
(715) 394-2200  
jmehle@swlp.com

SUPERIOR WATER, LIGHT & POWER - ELECTRIC  
KEVIN KOSKULA  
SUPERIOR, WI  
SUPERIOR, WI 54880  
(715) 395-6241  
Koskula@swlp.com

CENTURYLINK - COMMUNICATION LINE  
RICE LAKE, WI  
20 S WILSON AVENUE  
RICE LAKE, WI 54888  
Russell.Vance@centurylink.com

**DNR CONTACT**

AMY CROOK  
DNR NORTHERN REGION HQ  
3700 WARDEN STREET  
STEVENS POINT, WI 54482  
amy.ccrook@wisconsin.gov

**CONSULTANT CONTACT**

CORRE INC.  
1802 WARDEN STREET  
EAU CLAIRE, WI 54923  
CORRE INC.  
715-299-1894  
kmeyer@correinc.com

**GENERAL NOTES**

- ELEVATIONS SHOWN ON THE PLAN ARE REFERENCED TO NAV 88.
- WHEN THE QUANTITY OF BASE, AGGREGATE, OR ASPHALT SURFACE IS MEASURED FOR PAYMENT BY THE TON, THE DEPTH OR THICKNESS OF THE LAYER SHOWN ON THE PLANS IS APPROXIMATE AND THE ACTUAL THICKNESS WILL DEPEND ON THE DISTRIBUTION OF THE MATERIAL AS DIRECTED BY THE ENGINEER.
- THE LOCATION OF EXISTING AND PROPOSED UTILITY INSTALLATIONS AS SHOWN ON THE PLANS IS APPROXIMATE. THERE MAY BE OTHER UTILITY INSTALLATIONS WITHIN THE PROJECT AREA THAT ARE NOT SHOWN.
- NO TREES OR SHRUBS ARE TO BE REMOVED WITHOUT THE APPROVAL OF THE ENGINEER.
- CURVE DATA IS BASED ON THE ARC DEFINITION.
- DISCUBER AREAS WITHIN THE RIGHT OF WAY, EXCEPT THE AREAS WITHIN THE FINISHED SHOULDER PAVEMENT, ARE TO BE 4-INCH SALVAGED TOPSOILED, FERTILIZED, AND SEEDED AND EMAT.
- BEARINGS SHOWN ON THE PLANS ARE GRID BEARINGS TO THE NEAREST SECOND.
- CONSTRUCTION LIMITS OF ALL DRIVEWAYS WILL BE DETERMINED BY THE ENGINEER. A VERTICAL SAWCUT SHALL BE MADE THROUGH EXISTING DRIVEWAYS AND PAVEMENTS AT REMOVAL LIMITS.
- SILT FENCES TO BE PLACED AS SHOWN ON THE PLANS OR AS DIRECTED BY THE ENGINEER, AND IN PLACE PRIOR TO REMOVALS OR GROUND DISTURBING ACTIVITIES.
- UTILITY REFERENCE LINES ON THE CROSS SECTIONS ARE FOR HORIZONTAL REFERENCE ONLY.
- EROSION CONTROL FEATURES AS SHOWN IN THE PLANS ARE AT SUGGESTED LOCATIONS, AND SHALL BE DETERMINED BY THE E.C.I.P. AND APPROVED BY THE ENGINEER IN THE FIELD.
- MANHOLE HMA PAVEMENT SHALL CONSIST OF 5.75-INCHES, TWO 2-INCH 4MFT 58-28S LOWER LIFTS, AND A 1.75-INCH 4MFT 58-34S UPPER LIFT.
- BYPASS HMA PAVEMENT SHALL CONSIST OF A 3-INCH ASPHALTIC SURFACE LIFT.

**Addendum No. 01  
ID 8760-00-70  
Revised Sheet 2  
December 5, 2019**



RUNOFF COEFFICIENT TABLE

LAND USE	HYDROLOGIC SOIL GROUP												
	A		B			C			D				
	SLOPE RANGE (PERCENT)	6 & OVER	SLOPE RANGE (PERCENT)	2-6	6 & OVER	SLOPE RANGE (PERCENT)	0-2	2-6	6 & OVER	SLOPE RANGE (PERCENT)	0-2	2-6	6 & OVER
ROW CROPS	.08	.16	.22	.20	.27	.15	.24	.33	.19	.28	.38	.38	.38
MEDIAN STRIP-TURF	.19	.20	.24	.19	.22	.26	.20	.23	.30	.25	.30	.30	.30
SIDE SLOPE-TURF	.24	.26	.30	.25	.28	.35	.26	.30	.37	.32	.40	.36	.38
PAVEMENT:													
ASPHALT						.70-.95							
CONCRETE						.80-.95							
BRICK						.70-.80							
DRIVES, WALKS						.75-.85							
ROOFS						.75-.95							
GRAVEL ROADS, SHOULDERS						.40-.60							

TOTAL PROJECT AREA = 7.62 ACRES  
TOTAL AREA EXPECTED TO BE DISTURBED BY CONSTRUCTION ACTIVITIES = 4.96 ACRES

**ORDER OF SECTION 2 SHEETS**

- TYPICAL SECTIONS
- CONSTRUCTION DETAILS
- EROSION CONTROL PLAN
- UTILITY PLAN
- MARKING
- STAGE CONSTRUCTION

PROJECT NO: 8760-00-70

HWY: STH 105

COUNTY: DOUGLAS

GENERAL NOTES

SHEET 2

E

FILE NAME: P:\WI\NW REGION\8760-00-00\_DOUGLAS\_CO\_STH 105\500\_CADD\501\_CAD\_2018\8760000\05SHEETS\PLAN\02\0101.GNDWG

LAYOUT NAME: 000101.dwg

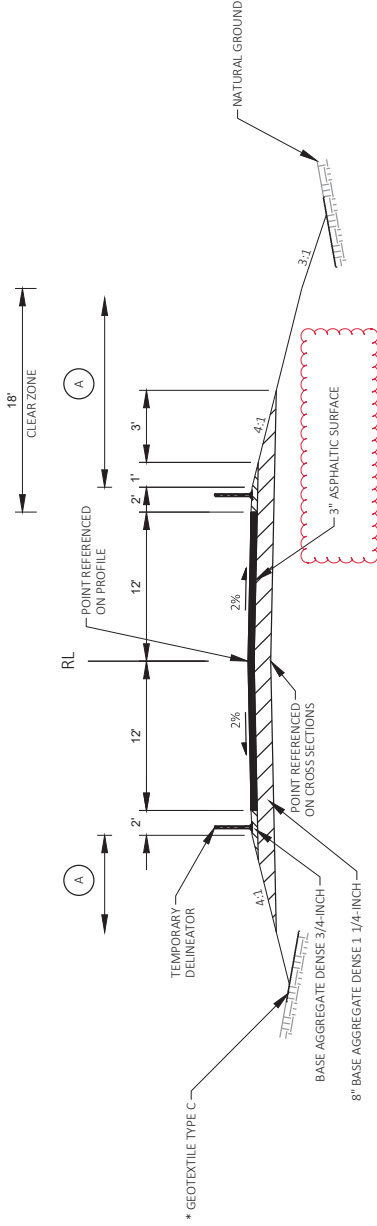
PLOT DATE: 12/3/2019 3:53 PM

PLOT NAME:

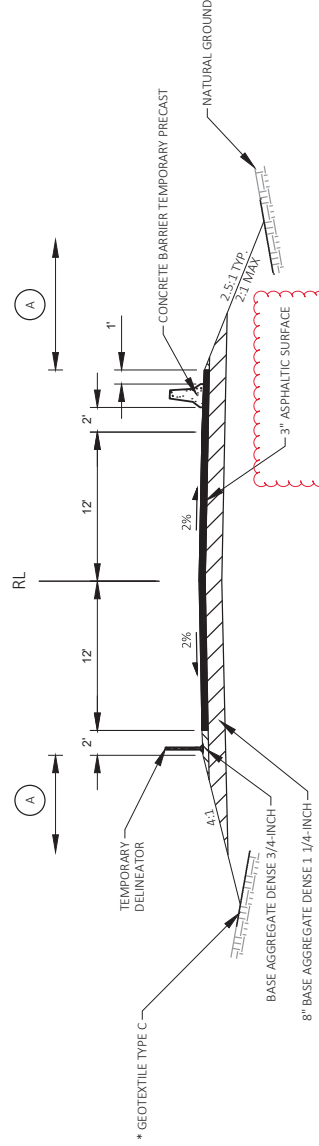
1 IN=100 FT

WISS07/CADD5 SHEET 42

Addendum No. 01  
ID 8760-00-70  
Revised Sheet 4  
December 5, 2019



FINISHED TYPICAL SECTION STH 105 BYPASS  
STA 0+50 TO 7+32.47  
STA 11+00 TO 15+58



FINISHED TYPICAL SECTION STH 105 BYPASS  
STA 8+24.21 TO 11+00

(A) TEMPORARY SLOPE PROTECTION

NOTE: FOR FILL SECTIONS PLACE GEOTEXTILE TYPE C AND EXTEND 3 FT BEYOND THE TOE OF SLOPE IN BOTH DIRECTIONS TO ALLOW FOR SHARPING STREAM BANK BACK TO ORIGINAL/ NATURAL CONDITION.  
\* STA 7+00 TO 7+40, STA 8+00 TO 8+30

PROJECT NO: 8760-00-70	HWY: STH 105	COUNTY: DOUGLAS	PLAN: TYPICAL SECTIONS	SHEET 4	E
FILE NAME: P:\W\1\NW REGION\8760-00-00_DOUGLAS_CO_STH 105\500_CADD\501_CAD_2018\8760000\0\SHEETS\PLAN\02\0301.15.DWG		LOT DATE: 12/3/2019 3:55 PM	LOT BY: NICHOLAS WATKINS	LOT SCALE: 1 IN=10 FT	WISDOT/CADD SHEET 42
LAYOUT NAME: -02					

**SUBBASE**

350.0102  
SUBBASE  
CY

STATION	LOCATION	LOCATION	CY
194+95 - 199+89	MAINLINE	MAINLINE	1,130
201+41 - 206+84	MAINLINE	MAINLINE	1,220
<b>TOTALS</b>			<b>2,350</b>

**CONCRETE PAVEMENT APPROACH SLAB**

415.0410  
CONCRETE PAVEMENT  
APPROACH SLAB  
SY

STATION	LOCATION	LOCATION	SY
199+76 - 199+91	MAINLINE	MAINLINE	40
201+41 - 206+84	MAINLINE	MAINLINE	40
<b>TOTALS</b>			<b>80</b>

**CONCRETE SURFACE DRAINS**

416.1010  
CONCRETE  
SURFACE DRAINS  
CY

STATION	LOCATION	LOCATION	CY
199+69 - 199+91	LT	LT	5
199+69 - 199+91	RT	RT	5
<b>TOTALS</b>			<b>10</b>

**ASPHALTIC ITEMS**

460.6224 460.6244 465.0105\*  
HMA PAVEMENT HMA PAVEMENT ASPHALTIC  
4 MT 58-28 S 4 MT 58-34 S SURFACE  
TON TON TON  
455.0605  
TACK COAT  
GAL

STATION - STATION	LOCATION	LOCATION	TON	TON	GAL	TON
194+95 - 199+98	MAINLINE	MAINLINE	416	182	95	---
201+41 - 206+84	MAINLINE	MAINLINE	456	200	105	---
1+66 - 7+26	BYPASS	BYPASS	---	---	---	275
8+24 - 14+29	BYPASS	BYPASS	---	---	---	290
6+96	DWY RT	DWY RT	---	---	---	30
30+15 - 33+57	ACCESS RD	ACCESS RD	---	---	---	70
<b>TOTALS</b>			<b>872</b>	<b>382</b>	<b>200</b>	<b>665</b>

\* ASPHALTIC SURFACE FOR THE TEMPORARY BYPASS SHALL BE CONSTRUCTED WITH A HMA 3MT 58-28S MIX

**CULVERT PIPE ITEMS**

520.1024 520.2024 520.3324  
APRON ENDWALLS TEMPORARY CULVERT PIPE  
FOR CP 24-INCH 24-INCH CLASS III-A 24-INCH  
EACH LF LF LF

STATION	LOCATION	LOCATION	LF	LF	LF
195+00	RT	RT	---	---	62
2+02	RT	RT	55	---	---
<b>TOTALS</b>			<b>55</b>	<b>55</b>	<b>62</b>

**TEMPORARY STRUCTURE (7+69)**

526.0100  
LS

STATION	LOCATION	LOCATION	LS
<b>TOTALS</b>			<b>1</b>

Addendum No. 01  
ID 8760-00-70  
Revised Sheet 18  
December 5, 2019

PROJECT NO: 8760-00-70

HWY: STH 105

COUNTY: DOUGLAS

MISCELLANEOUS QUANTITIES

SHEET NO: 18

E

PLOT DATE: 12/29/2019

PLOT BY: CORRE INC.

PLOT NAME:

PLOT SCALE: 1:1



## Proposal Schedule of Items

Proposal ID: 20191210041 Project(s): 8760-00-70

Federal ID(s): WISC 2019763

SECTION: 0001

Contract Items

Alt Set ID:

Alt Mbr ID:

Proposal Line Number	Item ID Description	Approximate Quantity and Units	Unit Price	Bid Amount
0034	416.1010 Concrete Surface Drains	10.000 CY	_____.	_____.
0036	455.0605 Tack Coat	200.000 GAL	_____.	_____.
0038	460.2000 Incentive Density HMA Pavement	800.000 DOL	1.00000	800.00
0042	460.6224 HMA Pavement 4 MT 58-28 S	872.000 TON	_____.	_____.
0044	460.6244 HMA Pavement 4 MT 58-34 S	382.000 TON	_____.	_____.
0046	465.0105 Asphaltic Surface	665.000 TON	_____.	_____.
0048	502.0100 Concrete Masonry Bridges	453.000 CY	_____.	_____.
0050	502.3200 Protective Surface Treatment	753.000 SY	_____.	_____.
0052	502.3210 Pigmented Surface Sealer	146.000 SY	_____.	_____.
0054	503.0146 Prestressed Girder Type I 45W-Inch	749.000 LF	_____.	_____.
0056	505.0400 Bar Steel Reinforcement HS Structures	6,460.000 LB	_____.	_____.
0058	505.0600 Bar Steel Reinforcement HS Coated Structures	63,550.000 LB	_____.	_____.
0060	505.0800.S Bar Steel Reinforcement HS Stainless Structures	1,540.000 LB	_____.	_____.
0062	506.2605 Bearing Pads Elastomeric Non-Laminated	14.000 EACH	_____.	_____.
0064	506.4000 Steel Diaphragms (structure) 01. B-16-143	12.000 EACH	_____.	_____.
0066	516.0500 Rubberized Membrane Waterproofing	24.000 SY	_____.	_____.



## Proposal Schedule of Items

Proposal ID: 20191210041 Project(s): 8760-00-70

Federal ID(s): WISC 2019763

SECTION: 0001

Contract Items

Alt Set ID:

Alt Mbr ID:

Proposal Line Number	Item ID Description	Approximate Quantity and Units	Unit Price	Bid Amount
0068	520.1024 Apron Endwalls for Culvert Pipe 24-Inch	2.000 EACH	_____.	_____.
0070	520.2024 Culvert Pipe Temporary 24-Inch	55.000 LF	_____.	_____.
0072	520.3324 Culvert Pipe Class III-A 24-Inch	62.000 LF	_____.	_____.
0074	521.1012 Apron Endwalls for Culvert Pipe Steel 12-Inch	2.000 EACH	_____.	_____.
0076	526.0100 Temporary Structure (station) 01. 7+69	LS	LUMP SUM	_____.
0078	550.1120 Piling Steel HP 12-Inch X 53 Lb	1,045.000 LF	_____.	_____.
0080	603.8000 Concrete Barrier Temporary Precast Delivered	270.000 LF	_____.	_____.
0082	603.8125 Concrete Barrier Temporary Precast Installed	270.000 LF	_____.	_____.
0084	606.0200 Riprap Medium	4.000 CY	_____.	_____.
0086	606.0300 Riprap Heavy	295.000 CY	_____.	_____.
0088	611.0654 Inlet Covers Type V	2.000 EACH	_____.	_____.
0090	611.3220 Inlets 2x2-FT	2.000 EACH	_____.	_____.
0092	612.0212 Pipe Underdrain Unperforated 12-Inch	48.000 LF	_____.	_____.
0094	612.0406 Pipe Underdrain Wrapped 6-Inch	230.000 LF	_____.	_____.
0096	614.0150 Anchor Assemblies for Steel Plate Beam Guard	4.000 EACH	_____.	_____.

