



Wisconsin Department of Transportation

January 22, 2024

Division of Transportation Systems Development

Bureau of Project Development
4822 Madison Yards Way, 4th Floor South
Madison, WI 53705

Telephone: (608) 266-1631
Facsimile (FAX): (608) 266-8459

NOTICE TO ALL CONTRACTORS:

Proposal #10: 2040-03-75, WISC 2024221
Ryan Road
Shepard Ave to STH 32
STH 100
Milwaukee County

2040-20-70, WISC 2024222
Ryan Road, City of Oak Creek
Bridge over RR B-40-0530
STH 100
Milwaukee County

Letting of February 13, 2024

This is Addendum No. 01, which provides for the following:

Special Provisions:

Revised Special Provisions	
Article No.	Description
7	Utilities

Schedule of Items:

Revised Bid Item Quantities					
Bid Item	Item Description	Unit	Proposal Total Prior to Addendum	Proposal Quantity Change (-)	Proposal Total After Addendum
637.2210	Signs Type II Reflective H	SF	357.800	-45.000	312.800

Plan Sheets:

Revised Plan Sheets	
Plan Sheet	Plan Sheet Title (brief description of changes to sheet)
3	Updated utility contacts
29	Removed signs #11 & 21
38	Removed signs #48 & 50
69-71	Updated miscellaneous quantities for item 637.2210
74	Removed sign template for HWY 100 E Ryan Rd

The responsibility for notifying potential subcontractors and suppliers of these changes remains with the prime contractor.

Sincerely,

Mike Coleman

Proposal Development Specialist
Proposal Management Section

ADDENDUM NO. 01

2040-03-70

January 22, 2024

Special Provisions

7. Utilities

Replace entire article language with the following:

This contract comes under the provision of Administrative Rule Trans 220.

stp-107-065 (20080501)

Underground and overhead utility facilities are located within the project limits. Coordinate construction activities with a call to Digger Hotline or a direct call the utilities that have facilities in the area as required per statutes. Use caution to ensure the integrity of underground facilities and maintain code clearances from overhead facilities at all times.

Bidders are advised to contact each utility company listed in the plans prior to preparing their bids, to obtain current information on the status of any utility within the project work limits.

Some of the utility work described below is dependent on prior work being performed by the contractor at a specific site. In such situations, provide the engineer and the affected utility a good faith notice of when the utility is to start work at the site. Provide this notice 14 to 16 calendar days in advance of when the prior work will be completed and the site will be available to the utility owner. Follow-up with a confirmation notice to the engineer and the utility owner not less than three working days before the site will be ready for the utility owner to begin its work.

The following utilities are adjusted as part of this contract:

Project 2040-03-75

The following utilities have facilities within the construction limits:

The City of Oak Creek Water and Sewer Utility has water valves and facilities within the project limits.

Contact Brian Johnston at (414) 766-6624 or bjohnston@oakcreekwi.gov prior to paving to coordinate water valve adjustments within the paving limits. Allow for one day of work per valve or manhole.

Additional contact person for the City of Oak Creek Water and Sewer Utility is Sally Galewski at (414) 766-6620 or sgalewski@water.oak-creek.wi.us.

The following utilities have facilities within the construction limits, however, no adjustments or conflicts are anticipated:

AT&T Legacy - COMLN has facilities within the project limits along the Union Pacific Railroad.

AT&T Local Network - COMLN has facilities within the project limits.

AT&T Wisconsin - COMLN has facilities within the project limits.

ATC Management Inc - ELCTY has overhead facilities within the project limits.

CenturyLink Communications, LLC - COMLN has facilities within the project limits.

Level 3 Communications LLC - COMLN has facilities within the project limits.

Milwaukee County Parks Dept - ELCTY

The Milwaukee Metropolitan Sewerage District – Water/Sewer has facilities within the project limits.

Spectrum COMLN has facilities within the project limits.

WE Energies – ELCTY has facilities within the project limits.

We Energies electric has facilities within the construction limits. It is imperative that the highway contractor contact We Energies if removing any electrical underground cables, to verify that they have been discontinued and carry no electrical current. The contractor must not assume that unmarked facilities have been discontinued. At no time is it acceptable to push, pull, cut or drill an unmarked facility without explicit consent from We Energies. Contractor must call the We Energies 24-hour Dispatch lines to arrange for this verification. We Energies Electric Dispatch #1-800-662-4797

WE Energies – Gas/Petroleum has facilities within the project limits.

We Energies gas has facilities within the construction limits. It is imperative that the highway contractor contact We Energies if removing any gas facilities, to verify that they have been discontinued and carry no natural gas. The contractor must not assume that unmarked facilities have been discontinued. At no time is it acceptable to push, pull, cut or drill an unmarked facility without explicit consent from We Energies. Contractor must call the We Energies 24-hour Dispatch lines to arrange for this verification. We Energies Gas Dispatch #1-800-261-5325

Project 2040-20-70

The following utilities have facilities within the construction limits:

The City of Oak Creek – Street Lighting has lighting poles and facilities within the project limits.

Contact Mark Sullivan at (414) 766-7002 or msullivan@oakcreekwi.org at time of the preconstruction meeting to coordinate the removal of street lighting poles at sta 170+30 and 172+06. Also, the lighting cable from sta 168+72 to sta 173+15 will be disconnected for the duration of the project. Work will be completed prior to construction.

The following utilities have facilities within the construction limits, however, no adjustments or conflicts are anticipated:

AT&T Legacy - COMLN has facilities within the project limits along the Union Pacific Railroad.

AT&T Local Network - COMLN has facilities within the project limits.

ATC Management Inc - COMLN has overhead facilities within the project limits.

CenturyLink Communications, LLC - COMLN has facilities within the project limits.

Level 3 Communications LLC - COMLN has facilities within the project limits.

Sprint Communications - COMLN has facilities within the project limits.

WE Energies – Electricity has facilities within the project limits.

We Energies electric has facilities within the construction limits. It is imperative that the highway contractor contact We Energies if removing any electrical underground cables, to verify that they have been discontinued and carry no electrical current. The contractor must not assume that unmarked facilities have been discontinued. At no time is it acceptable to push, pull, cut or drill an unmarked facility without explicit consent from We Energies. Contractor must call the We Energies 24-hour Dispatch lines to arrange for this verification. We Energies Electric Dispatch #1-800-662-4797

WE Energies – Gas/Petroleum has facilities within the project limits.

We Energies gas has facilities within the construction limits. It is imperative that the highway contractor contact We Energies if removing any gas facilities, to verify that they have been discontinued and carry no natural gas. The contractor must not assume that unmarked facilities have been discontinued. At no time is it acceptable to push, pull, cut or drill an unmarked facility without explicit consent from We Energies.

Contractor must call the We Energies 24-hour Dispatch lines to arrange for this verification. We Energies Gas Dispatch #1-800-261-5325.

Schedule of Items

Attached, dated January 22, 2024, are the revised Schedule of Items Page 7.

Plan Sheets

The following 8½ x 11-inch sheets are attached and made part of the plans for this proposal:
Revised: 3, 29, 38, 69-71, and 74.

END OF ADDENDUM

UTILITY CONTACTS

AT&T LEGACY - COMMUNICATION LINE

Kenneth Colwell
222 W Jackson
Woodstock, IL 60098
(312) 734-2223
kc1298@att.com

AT&T LOCAL NETWORK - COMMUNICATION LINE

Dale DeFeaver
39869 Jim St
Canton, MI 48147
(586) 242-2671
d42579@att.com

AT&T WISCONSIN - COMMUNICATION LINE

Matthew Dimmauer
2005 Pewaukee Rd
Waukegan, WI 53188-2443
(262) 896-7690
md9542@att.com

ATC MANAGEMENT, INC. - ELECTRICITY TRANSMISSION

Travis 220 Mailbox
801 O'Keefe Rd
De Pere, WI 54115-6113
(920) 338-6582
d1ATCDDOTNotifications@atcic.com

CENTURYLINK COMMUNICATIONS, LLC - COMMUNICATION LINE

General Mailbox Centurylink National OSP Reloc
CenturylinkNationalOSPRelocations@centurylink.com

MILWAUKEE METROPOLITAN SEWERAGE DISTRICT - SEWER

Micki Klappa-Sullivan
260 W Seeboth St
Milwaukee, WI 53204
(414) 225-2178
MKlappaSullivan@rmsd.com

CITY OF OAK CREEK WATER AND SEWER UTILITY

Brian Johnston
(414) 766-6624
bjohnston@oakcreek.wi.gov

MILWAUKEE COUNTY PARKS DEPT - ELECTRIC

BLAKE PRUSAK
1150 N 68TH ST
MILWAUKEE, WI 53213
(414) 640-2204
BLAKE.PRUSAK@MILWAUKEECOUNTY.WI.GOV

LEVEL 3 COMMUNICATIONS LLC - COMMUNICATION LINE

Network Relocations
1025 Eldorado Blvd
Broomfield, CO 80021
NationalReloc@centurylink.com

WE ENERGIES - ELECTRIC

WE Energies Utility Coordinator
500 S 116th Street
West Allis, WI 53214
(414) 221-2738
We-Utility-Relocations@we-energies.com

SPECTRUM - COMMUNICATION LINE

DAVE YOPPS
1320 N MARTIN LUTHER KING DR
MILWAUKEE, WI 53212
(414) 277-4281
DAVE.YOPPS@CHARTER.NET

WE ENERGIES - GAS/PETROLEUM

WE Energies Utility Coordinator
500 S 116th Street
West Allis, WI 53214
(414) 221-2738
We-Utility-Relocations@we-energies.com

Addendum No. 01
ID 2040-03-75
Revised Sheet 3
January 22, 2024



PROJECT NO: 2040-03-75
FILE NAME: N:\PDS\3D\20400303\5SHEETSPAN\02001.GINDWG
LAYOUT NAME: UTILITY CONTACTS

HWY: 5TH 100

COUNTY: MILWAUKEE

GENERAL NOTES

SHEET 3

E

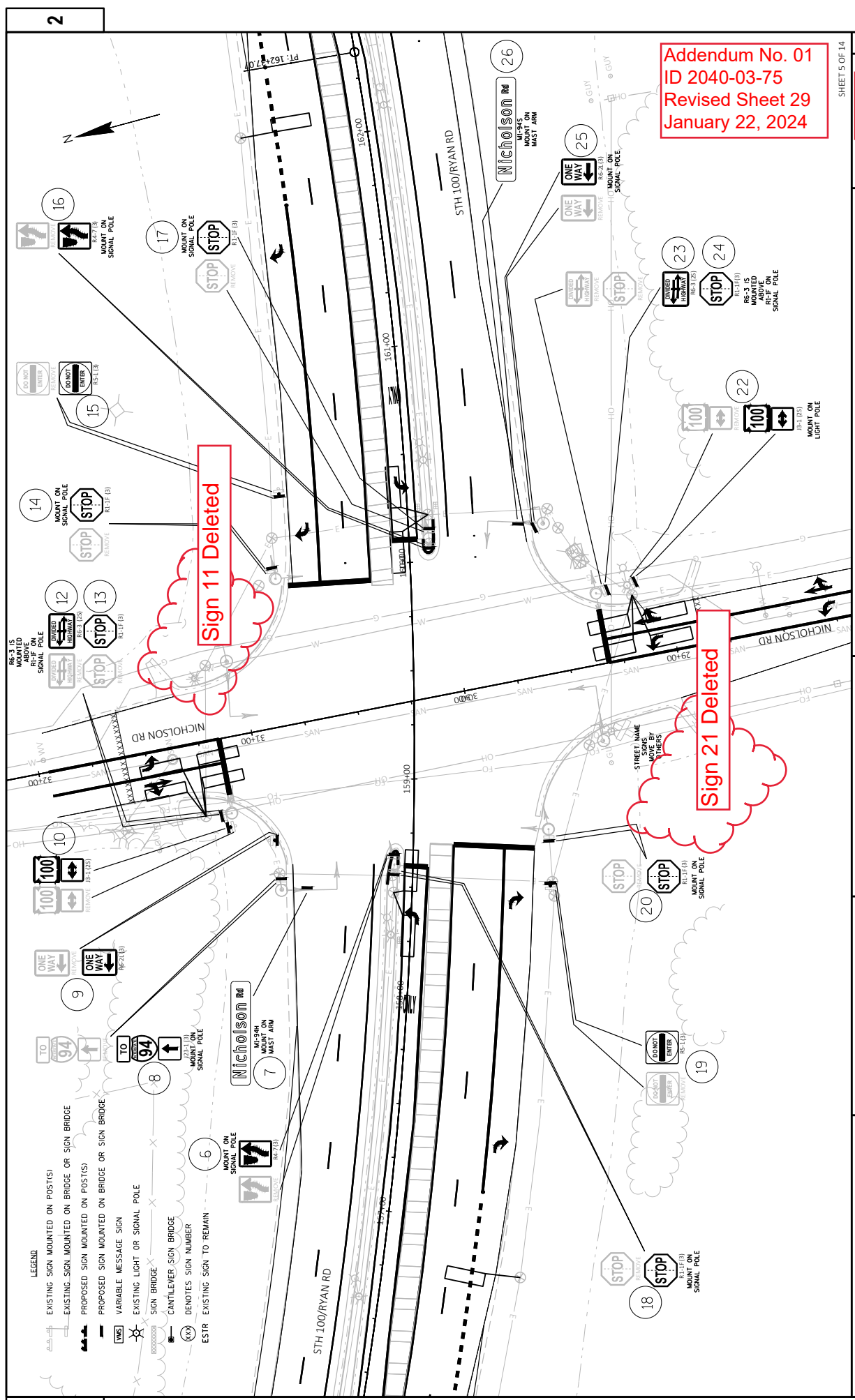
PLOT DATE: 1/8/2024 11:52 AM

PLOT BY: STARK, GARY W

PLOT NAME:

PLOT SCALE: 1 IN=100 FT

WIS007/CADDS SHEET 42

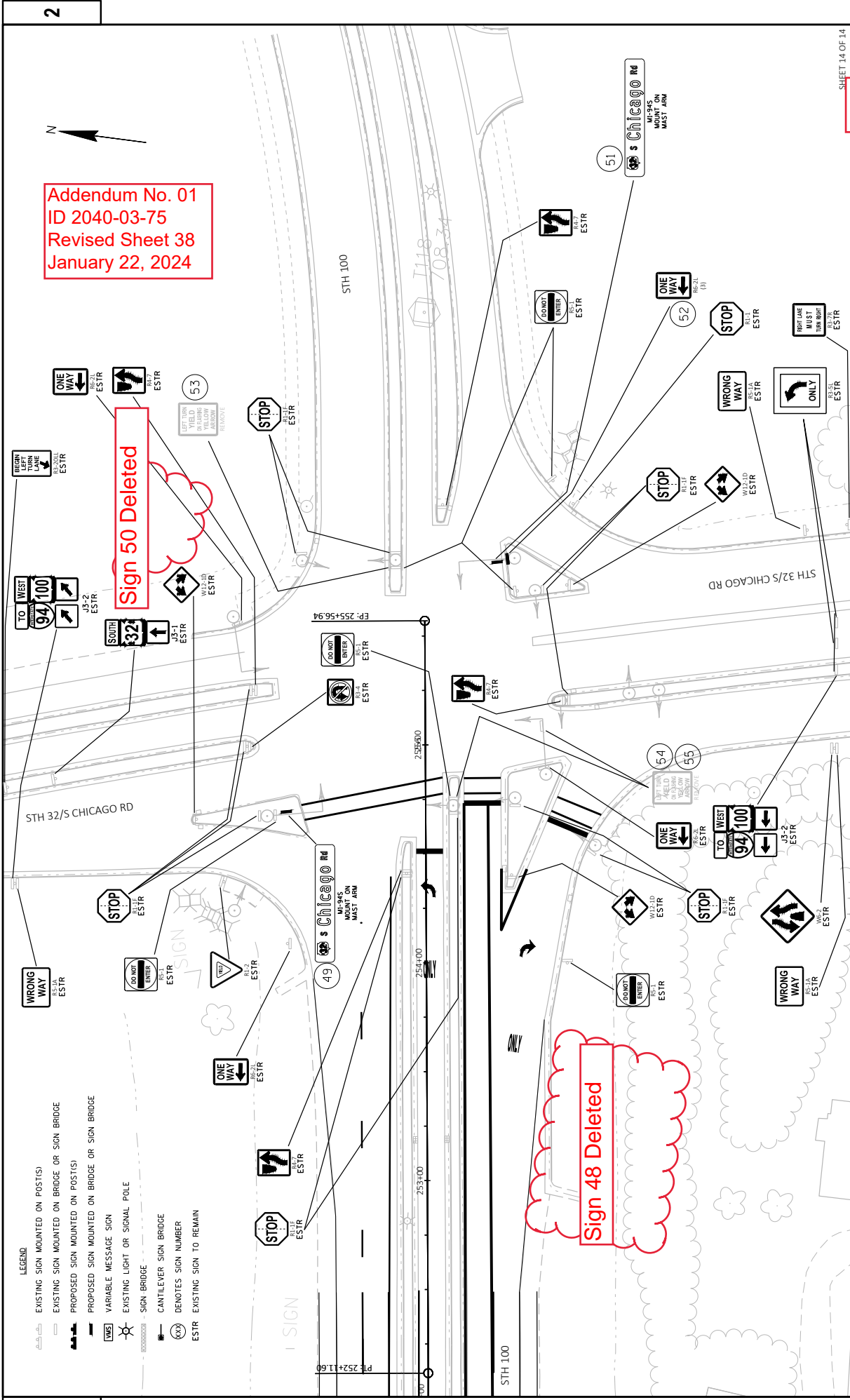


Addendum No. 01
 ID 2040-03-75
 Revised Sheet 29
 January 22, 2024

Sign 11 Deleted

Sign 21 Deleted

Addendum No. 01
ID 2040-03-75
Revised Sheet 38
January 22, 2024



- LEGEND**
- EXISTING SIGN MOUNTED ON POST(S)
 - EXISTING SIGN MOUNTED ON BRIDGE OR SIGN BRIDGE
 - PROPOSED SIGN MOUNTED ON POST(S)
 - PROPOSED SIGN MOUNTED ON BRIDGE OR SIGN BRIDGE
 - VARIABLE MESSAGE SIGN
 - EXISTING LIGHT OR SIGNAL POLE
 - SIGN BRIDGE
 - CANTILEVER SIGN BRIDGE
 - (XX) DENOTES SIGN NUMBER
 - ESTR EXISTING SIGN TO REMAIN

Addendum No. 01
ID 2040-03-75
Revised Sheet 69
January 22, 2024

2040-03-75 STH 100

TYPE II PERMANENT SIGNING

SIGN NO.	SIGN CODE & SIZE	SIGN MESSAGE	TYPE II SIGN SIZE [IN.]		SIGN TYPE II REFLC H [SF]	SIGN TYPE II REFLC F [SF]	SIGN TYPE II FOLDING [SF]	REMOVING SIGNS TYPE II [EA]	REMOVING SMALL SIGN SUPPORTS [EA]	POSTS WOOD 4"X6"X18' [EA]	MOVE SIGNS TYPE II [EA]	MOUNT ON SAME POST AS SIGN #	REMARKS / NEW SIGN LOCATION
			W [IN.]	X [IN.]									
1	R5-1 (3)	NOT USED	36	X 36	9.000	--	--	--	--	1	--	--	--
2		NOT USED											
3		NOT USED											
4	R3-7R (3)		36	X 36	9.000	--	--	1	--	--	--	--	SHEET 13 OF 14; MOUNT ON OPPOSITE SIDE OF EXISTING R5-1
5													
6	R4-7 (3)		36	X 48	12.000	--	--	--	--	--	--	--	SHEET 5 OF 14; MOUNT ON SIGNAL POLE
7	M1-94H	NICHOLSON RD	96	X 18	12.000	--	--	--	--	--	--	--	MOUNT ON MAST ARM
8	J23-1 (3)		36	X 84	21.000	--	--	1	--	--	--	--	MOUNT ON SIGNAL POLE
	MB4-5 TO		36	x 18									
	M1-1	IH 94	36	x 36									
	MB6-1	[SA]	30	x 30									
9	R6-2L (3)		36	X 48	12.000	--	--	1	1	1	--	--	--
10	J3-1 (2S)		24	X 45	7.500	--	--	1	1	1	--	--	--
	M1-6	WIS 100	24	x 24									
	M6-4		21	x 21									
11	NOT USED												
12	R6-3 (2S)		30	X 24	3.000	--	--	1	--	--	--	--	MOUNT ABOVE R1-1F ON SIGNAL POLE
13	R1-1F (3)		36	X 36	--	--	7.460	1	--	--	--	12	MOUNT ON SIGNAL POLE
14	R1-1F (3)		36	X 36	--	--	7.460	1	--	--	--	--	MOUNT ON SIGNAL POLE
15	R5-1 (3)		36	X 36	9.000	--	--	1	1	1	--	--	--
16	R4-7 (3)		36	X 48	12.000	--	--	1	--	--	--	--	MOUNT ON SIGNAL POLE
17	R1-1F (3)		36	X 36	--	--	7.460	1	--	--	--	16	MOUNT ON SIGNAL POLE
18	R1-1F (3)		36	X 36	--	--	7.460	1	--	--	--	6	MOUNT ON SIGNAL POLE
19	R5-1 (3)		36	X 36	9.000	--	--	1	1	1	--	--	--
20	R1-1F (3)		36	X 36	--	--	7.460	1	--	--	--	--	MOUNT ON SIGNAL POLE
21	NOT USED												
22	J3-1 (2S)		24	X 45	7.500	--	--	1	--	--	--	--	MOUNT ON LIGHT POLE
	M1-6	WIS 100	24	x 24									
	M6-4		21	x 21									
23	R6-3 (2S)		30	X 24	5.000	--	--	1	--	--	--	--	MOUNT ABOVE R1-1F ON SIGNAL POLE

Addendum No. 01
ID 2040-03-75
Revised Sheet 70
January 22, 2024

TYPE II PERMANENT SIGNING												2040-03-75 STH 100	
SIGN NO.	SIGN CODE & SIZE	SIGN MESSAGE	TYPE II SIGN SIZE		SIGN TYPE II REFLC H	SIGN TYPE II REFLC F	SIGN TYPE II REFLC FOLDING	REMOVING SIGNS TYPE II [EA]	REMOVING SMALL SIGN SUPPORTS [EA]	POSTS WOOD 4"X6"X18' [EA]	MOVE SIGNS TYPE II [EA]	MOUNT ON SAME POST AS SIGN #	REMARKS / NEW SIGN LOCATION
			W [IN.]	X [IN.]									
24	R1-1F (3)		36	X 36	--	--	7,460	1	--	--	--	23	MOUNT ON SIGNAL POLE
25	R6-2L (3)		36	X 48	12,000	--	--	1	--	--	--	--	MOUNT ON SIGNAL POLE
26	M1-94H	NICHOLSON RD	96	X 18	12,000	--	--	--	--	--	--	--	MOUNT ON MAST ARM
27	W3-4 (3)		36	X 36	--	9,000	--	--	1	--	--	--	SHEET 6 OF 14
28	W3-4 (3)		36	X 36	--	9,000	--	--	--	--	--	--	--
29	W5-52R (3)		18	X 54	--	6,750	--	1	1	--	--	--	--
30	W5-52L (3)		18	X 54	--	6,750	--	1	1	--	--	--	--
31	W5-52R (3)		18	X 54	--	6,750	--	1	1	--	--	--	--
32	W5-52L (3)		18	X 54	--	6,750	--	1	1	--	--	--	--
33	W3-3				--	--	--	--	1	1	1	--	MOVED TO STATION 173+00
34	W3-3				--	--	--	--	1	1	1	--	MOVED TO STATION 173+00
35	R6-1R (3)		54	X 18	6,750	--	--	--	--	--	--	58	SHEET 8 OF 14; MOUNT ABOVE R1-1
36	W4-4C (3)	TRAFFIC ON 100 DOES NOT STOP	36	X 15	--	3,750	--	--	--	--	--	58	MOUNT BELOW R1-1
37	R6-1L (3)		54	X 18	6,750	--	--	--	--	--	--	58	MOUNT ABOVE R1-1
38	R6-1R (3)		54	X 18	6,750	--	--	--	--	--	--	--	MOUNT ABOVE R1-1 ON LIGHT POLE
39	W4-4C (3)	TRAFFIC ON 100 DOES NOT STOP	36	X 15	--	3,750	--	--	--	--	--	38	MOUNT BELOW R1-1 ON LIGHT POLE
40	R6-1L (3)		54	X 18	6,750	--	--	--	--	--	--	38	MOUNT ABOVE R1-1 ON LIGHT POLE
41	R6-1L (3)		54	X 18	6,750	--	--	--	--	--	--	61	SHEET 10 OF 14; MOUNT ABOVE R1-1 OTHER SIDE OF SIGN NO. 42
42	R6-1R (3)		54	X 18	6,750	--	--	--	--	--	--	61	MOUNT ABOVE R1-1
43	R1-1 (3)		36	X 36	7,460	--	--	--	--	1	--	--	--
44	R1-1 (3)		36	X 36	7,460	--	--	--	--	1	--	--	--
45	R6-1L (3)		54	X 18	6,750	--	--	--	--	--	--	64	MOUNT ABOVE R1-1 ON OTHER SIDE OF SIGN NO. 46
46	R6-1R (3)		54	X 18	6,750	--	--	--	--	--	--	64	MOUNT ABOVE R1-1
47	R3-20L (3)		86	X 54	13,500	--	--	--	--	--	--	--	SHEET 13 OF 14; MOUNT ON LIGHT POLE
48	NOT USED												
49	W5-52S CHICAGO RD		108	X 48	12,500	--	--	--	--	--	--	--	MOUNT ON MAST ARM
50	NOT USED												
51	M1-94S	WIS 32 S CHICAGO RD	108	X 48	12,500	--	--	--	--	--	--	--	MOUNT ON MAST ARM

SHEET 2 OF 3

Addendum No. 01
 ID 2040-03-75
 Revised Sheet 71
 January 22, 2024

3

2040-03-75 STH 100

TYPE II PERMANENT SIGNING

SIGN NO.	SIGN CODE & SIZE	SIGN MESSAGE	TYPE II SIGN SIZE [IN.] x [IN.]			637.2210 SIGN TYPE II REFLC H [SF]	637.2230 SIGN TYPE II REFLC F [SF]	637.2215 SIGN TYPE II REFLC H FOLDING [SF]	638.2602 REMOVING SIGN TYPE II [EA]	638.3000 REMOVING SMALL SIGN SUPPORTS [EA]	634.0618 POSTS WOOD 4"X6"X18' [EA]	638.2102 MOVE SIGN TYPE II [EA]	MOUNT ON SAME POST AS SIGN #	REMARKS / NEW SIGN LOCATION					
			W	X	H														
52	R6-2L (3)		36	X	48	12,000	--	--	--	--	--	--	MOUNT ON SIGNAL POLE						
53	R10-50												--						
54	R10-50												--						
55	R10-50												--						
56	R6-2L												--						
57	R6-2L												--						
58	R1-1 (3)		36	X	36	7,460	--	--	1	1	1	58	SHEET 7 OF 14						
59	R6-3 (2S)		30	X	24	5,000	--	--	1	1	1	61	SHEET 8 OF 14; MOUNT BELOW R6-1R						
60	R6-2L												--						
61	R1-1 (3)		36	X	36	7,460	--	--	1	1	1	64	MOUNT BELOW R6-1R						
62	R6-3 (2S)		30	X	24	5,000	--	--	1	1	1	64	MOUNT BELOW R1-1						
63	R6-2L												--						
64	R1-1 (3)		36	X	36	7,460	--	--	1	1	1	64	MOUNT BELOW R6-1R						
65	R6-3 (2S)		30	X	24	5,000	--	--	1	1	1	64	MOUNT BELOW R1-1						
UNDISTRIBUTED																			
TOTALS													312,800	44,760	31	17	28	2	



SHEET 3 OF 3

E

SHEET: 71

MISCELLANEOUS QUANTITIES - PERMANENT SIGNING

COUNTY: MILWAUKEE

HWY: STH 100

PROJECT NO: 2040-03-75

PLOT NAME: 090502_MQ.PDF

PLOT BY: DOT/DHA

PLOT DATE: 11 January 2024

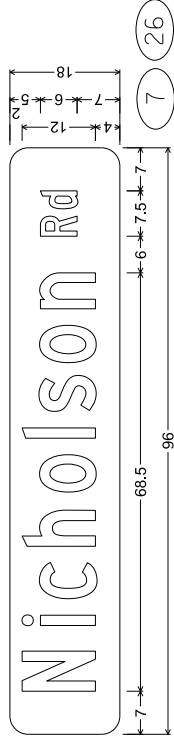
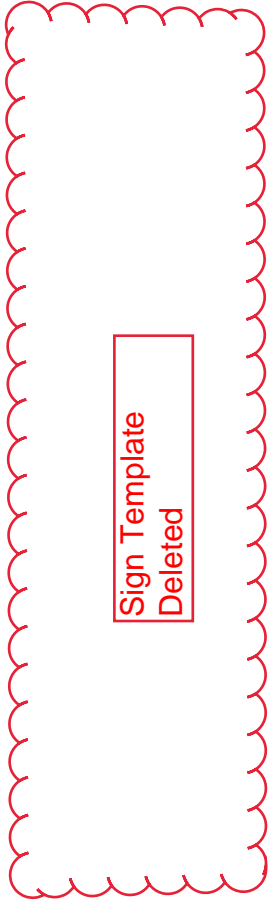
PLOT SCALE: 1:1

FILE NAME: N:\SP\BEK\CPSTraffic\Signing\Miscellaneous Quantities\2040-03-75\090502_mq.pptx

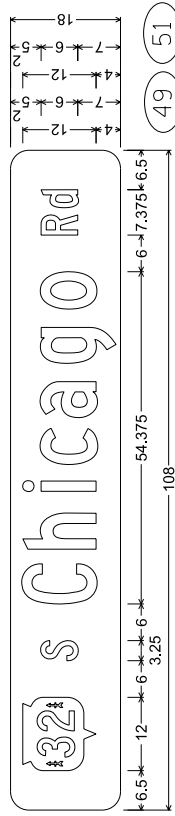
3

NOTES

1. All Signs Type II - Type H Reflective
2. Color:
Background - Green
Message - White
3. Message Series - C



M1-94H: 3.000" Radius, No border



M1-94S: 3.000" Radius, No border

Addendum No. 01
ID 2040-03-75
Revised Sheet 74
January 22, 2024



Proposal Schedule of Items

Proposal ID: 20240213010 Project(s): 2040-03-75, 2040-20-70

Federal ID(s): WISC 2024222, WISC 2024221

SECTION: 0001 ROADWAY

Alt Set ID: Alt Mbr ID:

Proposal Line Number	Item ID Description	Approximate Quantity and Units	Unit Price	Bid Amount
0178	630.0130 Seeding Mixture No. 30	5.000 LB	_____.	_____.
0180	630.0200 Seeding Temporary	35.000 LB	_____.	_____.
0182	630.0500 Seed Water	90.000 MGAL	_____.	_____.
0184	633.5200 Markers Culvert End	10.000 EACH	_____.	_____.
0186	634.0618 Posts Wood 4x6-Inch X 18-FT	28.000 EACH	_____.	_____.
0188	637.2210 Signs Type II Reflective H	312.800 SF	_____.	_____.
0190	637.2215 Signs Type II Reflective H Folding	44.760 SF	_____.	_____.
0192	637.2230 Signs Type II Reflective F	52.500 SF	_____.	_____.
0194	638.2102 Moving Signs Type II	2.000 EACH	_____.	_____.
0196	638.2602 Removing Signs Type II	31.000 EACH	_____.	_____.
0198	638.3000 Removing Small Sign Supports	17.000 EACH	_____.	_____.
0200	642.5401 Field Office Type D	1.000 EACH	_____.	_____.
0202	643.0300 Traffic Control Drums	3,980.000 DAY	_____.	_____.
0204	643.0420 Traffic Control Barricades Type III	5,150.000 DAY	_____.	_____.
0206	643.0705 Traffic Control Warning Lights Type A	10,290.000 DAY	_____.	_____.
0208	643.0900 Traffic Control Signs	39,410.000 DAY	_____.	_____.

