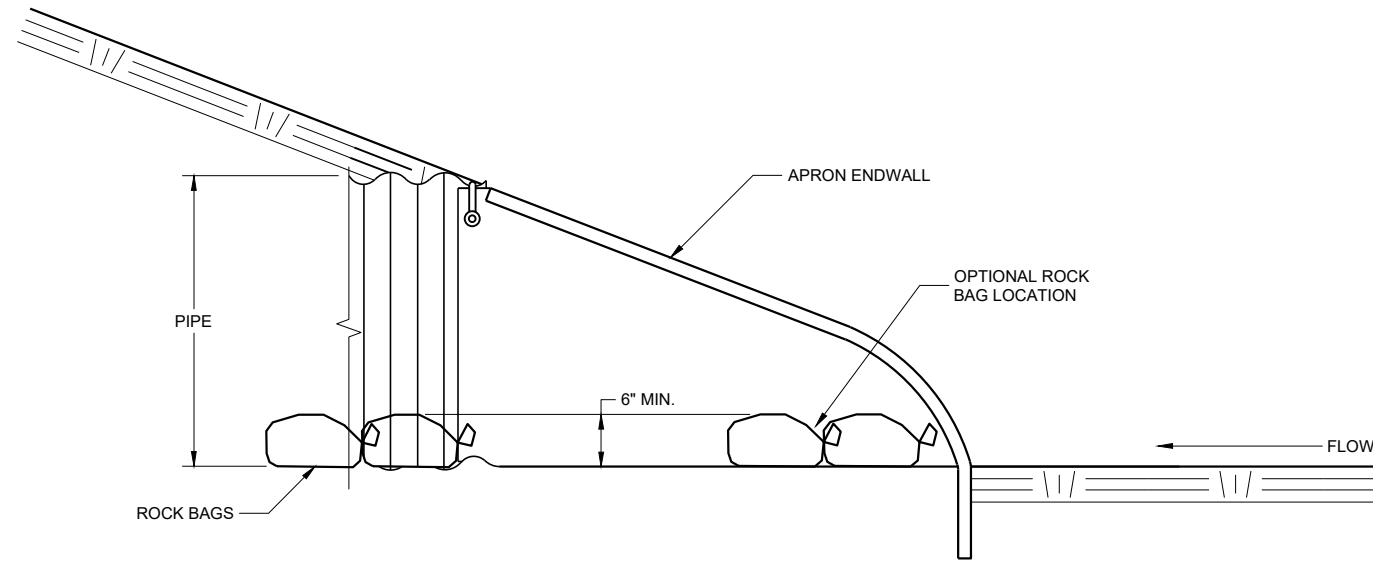


END VIEW



SIDE VIEW

CULVERT PIPE CHECK
 (INSTALL ON INLET END ONLY)

CULVERT PIPE CHECK

STATE OF WISCONSIN
DEPARTMENT OF TRANSPORTATION

APPROVED
 May 2019 /S/ Daniel Schave
 DATE EROSION CONTROL ENGINEER

FHWA

Culvert Pipe Check

References:

[FDM 10-10-29](#)

Bid items associated with this drawing:

Bid items for tracking pad are encoded as follows:

<u>ITEM NUMBER</u>	<u>DESCRIPTION</u>	<u>UNIT</u>
628.7555	Culvert Pipe Checks.....	EACH

Standardized Special Provisions associated with this drawing:

<u>STSP NUMBER</u>	<u>TITLE</u>
NONE	

Other SDDs associated with this drawing:

NONE

Design Notes:

Culvert pipe checks are not recommended in large pipes which convey large quantities of water. Item paid by each rock bag placed as part of the culvert pipe check

Contact Person:

Jeremy Ashauer (920) 412-6381