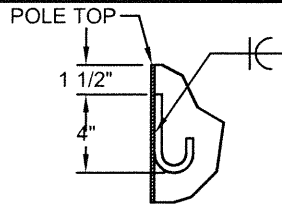
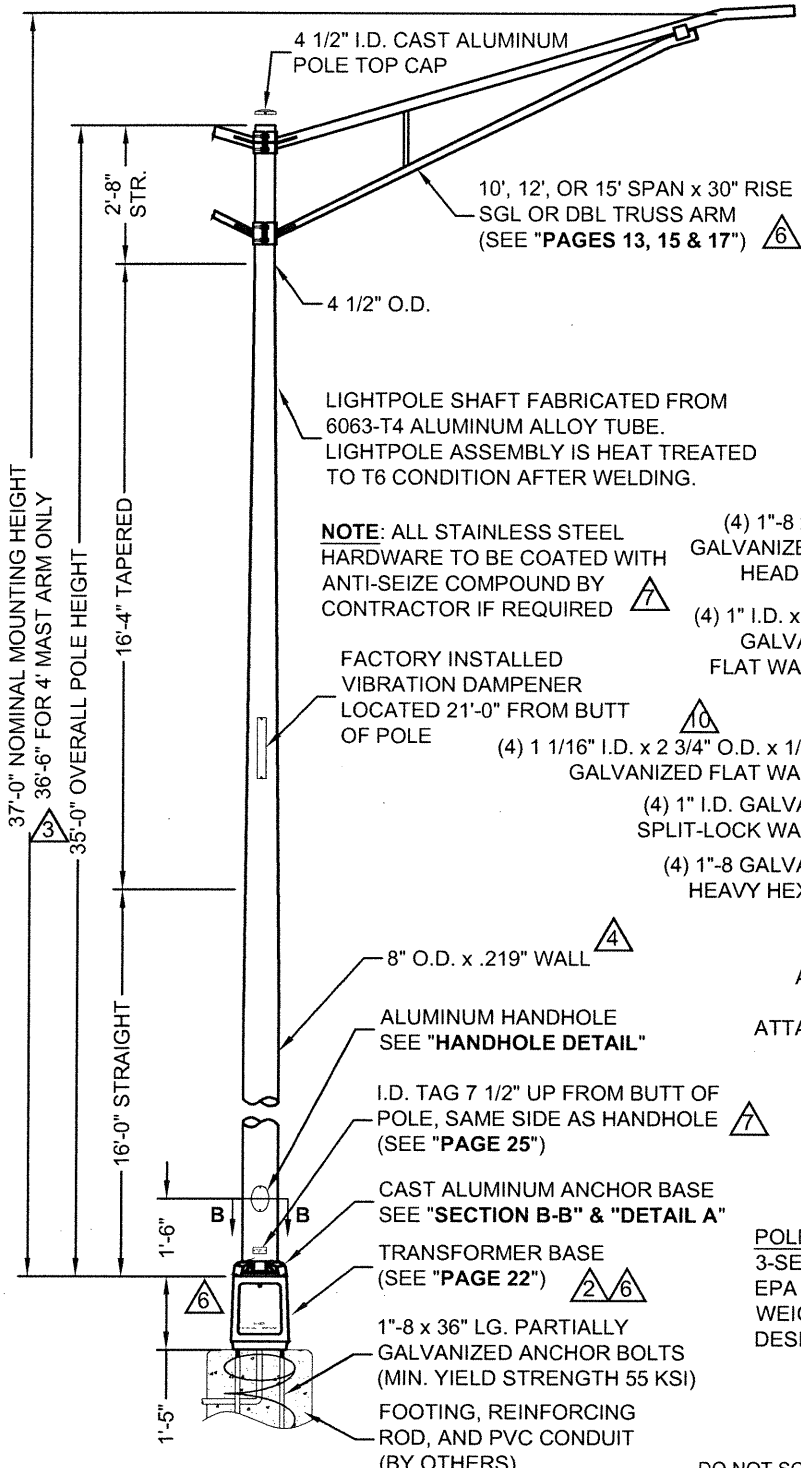


SEE "J-HOOK MOUNTING DETAIL"

4', 6', OR 8' SPAN
SGL MAST ARM (SEE "PAGES 7, 9, & 11")



J-HOOK MOUNTING DETAIL



NOTE: ALL STAINLESS STEEL HARDWARE TO BE COATED WITH ANTI-SEIZE COMPOUND BY CONTRACTOR IF REQUIRED

FACTORY INSTALLED VIBRATION DAMPENER LOCATED 21'-0" FROM BUTT OF POLE

8" O.D. x .219" WALL

ALUMINUM HANDHOLE SEE "HANDHOLE DETAIL"

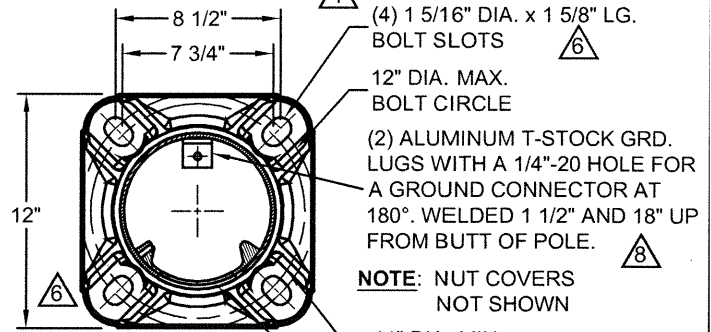
I.D. TAG 7 1/2" UP FROM BUTT OF POLE, SAME SIDE AS HANDHOLE (SEE "PAGE 25")

CAST ALUMINUM ANCHOR BASE SEE "SECTION B-B" & "DETAIL A"

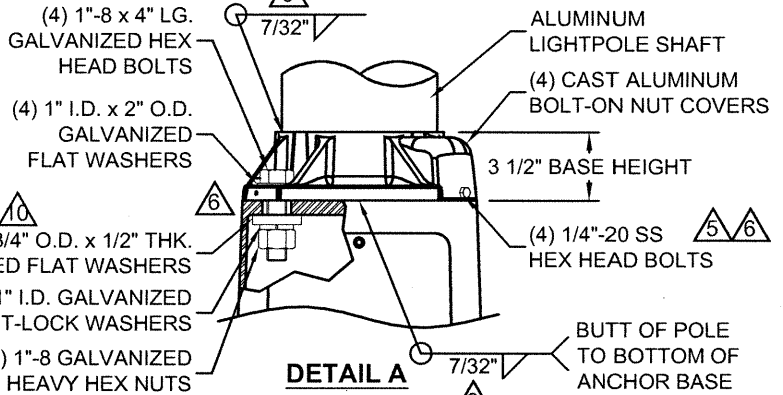
TRANSFORMER BASE (SEE "PAGE 22")

1"-8 x 36" LG. PARTIALLY GALVANIZED ANCHOR BOLTS (MIN. YIELD STRENGTH 55 KSI)

FOOTING, REINFORCING ROD, AND PVC CONDUIT (BY OTHERS)

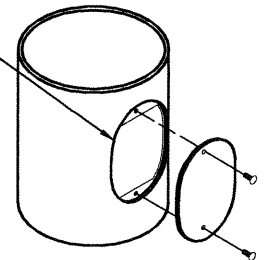


SECTION B-B



DETAIL A

ALUMINUM HANDHOLE WITH A 4" x 6" FLUSH FITTING ALUMINUM DOOR ATTACHED WITH (2) 1/4"-20 x 3/4" LG. S.S. HEX HEAD BOLTS. WITH TAPPED 5/16"-18 HOLE IN EXTRUSION FOR A GROUND CONNECTOR.



HANDHOLE DETAIL

POLE RATING (PER AASHTO 2013): 3-SEC GUST WIND SPEED: 90 MPH MAX
EPA (LUMINAIRE): 1.5 SQ. FT. MAX
WEIGHT (LUMINAIRE): 50 LBS MAX
DESIGN LIFE 50 YEARS

CONTACT VALMONT IF PEDESTRIAN PUSH BUTTON IS REQUIRED FOR POLE APPLICATION

DO NOT SCALE



Valmont Industries, Inc. Structures Division
20805 Eaton Ave Farmington, Minnesota 55024-7932
Phone: (651) 463-8990 (800) 899-7577
Fax: (651) 463-3349

****CONFIDENTIAL****

The information contained in this drawing is privileged and confidential, and may be protected from disclosure. Please be aware that any use or dissemination of this drawing may be subject to legal restriction or sanction.

TITLE: S TYPE 6 TRANSFORMER BASE LIGHTPOLES		QTY: -
MODEL NO.: 350045807T4A		DWN BY: BMS
MATERIAL: ALUMINUM ALLOY		CHK'D BY:
FINISH: 100 GRIT SATIN POLISH		APPR BY: CEW
PROJECT: WISDOT		DATE: 12/12/05
SOLD TO:		DWG NO: DR1154
SHIP TO:		PAGE:
P.O. NO:		BY: 2/25
REP:		
11-15-15	REV'D NOTE; CH'D EPA TO 2013; ADDED NOTE	KPS
08-25-14	REVISED J-HOOK DETAIL	KPS
01-31-14	CHG'D WASHER DIM.	CEN
REV	DATE	REVISION DESCRIPTION