

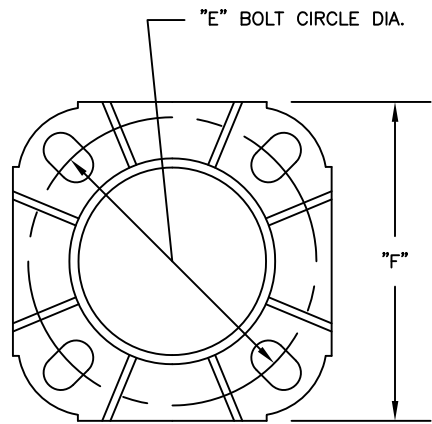
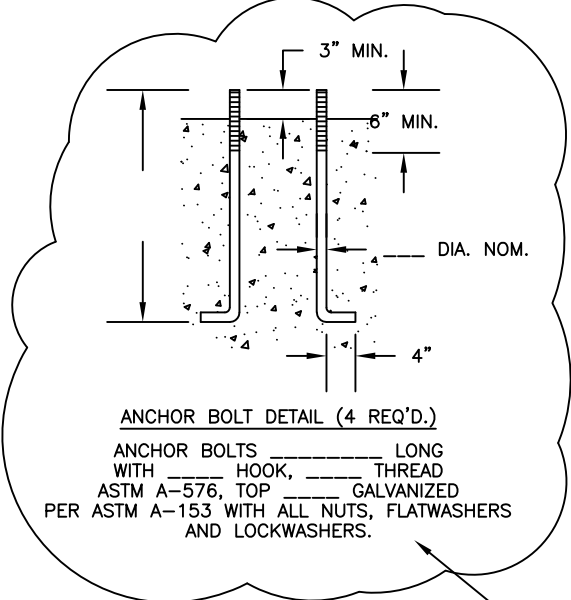
◇ ————— SCHEDULE ————— ◇

CATALOG #	QTY	A	B	C	D	E	F
FPFLS1063510C-DC-WISDOT-TYPE 7		10"	6"	.188"	35'-10"	15"	14"

REFERENCE: WISDOT - TYPE 7 ALUMINUM POLE

"SPUN TAPERED ALUMINUM LIGHTING STANDARD"

SPUN TAPERED ALUMINUM SHAFT ALLOY 6063-T6  
 "A" BOTTOM DIA., "B" TOP DIA., "C" WALL TH'K.  
 "D" OVERALL LENGTH, MECH. ROTARY SANDED 60 GRIT



CAST ALUMINUM SHOEBASE  
 ALLOY 356-T6  
 WITH 4 CAST ALUMINUM BOLT COVERS  
 WITH ST. ST'L. ATTACHMENT SCREWS  
 STAMP .188" PER SPECIFICATIONS

ANCHOR BOLTS NOT INCLUDED (BY OTHERS)

WISDOT "TYPE 7" POLE

REVISIONS		
NO.	DATE	BY
1		
2		
3		
4		
5		

95 GNARLED HOLLOW RD.  
 EAST SETAUKET, N.Y.  
 11733

TUBULAR PRODUCTS, INC.

---

PROJECT: WISCONSIN DOT		DIST:	
CONTRACTOR:		AGENT: JIM HERRD	
DRAWN BY	SAF	DATE	03/27/17
CHK'D		APP'D	
SCALE	NONE	WORK ORDER #	

MATERIAL AS NOTED  
 DRAWING NO.  
 14197

CAST ALUMINUM SHOEBASE WITH CIRCUMFERENTIAL WELDS BOTH INSIDE AND OUT