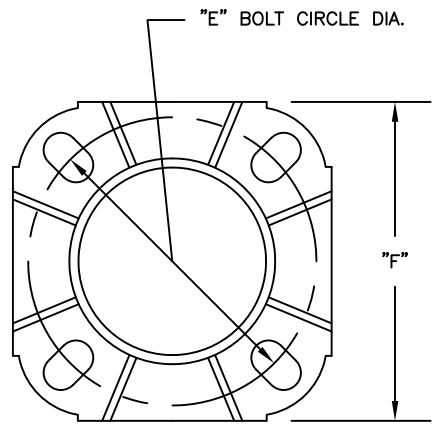
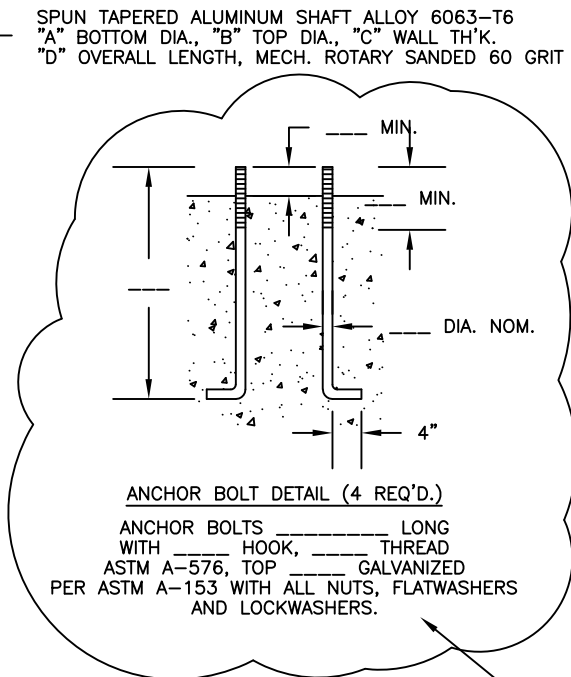
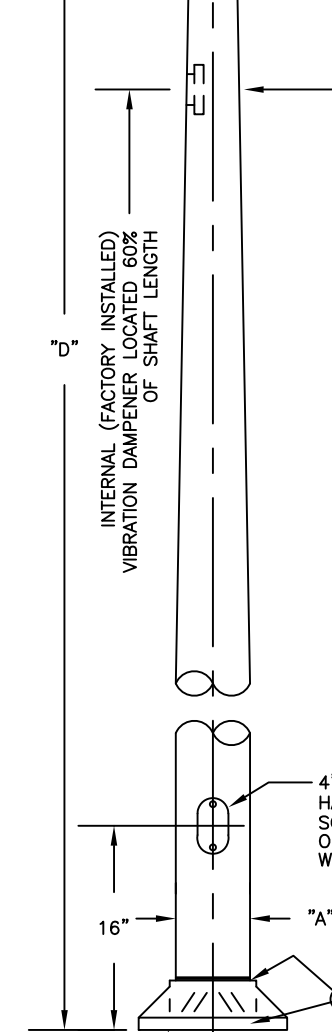


◇ SCHEDULE ◇							
CATALOG #	QTY	A	B	C	D	E	F
FPFLS10640E-DC-WISDOT-TYPE 17		10"	6"	.312"	40'-0"	15"	14"
REFERENCE: WISDOT - TYPE 17 ALUMINUM POLE							

"SPUN TAPERED ALUMINUM LIGHTING STANDARD"



CAST ALUMINUM SHOEBASE
 ALLOY 356-T6
 WITH 4 CAST ALUMINUM BOLT COVERS
 WITH ST. ST'L. ATTACHMENT SCREWS
 STAMP .188" PER SPECIFICATIONS

4" x 8" NOMINAL, REINFORCED, FLUSH
 HANDHOLE WITH COVER, ST. ST'L. ATTACHMENT
 SCREWS AND GROUND PROVISION.
 OPPOSITE HANDHOLE - WELDED CLIP ANGLE
 WITH TAPPED HOLE PER WISDOT SPEC - 1/4-20 NC

ANCHOR BOLTS NOT INCLUDED (BY OTHERS)

NOTE: HANDHOLE SHALL FACE AWAY FROM TRAFFIC

WISDOT "TYPE 17" POLE

CAST ALUMINUM SHOEBASE WITH CIRCUMFERENTIAL WELDS BOTH INSIDE AND OUT

REVISIONS		
NO.	DATE	BY
1		
2		
3		
4		
5		

 ALUMINUM LIGHT STANDARDS TUBULAR METAL PRODUCTS	95 GNARLED HOLLOW RD. EAST SETAUKET, N.Y. 11733	 TUBULAR PRODUCTS, INC.
PROJECT: WISCONSIN DOT	DIST:	
CONTRACTOR:	AGENT: JIM HERRD	
DRAWN BY SAF	DATE 03/27/17	MATERIAL AS NOTED
CHK'D	APP'D	DRAWING NO. 14198
SCALE NONE	WORK ORDER #	