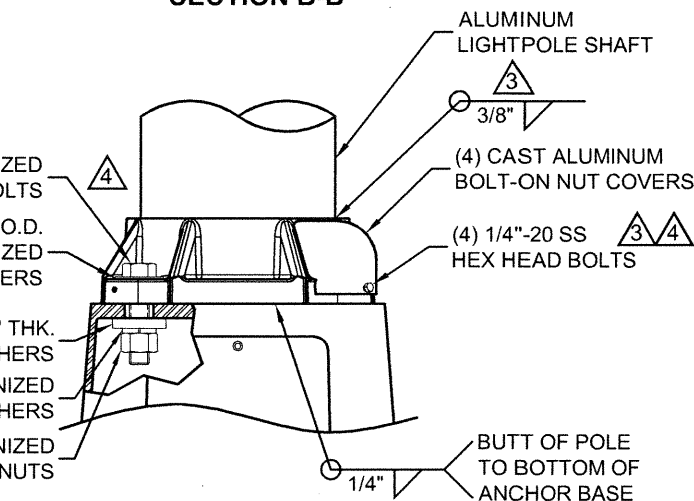
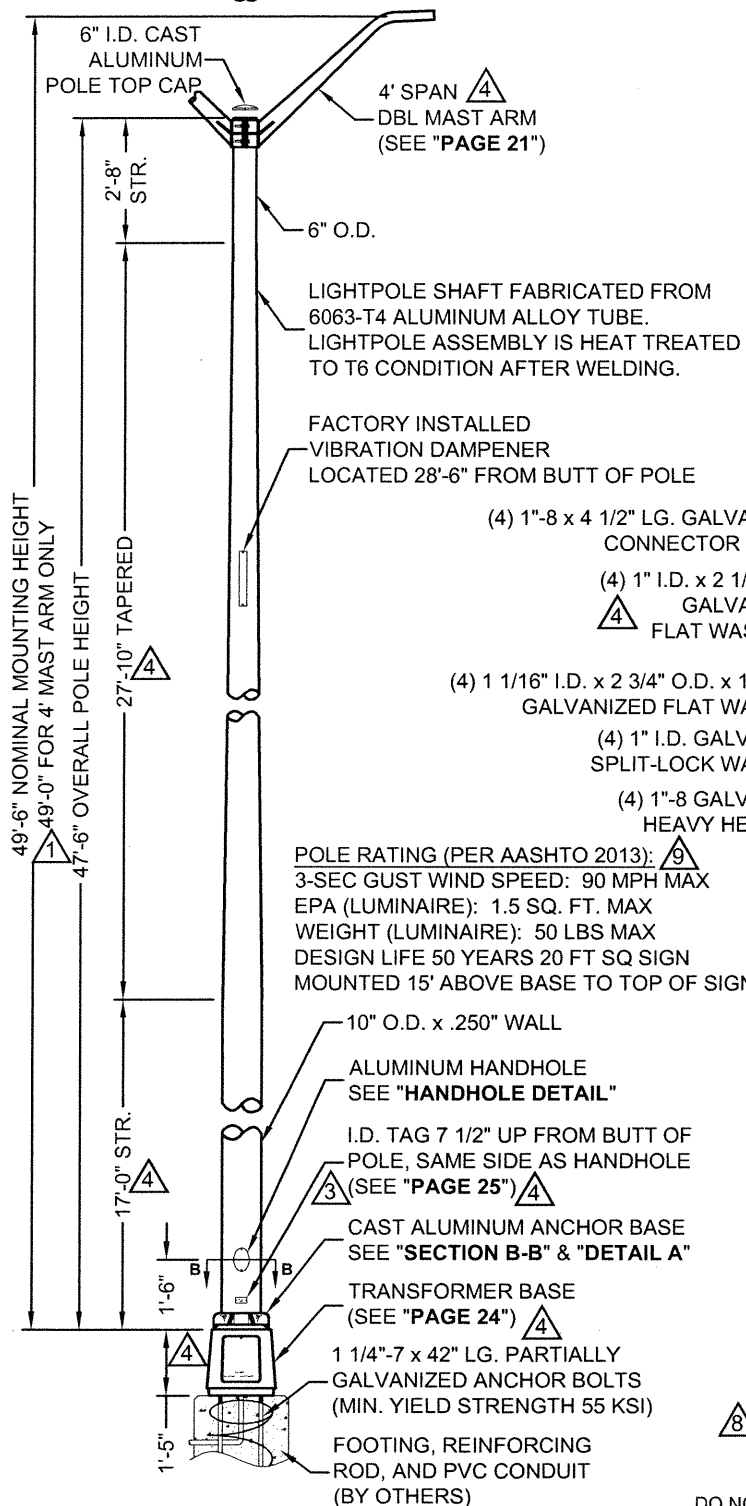
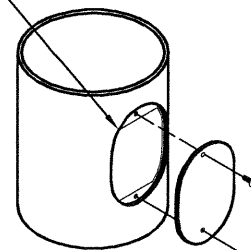


SECTION B-B



DETAIL A

ALUMINUM HANDHOLE WITH A 4" x 6" FLUSH FITTING ALUMINUM DOOR ATTACHED WITH (2) 1/4"-20 x 3/4" LG. S.S. HEX HEAD BOLTS. WITH TAPPED 5/16"-18 HOLE IN EXTRUSION FOR A GROUND CONNECTOR.



HANDHOLE DETAIL

J-HOOK MOUNTING DETAIL

NOTE: ALL STAINLESS STEEL HARDWARE TO BE COATED WITH ANTI-SEIZE COMPOUND BY CONTRACTOR IF REQUIRED

DO NOT SCALE



Valmont Industries, Inc. Structures Division  
20805 Eaton Ave Farmington, Minnesota 55024-7932  
Phone: (651) 463-8990 (800) 899-7577  
Fax: (651) 463-3349

\*\*CONFIDENTIAL\*\*

The information contained in this drawing is privileged and confidential, and may be protected from disclosure. Please be aware that any use or dissemination of this drawing may be subject to legal restriction or sanction.

TITLE: S TYPE A TRANSFORMER BASE LIGHTPOLES		QTY: -	
MODEL NO.: 470660108T4A		DWN BY: BMS	
MATERIAL: ALUMINUM ALLOY		CHK'D BY:	
FINISH: 100 GRIT SATIN POLISH		APPR BY: CEW	
PROJECT: WISDOT		DATE: 12/12/05	
SOLD TO:		DWG NO: DR1154	
SHIP TO:		PAGE:	
P.O. NO:		BY JRB	
REP:		5 / 25	
△	01-22-15	REV'D NOTES; REV'D ARM	KPS
△	08-25-14	REVISED J-HOOK DETAIL	KPS
△	11-08-13	REV'D SLOT WIDTH	JRB
REV	DATE	REVISION DESCRIPTION	BY