

APPROVED
Alexander Crabtree
 11/02/2018

DEVICE	DESCRIPTION	PROJ. AREA (FT²)	WEIGHT (LBS)
(A)	MITIGATOR TR1 MAST ARM VIBRATION DAMPER	1.20	37
(B)	12"-4 SEC. SIGNAL WITH BACKPLATES	11.00	70
(C)	30" X 36" SIGN	7.50	15
(D)	12"-3 SEC. SIGNAL WITH BACKPLATES	8.67	60
(E)	108" X 36" STREET NAME SIGN	13.50	85
(F)	12"-5 SEC. SIGNAL WITH BACKPLATES	13.33	85
(G)	4 SEC./3 SEC. SIGNAL WITH BACKPLATES	19.37	130
(H)	POLE MOUNTED PED SIGNAL	2.74	28
(I)	36" X 36" SIGN	9.00	30
(J)	30" X 30" FOLDING STOP SIGN	6.25	20
(K)	5 SEC / 4 SEC / 3 SEC SIGNAL WITH BACKPLATES	26.66	210

THE MAST ARM TRAFFIC STRUCTURES SHOWN ON THIS DRAWING HAVE BEEN DESIGNED IN ACCORDANCE WITH THE LOADING AND THE NOMINAL STRENGTH REQUIREMENTS OF THE 2015 AASHTO LRFD SPECIFICATIONS FOR STRUCTURAL SUPPORTS FOR HIGHWAY SIGNS, LUMINAIRES AND TRAFFIC SIGNALS, FIRST EDITION" SLTS-1. THE WIND LOADS WERE CALCULATED FROM AN ULTIMATE WIND VELOCITY OF 115 MPH WITH A MEAN RECURRENCE INTERVAL OF 700 YEARS, AND A FATIGUE CATEGORY OF 2. THE FATIGUE LOADS WERE CALCULATED ON THE REQUIREMENTS OF SECTION 11 OF THE CODE, AND THE FOLLOWING DESIGN CONDITIONS:

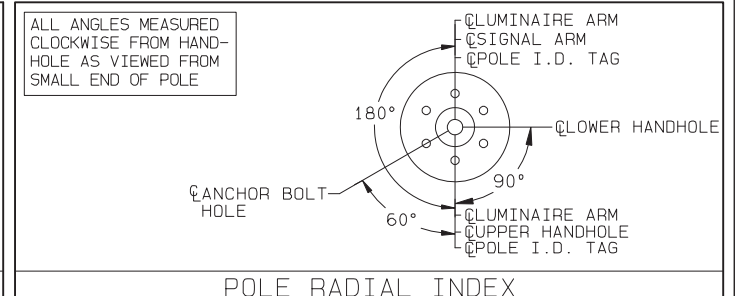
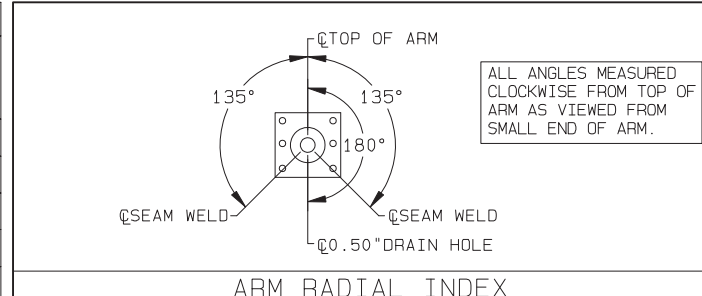
- STRUCTURES ARE DESIGNED TO RESIST NATURAL WIND GUSTS BASED ON THE YEARLY MEAN WIND VELOCITY OF 11.2 MPH.
- STRUCTURES ARE NOT DESIGNED TO RESIST GALLOPING-INDUCED CYCLIC LOADS.
- STRUCTURES ARE DESIGNED FOR TRUCK-INDUCED GUST LOADS, AS REQUIRED BY THE OWNER OF THE STRUCTURES.

AASHTO 2015 SPECIFICATIONS

COMPONENT	ASTM DESIGNATION	MIN. YIELD (KSI)	COMPONENT	ASTM DESIGNATION	MIN. YIELD (KSI)
TAPERED TUBES	A595 GR. A OR A572	55	LUMINAIRE ARM ATTACH. LUM. ARM CONN. BOLTS	A36 A325*	36
POLE BASE	A572 GR.50	50	ANCHOR BOLTS W/ SUPPLEMENTARY SPEC S4	F1554 GR.55	55
SIGNAL ARM ATTACHMENT	A36	36	ANCHOR BOLT TEMPLATE	A36	36
SIGNAL ARM CONN. BOLTS	A325*				
GALVANIZING STRUCTURE	A123				
GALVANIZING HARDWARE	HOT DIP ZINC				

* LUBRICATE IN THE FIELD IF NECESSARY

ARM SPAN "L" (FT)	FIXED END DIA. (IN)	FREE END DIA. (IN)	GAUGE	RISE "R" (FT)
6.00	3.39	2.40	11	3.00
8.00	3.63	2.40	11	3.00
10.00	3.88	2.40	11	3.00
12.00	4.16	2.40	11	3.00
15.00	4.58	2.40	11	3.00



STRUCTURE TYPE	POLE TUBE			POLE BASE			ANCHOR BOLT DATA					SIGNAL ARM TUBE						
	BASE DIA. (IN)	TOP DIA. (IN)	LENGTH (FT)	GAUGE OR THK. (IN)	ROUND DIA "R" (IN)	BOLT CIRCLE "Y" (IN)	THK. "M" (IN)	CENTER HOLE "P" (IN)	BOLT HOLE "Z" (IN)	DIA. "K" (IN)	LENGTH "J" (IN)	THREAD LENGTH "U1" (IN)	THREAD LENGTH "U2" (IN)	ANCHOR BOLT QTY.	FIXED END DIA. (IN)	FREE END DIA. (IN)	GAUGE OR THICK (IN)	SPAN (FT)
TYPE 9 (SPECIAL)	13.00	10.06	21.00	3	22.00	18.00	2.00	11.25	1.75	1.50	52.00	10.00	5.50	6	11.00	6.10	7	35.00
															11.00	5.40	7	40.00
															11.50	5.20	7	45.00
TYPE 10 (SPECIAL)	13.00	8.80	30.00	3	22.00	18.00	2.00	11.25	1.75	1.50	52.00	10.00	5.50	6	11.00	6.10	7	35.00
															11.00	5.40	7	40.00
															11.50	5.20	7	45.00

Digitally signed by
NIZAM A QASSEM
 E-41317 OMAHA NE
 PROFESSIONAL ENGINEER
 Date: 2018-10-23 14:19:05:00

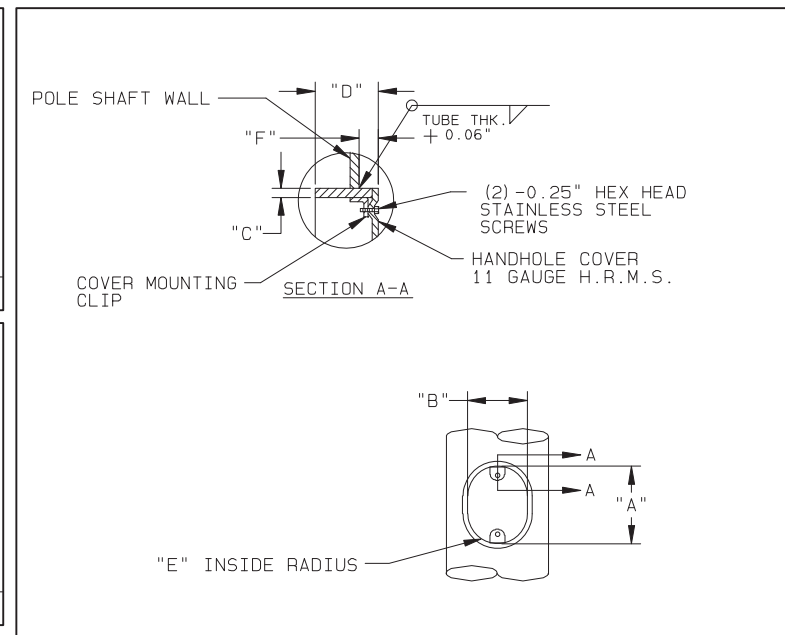
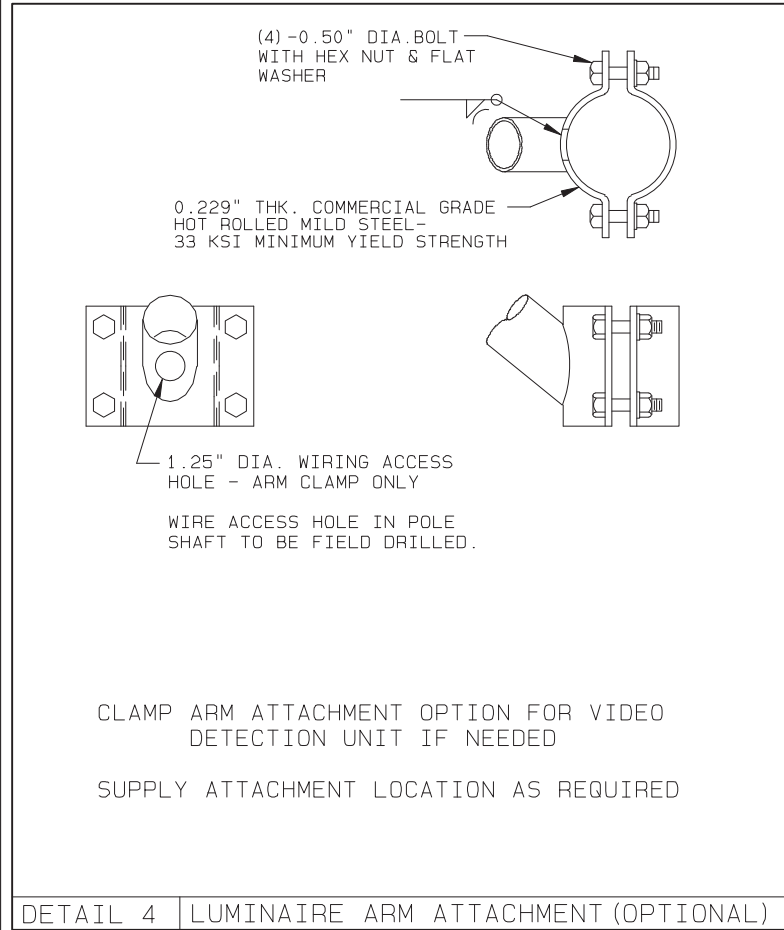
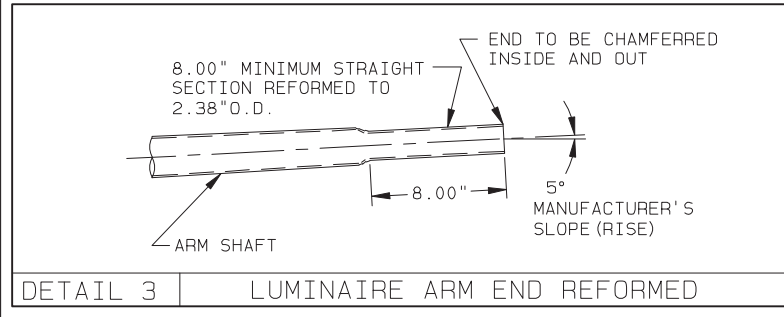
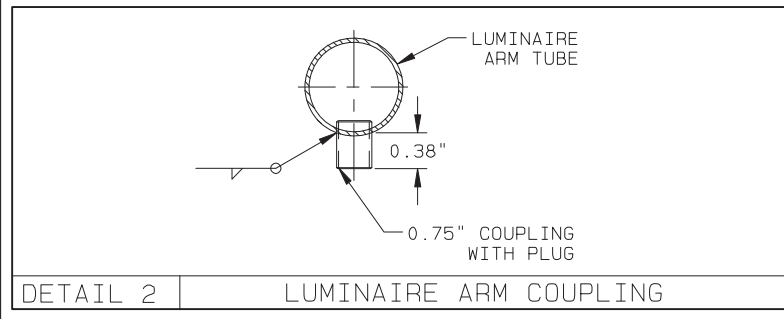
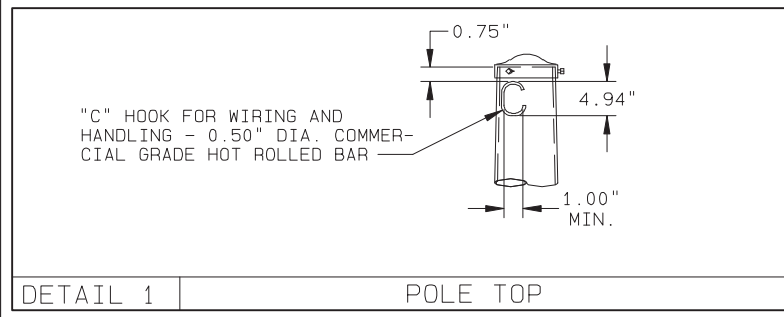
REV	DRAWN BY-DATE	CHECK BY-DATE	DESCRIPTION
A	AH7 10/22/18	NKL 10/23/18	ROTATED LOWER HH/ REVISED RADIAL INDEX
	AH7 09/14/18	NKL 09/27/18	

TITLE WISCONSIN DEPARTMENT OF TRANSPORTATION
 TYPE 9 SPECIAL & TYPE 10 SPECIAL TRAFFIC SIGNAL STRUCTURES
 AASHTO 2015

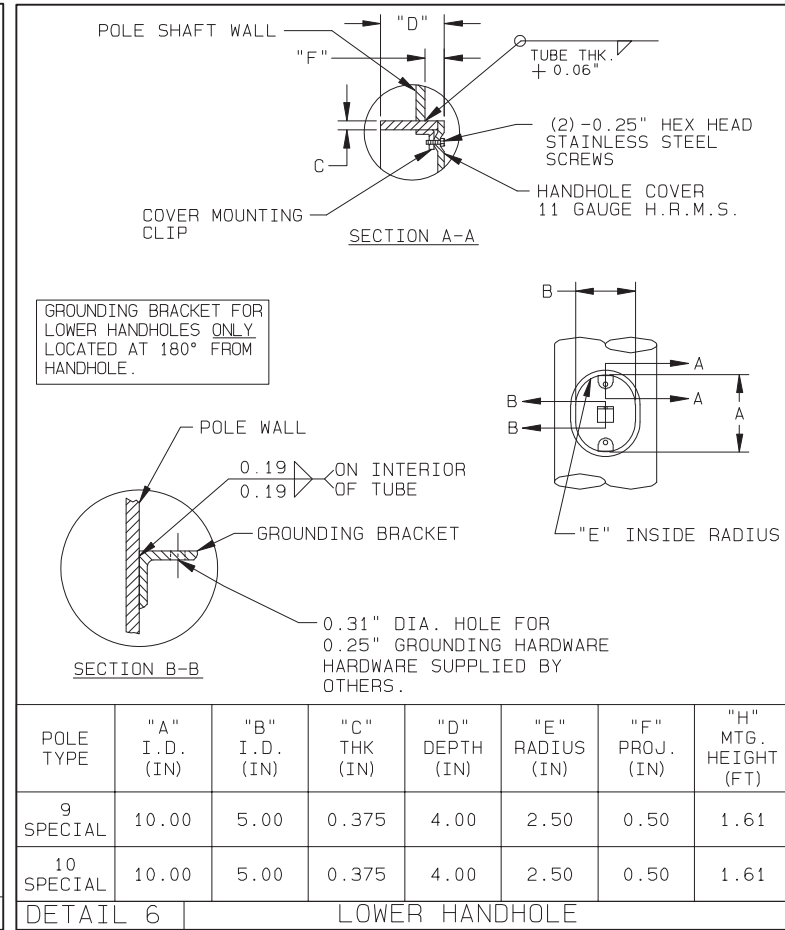
VALMONT INDUSTRIES, INC. RESERVES THE RIGHT TO INSTALL VARIOUS, ENGINEER APPROVED, MATERIAL HANGING ACCOMMODATIONS TO FACILITATE THE MANUFACTURING PROCESS.



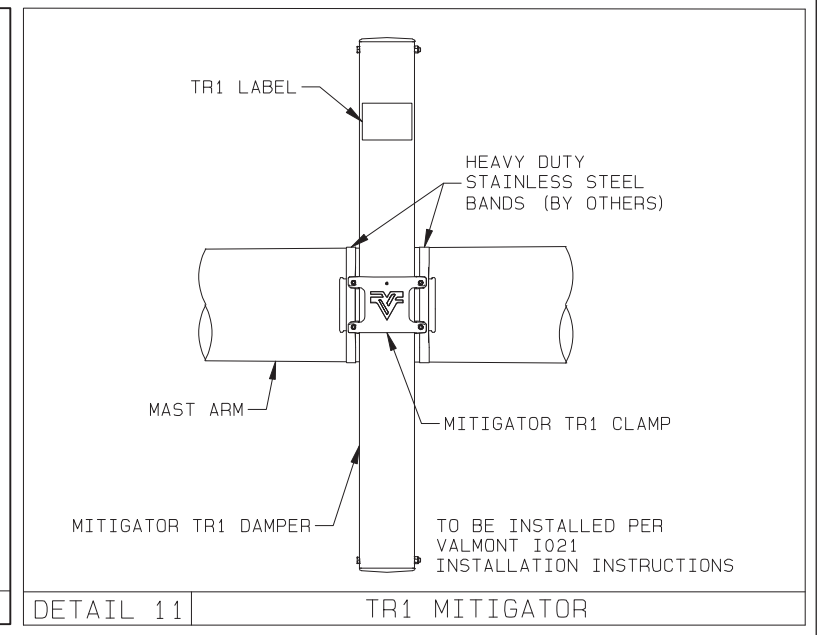
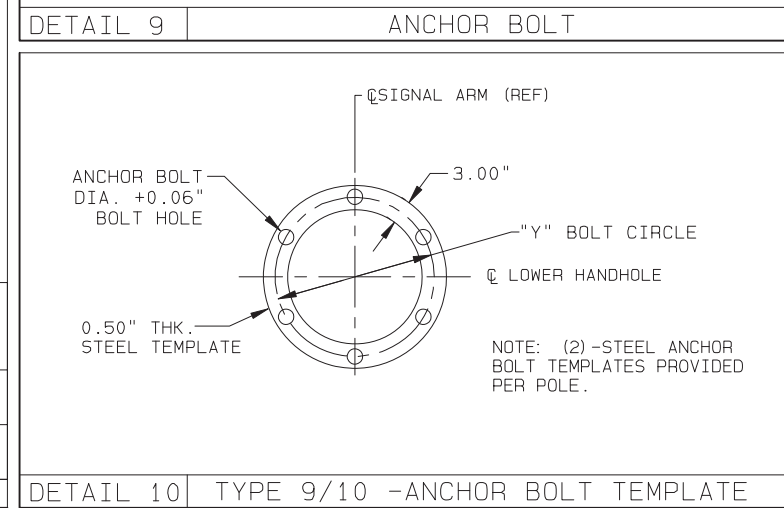
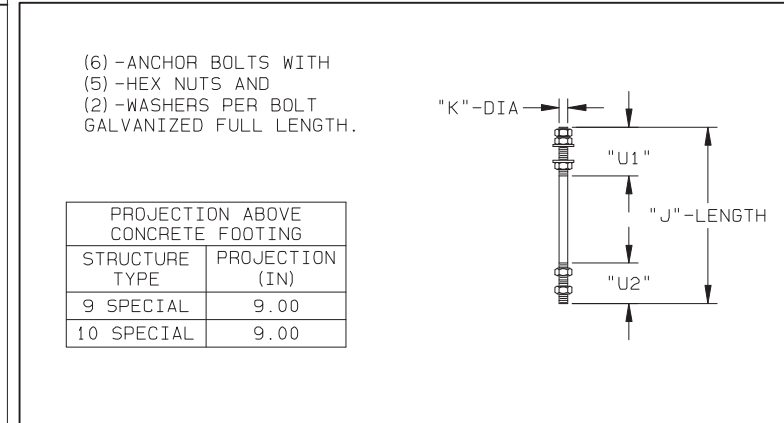
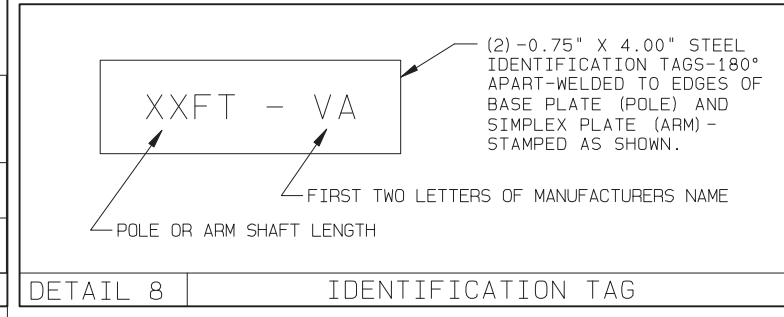
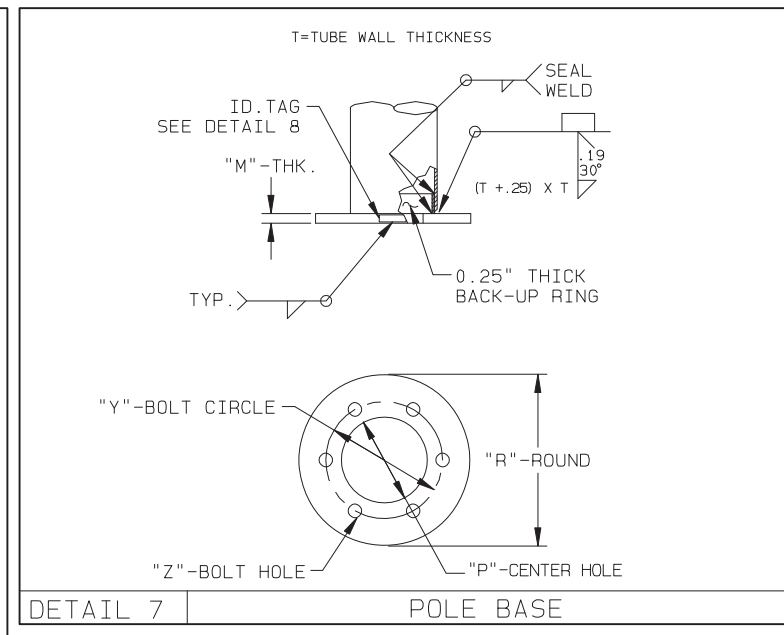
PAGE NUMBER: 1 OF 3	REV
DRAWING NUMBER	DB01268
	A



POLE TYPE	"A" I.D. (IN)	"B" I.D. (IN)	"C" THK (IN)	"D" DEPTH (IN)	"E" RADIUS (IN)	"F" PROJ. (FT)
9 SPECIAL	6.69	4.00	0.250	2.00	2.00	0.50
10 SPECIAL	6.69	4.00	0.250	2.00	2.00	0.50



POLE TYPE	"A" I.D. (IN)	"B" I.D. (IN)	"C" THK (IN)	"D" DEPTH (IN)	"E" RADIUS (IN)	"F" PROJ. (IN)	"H" MTG. HEIGHT (FT)
9 SPECIAL	10.00	5.00	0.375	4.00	2.50	0.50	1.61
10 SPECIAL	10.00	5.00	0.375	4.00	2.50	0.50	1.61



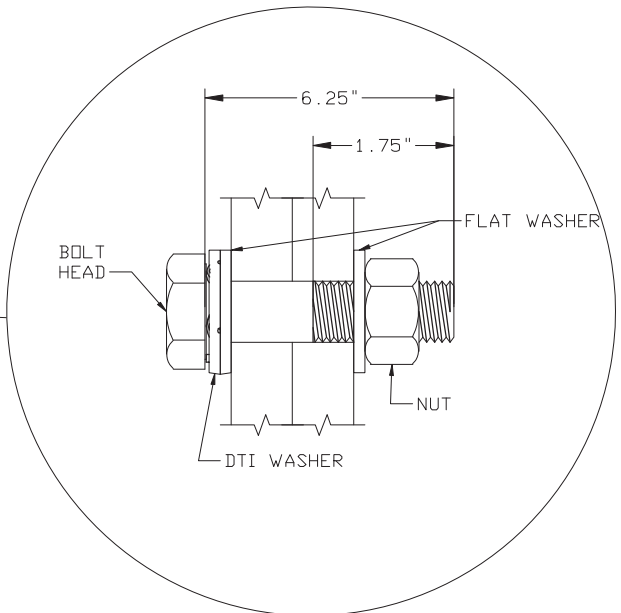
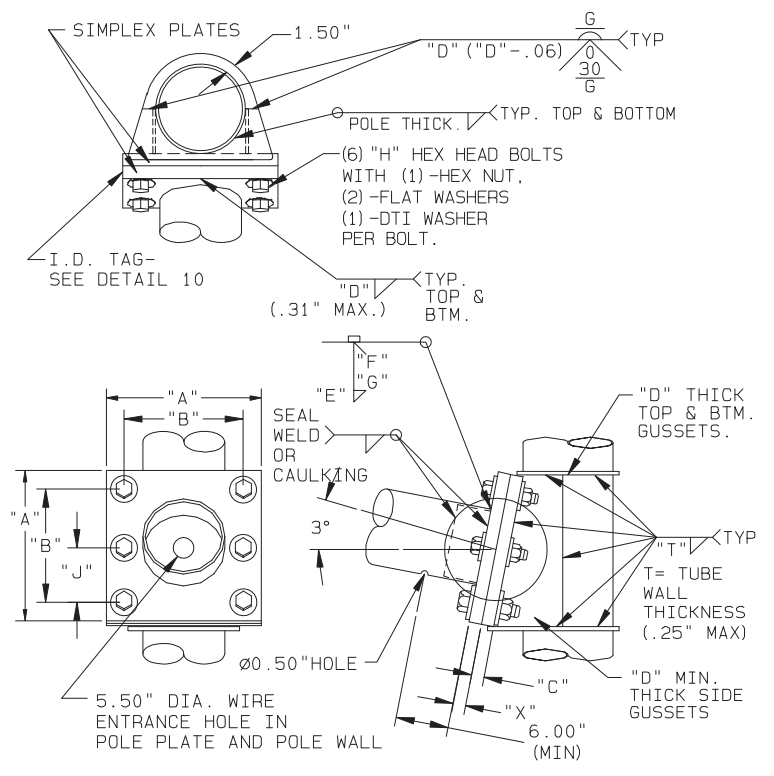
ALTHOUGH RARE, VIBRATIONS SEVERE ENOUGH TO CAUSE DAMAGE CAN OCCASIONALLY OCCUR IN STRUCTURES OF ALL TYPES. BECAUSE THEY ARE INFLUENCED BY MANY INTERACTING VARIABLES, VIBRATIONS ARE GENERALLY UNPREDICTABLE. THE USER'S MAINTENANCE PROGRAM SHOULD INCLUDE OBSERVATION FOR EXCESSIVE VIBRATION AND EXAMINATION FOR ANY STRUCTURAL DAMAGE OR BOLT LOOSENING. THE VALMONT WARRANTY SPECIFICALLY EXCLUDES FATIGUE FAILURE OR SIMILAR PHENOMENA RESULTING FROM INDUCED VIBRATION, HARMONIC OSCILLATION OR RESONANCE ASSOCIATED WITH MOVEMENT OF AIR CURRENTS AROUND THE PRODUCT.

VIBRATION DISCLAIMER

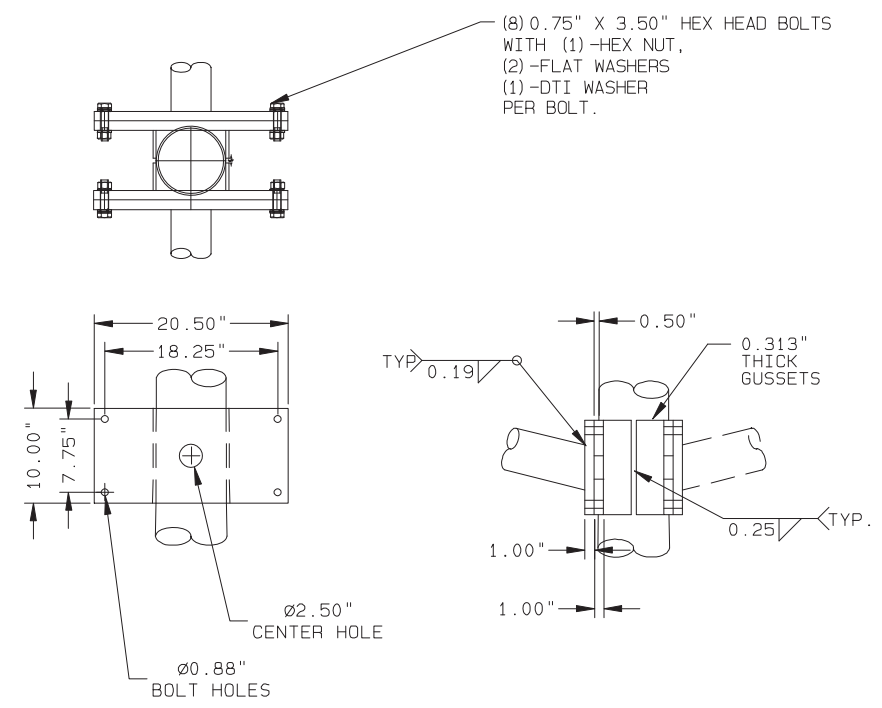
APPROVED
Alexander Crabtree
11/02/2018



Digitally signed by
NIZAM A QASSEM
Date: 2018-10-23
14:19:05:00



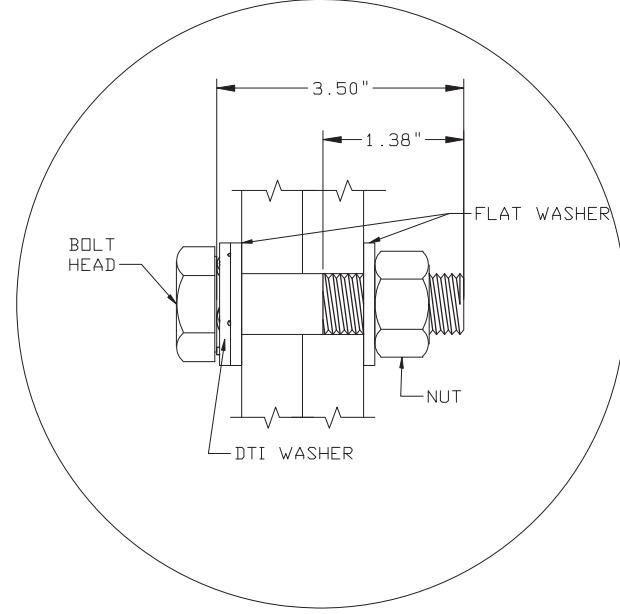
TYPE 10 SPECIAL POLES
COVER PLATES WILL BE PROVIDED FOR UNUSED LUMINAIRE ARM CONNECTIONS



ARM TO PLATE WELD "E"	BEVEL SIZING "F"X"G"
(ARM THICK. + .25") X ARM THICK.	.19" X 30°
DETAIL 12 TYPE 9/10 SPECIAL SIGNAL ARM ATTACHMENT	

DETAIL 13 TYPE 10 SPECIAL - LUMINAIRE ARM ATTACHMENT

ARM SPAN (FT)	"A" (IN)	"B" (IN)	"J" (IN)	POLE PLATE "C" (IN)	ARM PLATE "X" (IN)	"D" (IN)	CENTER HOLE DIA. (IN)	"H" (IN)
35.00	18.75	15.50	7.75	2.00	2.25	0.375	7.00	1.00 X 6.25
40.00	18.75	15.50	7.75	2.00	2.25	0.375	7.00	1.00 X 6.25
45.00	18.75	15.50	7.75	2.00	2.25	0.375	7.00	1.00 X 6.25

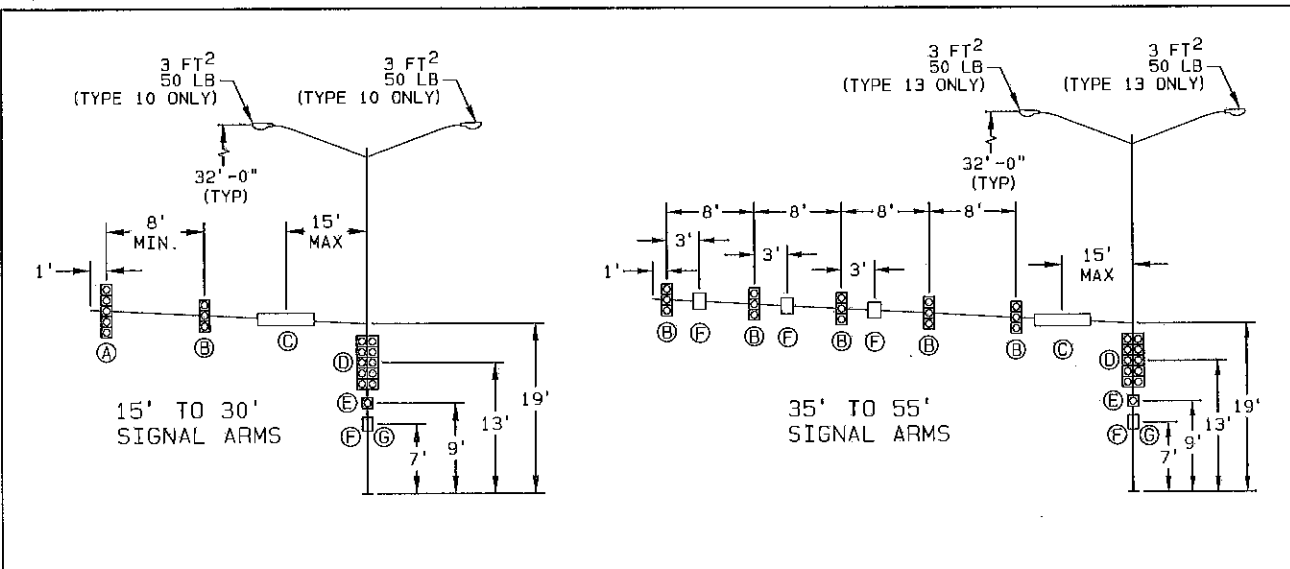
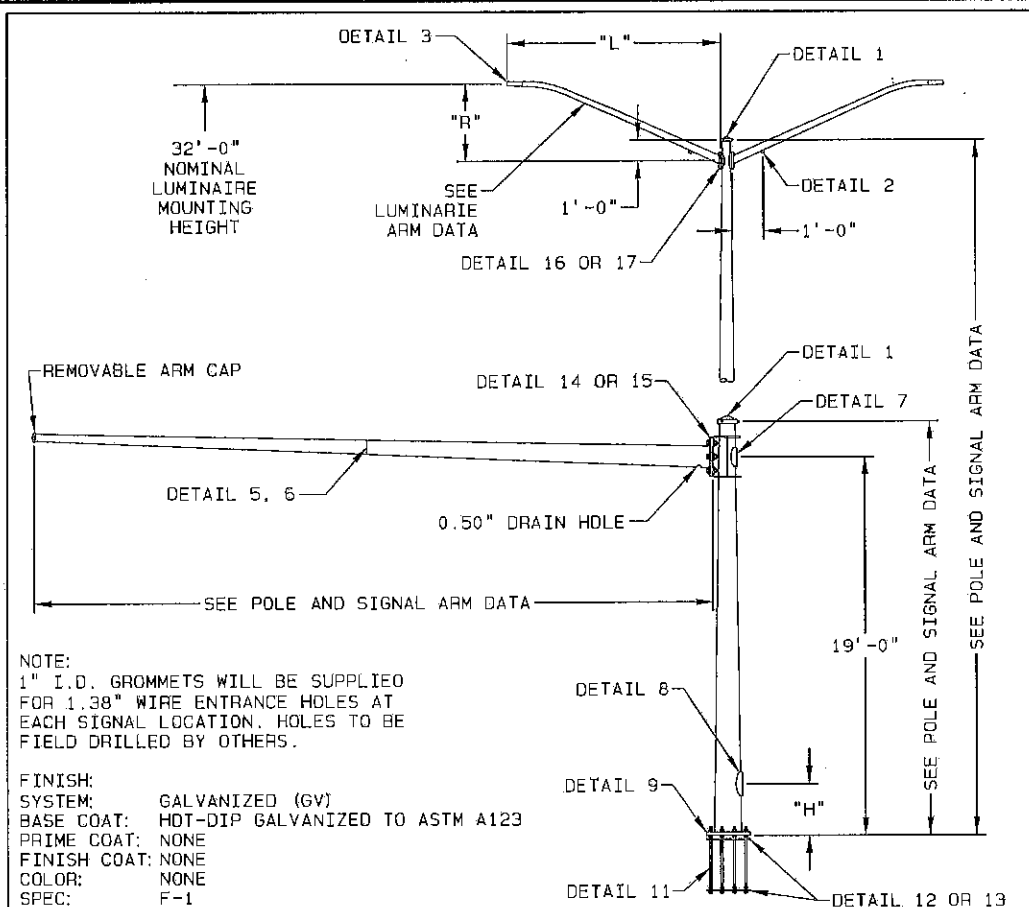


APPROVED
Alexander Crabtree
 11/02/2018



Digitally signed by
 NIZAM A QASSEM
 Date: 2018-10-23
 14:18-05:00

RECOMMENDED BOLT ASSEMBLY



DEVICE	DESCRIPTION	PROJ. AREA (FT²)	WEIGHT (LBS)
(A)	12"-5 SEC. SIGNAL WITH BACKPLATES	13.33	105
(B)	12"-3 SEC. SIGNAL WITH BACKPLATES	8.67	60
(C)	18" X 108" STREET NAME SIGN	13.50	42
(D)	DUAL 12"-5 SEC. SIGNAL WITH BACKPLATES	26.66	210
(E)	POLE MOUNTED PED SIGNAL	3.23	28
(F)	24" X 30" SIGN	5	15
(G)	30" X 30" FOLDING STOP SIGN	6.25	19

MAXIMUM LOADING INFORMATION

THESE TRAFFIC SIGNAL SUPPORT STRUCTURES ARE DESIGNED IN ACCORDANCE WITH LOADING AND ALLOWABLE STRESS REQUIREMENTS OF 2013 AASHTO "STANDARDS SPECIFICATION FOR STRUCTURAL SUPPORTS FOR HIGHWAY SIGNS, LUMINAIRES AND TRAFFIC SIGNALS", SIXTH EDITION. WIND LOADS ARE BASED ON A BASIC WIND SPEED OF 90 MPH WITH A RECURRENCE INTERVAL OF 50 YEARS. FATIGUE CATEGORY 3 USED FOR STRUCTURE TYPES 9 & 10. FATIGUE CATEGORY 2 USED FOR STRUCTURE TYPES 12 & 13. FATIGUE LOADS ARE BASED ON THE REQUIREMENTS OF SECTION 11.7 AND THE FOLLOWING DESIGN LOADS:

NATURAL WIND GUSTS: THE YEARLY MEAN WIND SPEED FOR NATURAL WIND GUSTS WILL BE ASSUMED TO BE 11.2 MPH.

GALLOPING: STRUCTURES ARE DESIGNED TO RESIST PERIODIC GALLOPING FORCES.

TRUCK-INDUCED GUST: STRUCTURES ARE DESIGNED TO INCLUDE TRUCK-INDUCED GUSTS. (THE SPECIFIED AVERAGE TRUCK SPEED IS 45 MPH)

AASHTO 2013 SPECIFICATIONS

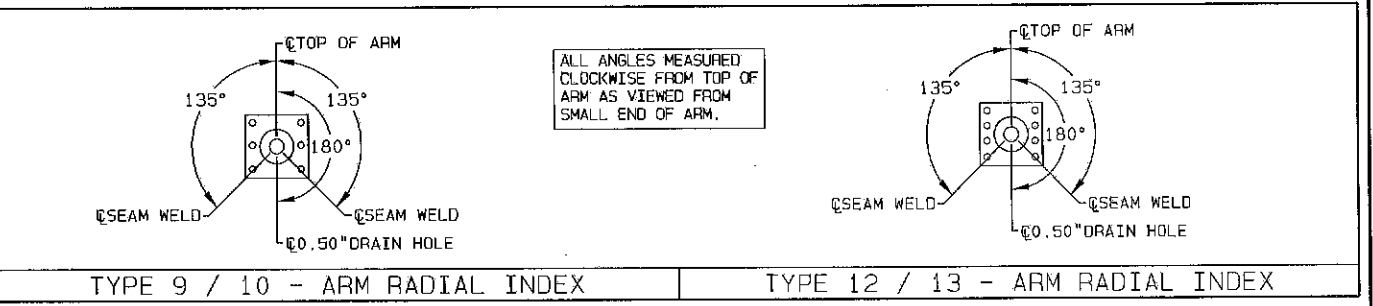
ALTHOUGH RARE, VIBRATIONS SEVERE ENOUGH TO CAUSE DAMAGE CAN OCCASIONALLY OCCUR IN STRUCTURES OF ALL TYPES. BECAUSE THEY ARE INFLUENCED BY MANY INTERACTING VARIABLES, VIBRATIONS ARE GENERALLY UNPREDICTABLE. THE USER'S MAINTENANCE PROGRAM SHOULD INCLUDE OBSERVATION FOR EXCESSIVE VIBRATION AND EXAMINATION FOR ANY STRUCTURAL DAMAGE OR BOLT LOOSENING. THE VALMONT WARRANTY SPECIFICALLY EXCLUDES FATIGUE FAILURE OR SIMILAR PHENOMENA RESULTING FROM INDUCED VIBRATION, HARMONIC OSCILLATION OR RESONANCE ASSOCIATED WITH MOVEMENT OF AIR CURRENTS AROUND THE PRODUCT.

VIBRATION DISCLAIMER

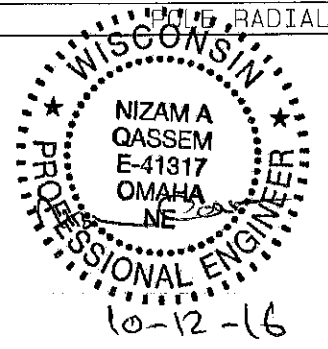
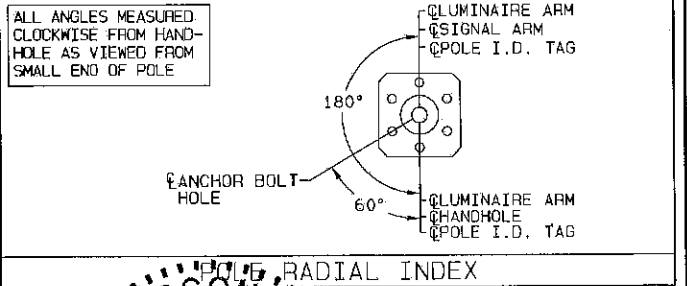
MATERIAL DATA		
COMPONENT	ASTM DESIGNATION	MIN. YIELD (KSI)
TAPERED TUBES	A595 GR. A OR A572	55
POLE BASE	A572 GR.50	50
SIGNAL ARM ATTACHMENT	A36	36
SIGNAL ARM CONN. BOLTS	A325*	
GALVANIZING STRUCTURE	A123	
GALVANIZING HARDWARE	HOT DIP ZINC	

* LUBRICATE IN THE FIELD IF NECESSARY

LUMINAIRE ARM DATA				
ARM SPAN "L" (FT)	FIXED END DIA. (IN)	FREE END DIA. (IN)	GAUGE	RISE "R" (FT)
5.00	3.39	2.40	11	3.00
8.00	3.63	2.40	11	3.00
10.00	3.88	2.40	11	3.00
12.00	4.16	2.40	11	3.00
15.00	4.56	2.40	11	3.00



STRUCTURE TYPE	POLE TUBE				POLE BASE				ANCHOR BOLT DATA					SIGNAL ARM TUBE				
	BASE DIA. (IN)	TOP DIA. (IN)	LENGTH (FT)	GAUGE OR THK. (IN)	SQUARE "S" (IN)	BOLT CIRCLE "Y" (IN)	THK. "M" (IN)	CENTER HOLE "P" (IN)	BOLT HOLE "Z" (IN)	DIA. "K" (IN)	LENGTH "J" (IN)	THREAD LENGTH "U1" (IN)	THREAD LENGTH "U2" (IN)	ANCHOR BOLT QTY.	FIXED END DIA. (IN)	FREE END DIA. (IN)	GAUGE OR THICK (IN)	SPAN (FT)
TYPE 9	11.50	8.56	21.00	7	19.00	15.00	2.00	10.14	1.75	1.50	52.00	10.00	5.50	6	8.00	5.90	7	15.00
															8.00	5.20	7	20.00
															9.00	5.50	7	25.00
															9.00	4.80	7	30.00
TYPE 10	11.50	7.30	30.00	7	19.00	15.00	2.00	10.14	1.75	1.50	52.00	10.00	5.50	6	8.00	5.90	7	15.00
															8.00	5.20	7	20.00
															9.00	5.50	7	25.00
															9.00	4.80	7	30.00
TYPE 12	19.20	16.26	21.00	0.313	29.00	24.00	2.00	12.00	2.00	1.75	86.00	11.00	5.50	6	14.50	9.60	0.250	35.00
															15.50	9.90	0.250	40.00
															17.00	10.70	0.250	45.00
															16.00	9.38	DET.5	50.00
															16.25	8.93	DET.5	55.00
															14.50	9.60	0.250	35.00
TYPE 13	19.20	15.00	30.00	0.313	29.00	24.00	2.00	12.00	2.00	1.75	86.00	11.00	5.50	6	14.50	9.60	0.250	35.00
															15.50	9.90	0.250	40.00
															17.00	10.70	0.250	45.00
															16.00	9.38	DET.5	50.00
															16.25	8.93	DET.5	55.00
															14.50	9.60	0.250	35.00



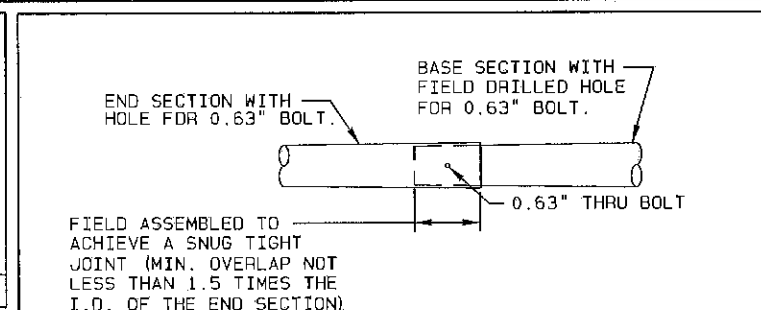
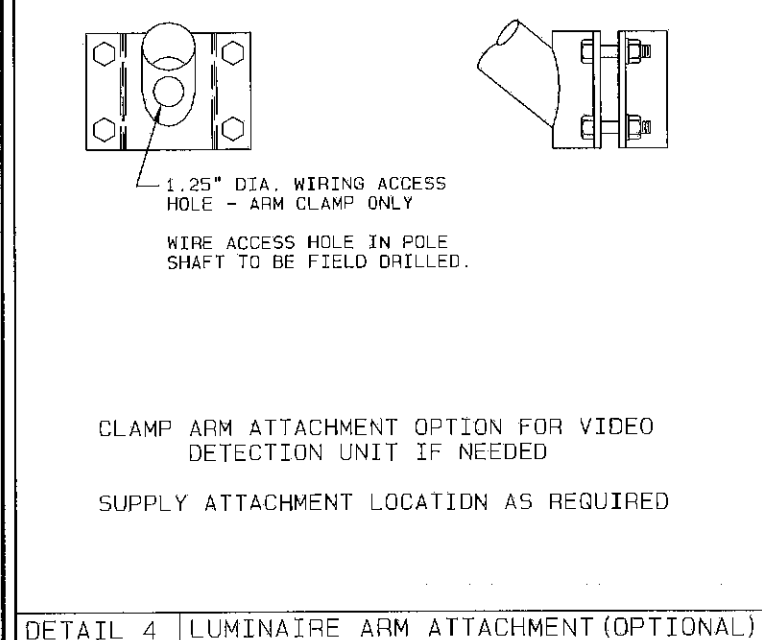
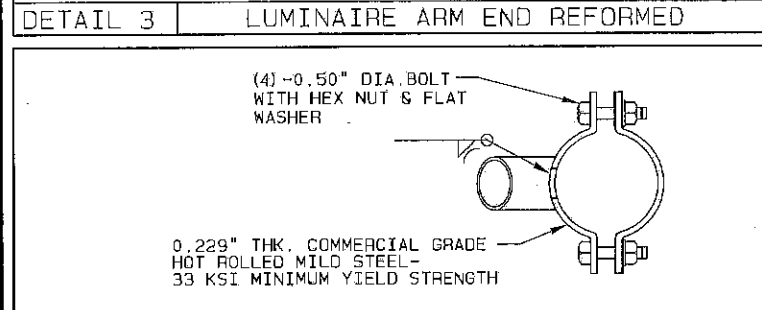
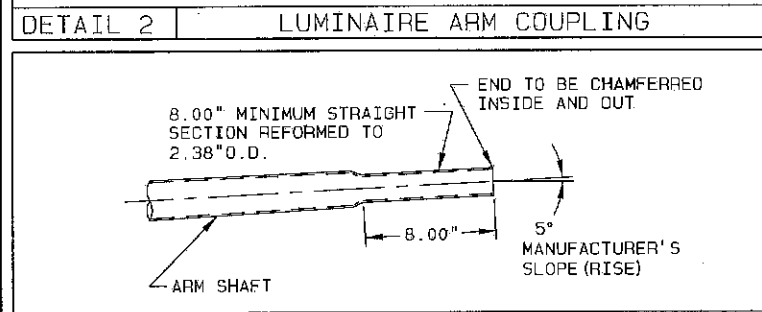
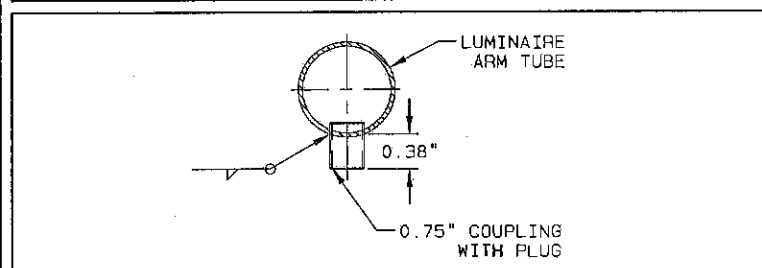
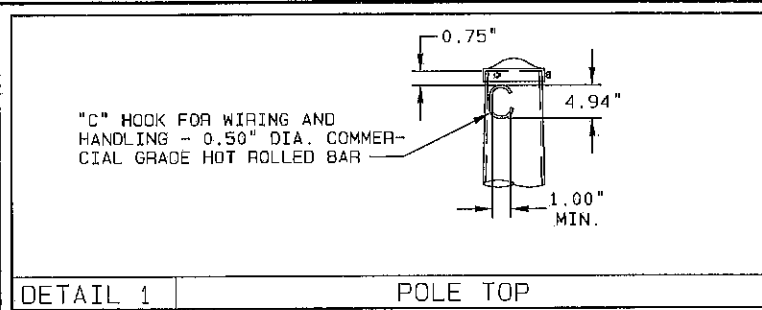
REV	DATE	DESCRIPTION
E	NKL 10/12/16	REVISED LUMINAIRE/MAST ARM DATA
D	NKL 12/16/15	REVISED ANCHOR BOLT DATA
C	NKL 01/21/15	ADDED THREAD LENGTH TO BOLT
B	NKL 12/17/14	POLE SIZES TYPE 12/13 / ADD PAGE 3 DETAIL
A	NKL 03/11/14	REVISED TYPE 12/13 SIZES
	AC19 11/27/13	

TITLE: WISCONSIN DEPARTMENT OF TRANSPORTATION
 TYPES 9, 10, 12, & 13 TRAFFIC SIGNAL STRUCTURES
 AASHTO 2013

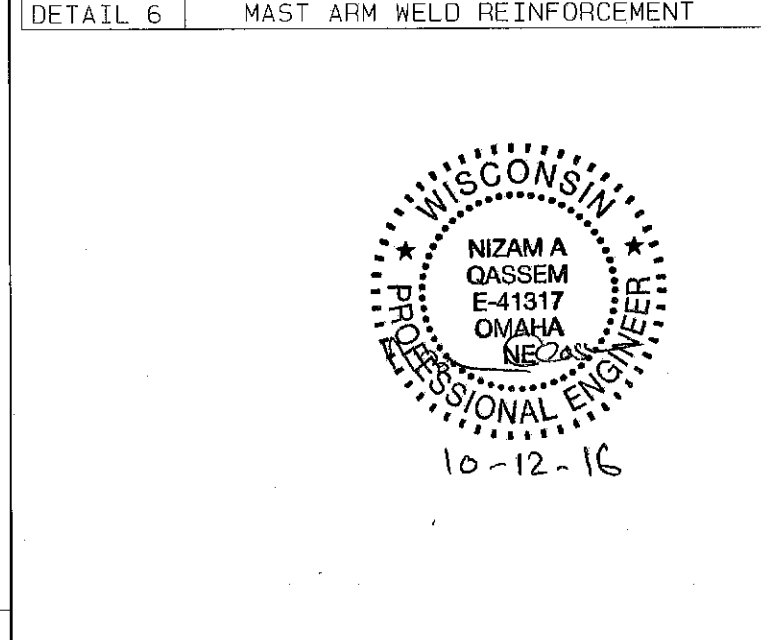
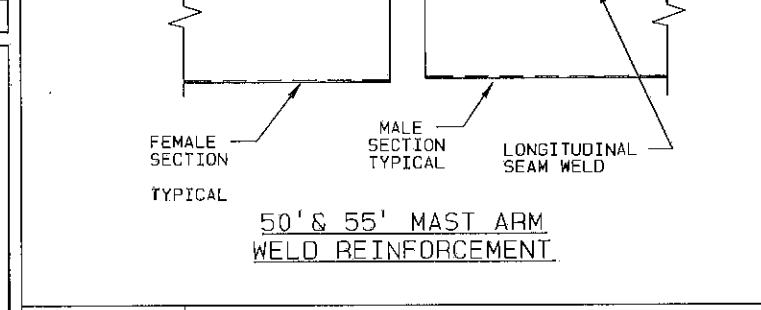
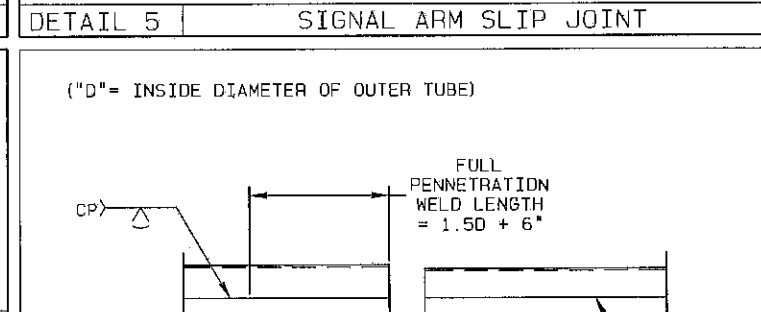
VALMONT INDUSTRIES, INC. RESERVES THE RIGHT TO INSTALL VARIOUS, ENGINEER APPROVED, MATERIAL HANGING ACCOMMODATIONS TO FACILITATE THE MANUFACTURING PROCESS.

valmont
 Valley, NE 68064
 (402) 359-2201

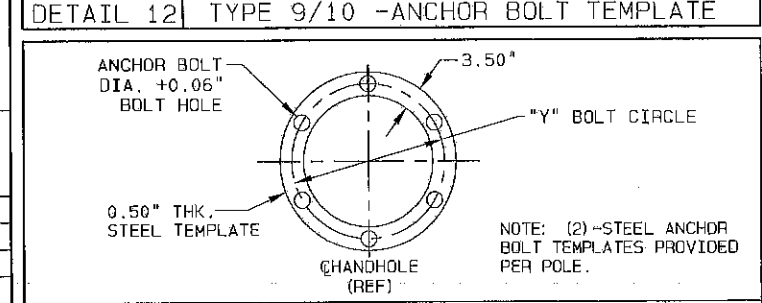
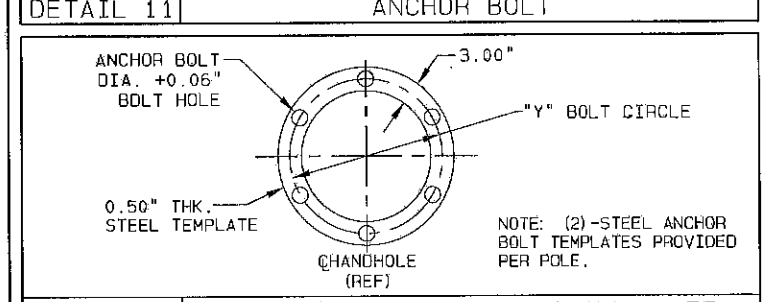
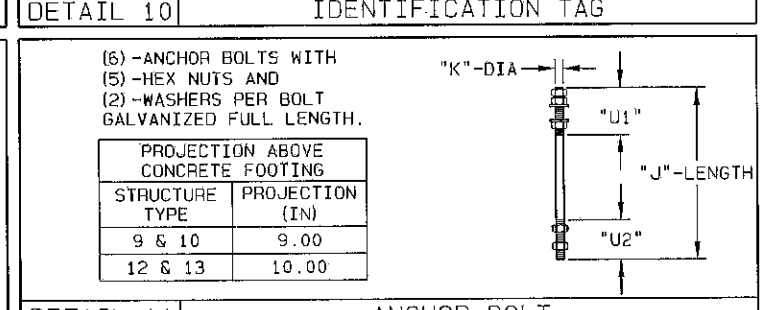
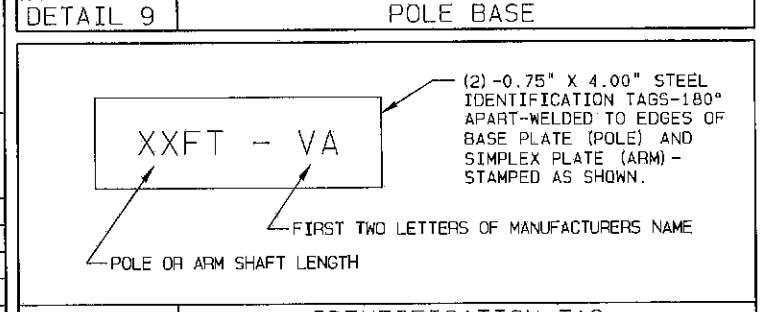
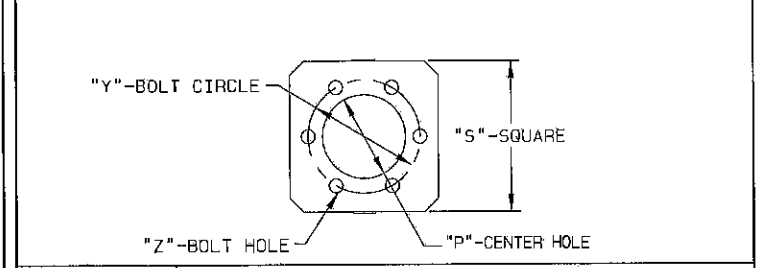
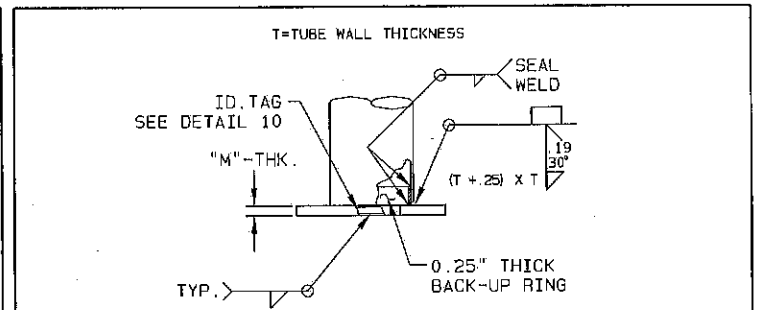
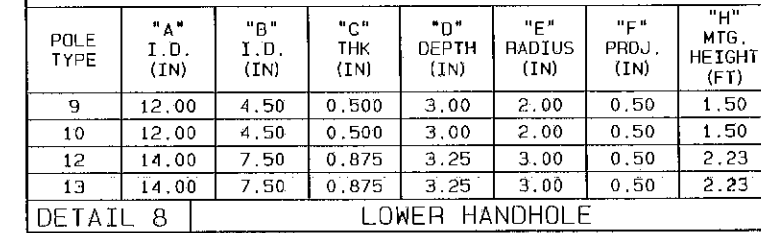
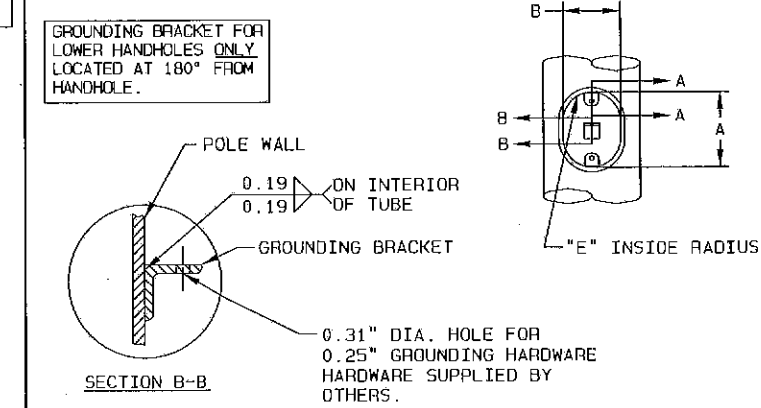
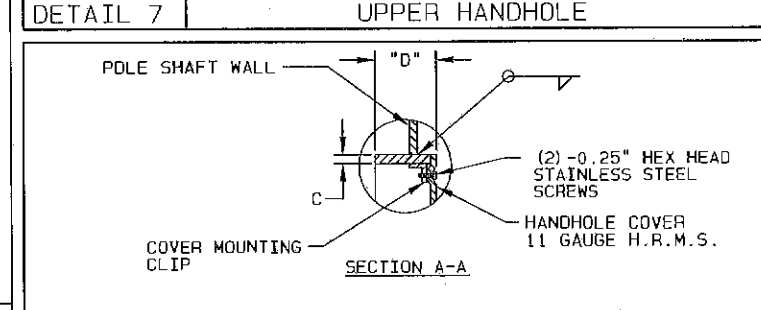
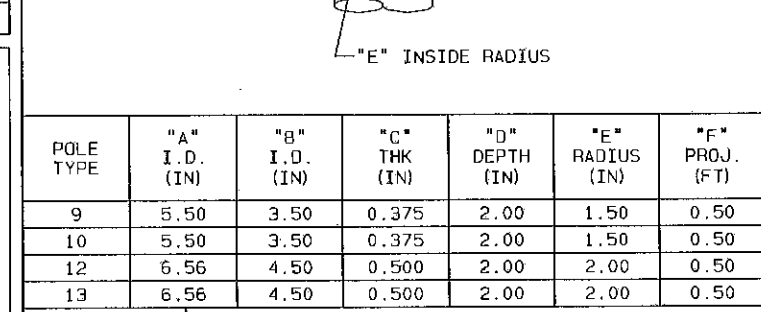
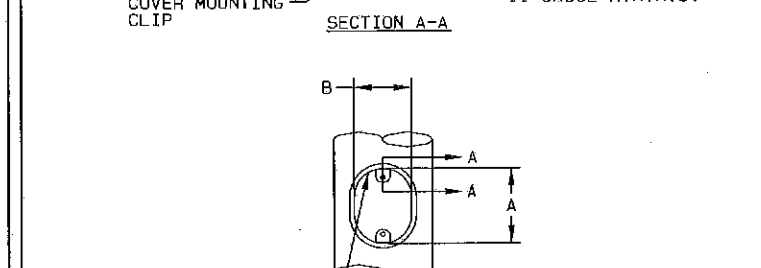
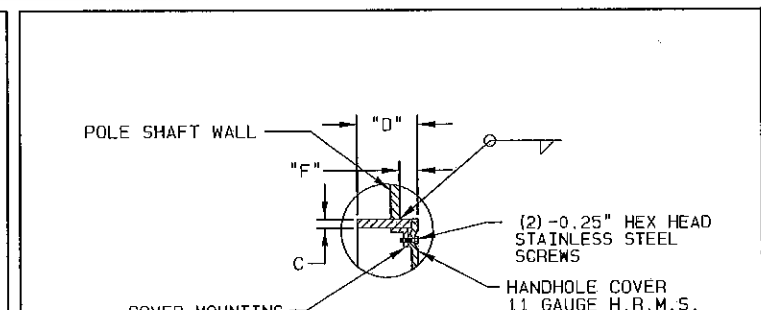
PAGE NUMBER: 1 OF 3
 DRAWING NUMBER: DB01072
 REV: E



SPAN	BASE SECTION		END SECTION	
	LENGTH	WALL	BASE OD	LENGTH
50.00'	15.00'	0.500"	14.68"	37.90'
55.00'	15.00'	0.500"	14.94"	42.93'



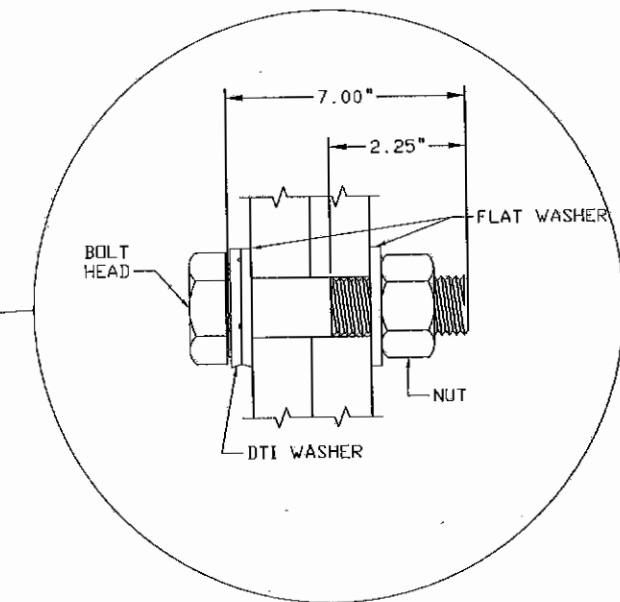
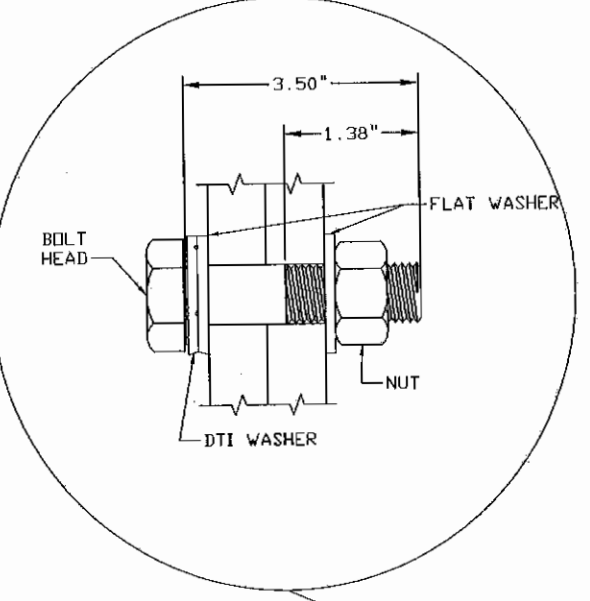
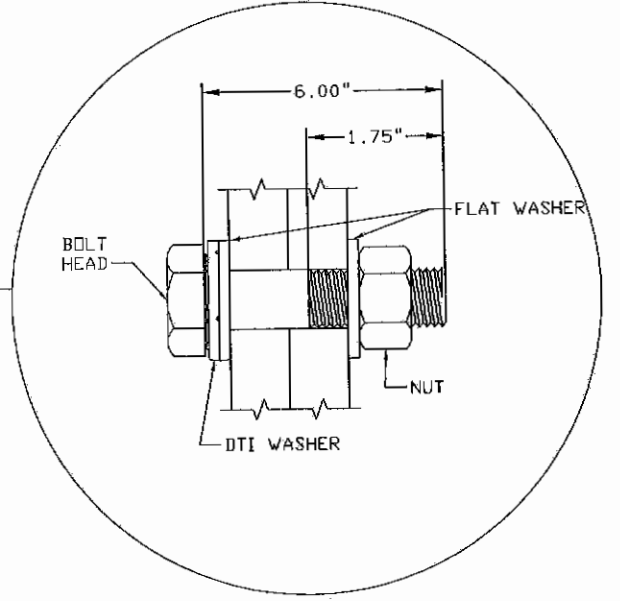
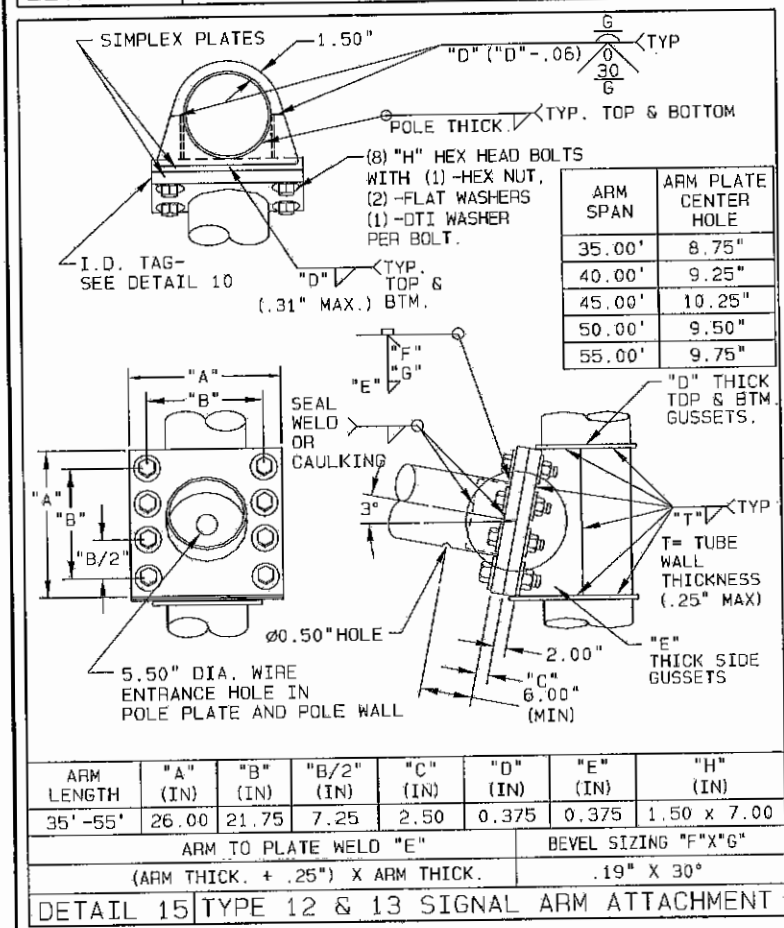
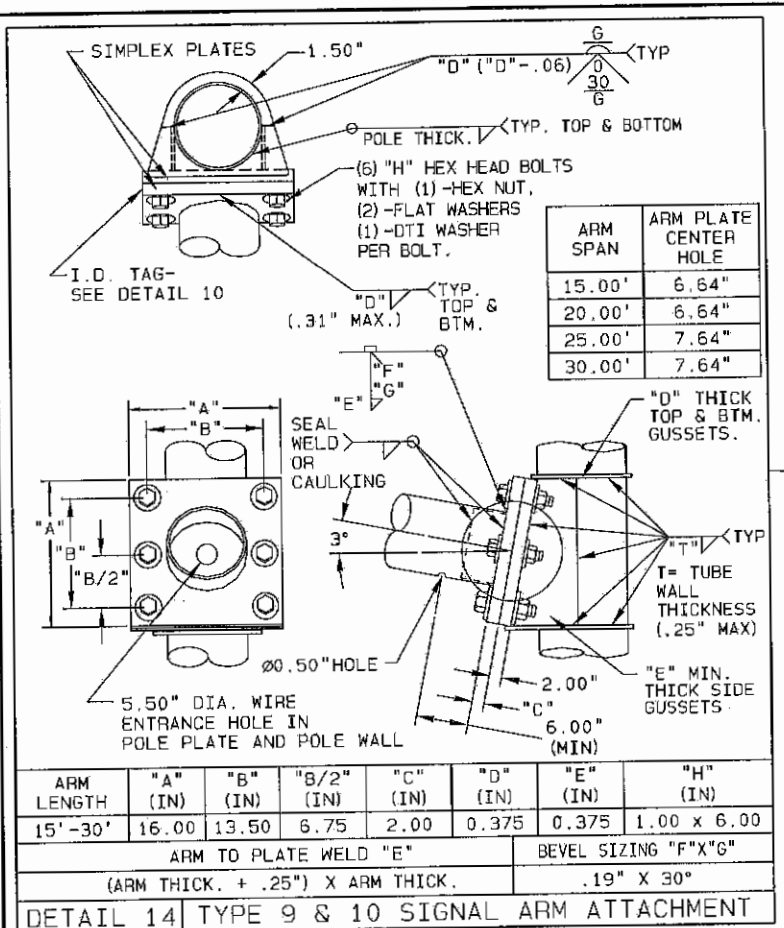
PROFESSIONAL ENGINEER
 NIZAM A QASSEM
 E-41317
 OMAHA, NE
 10-12-16



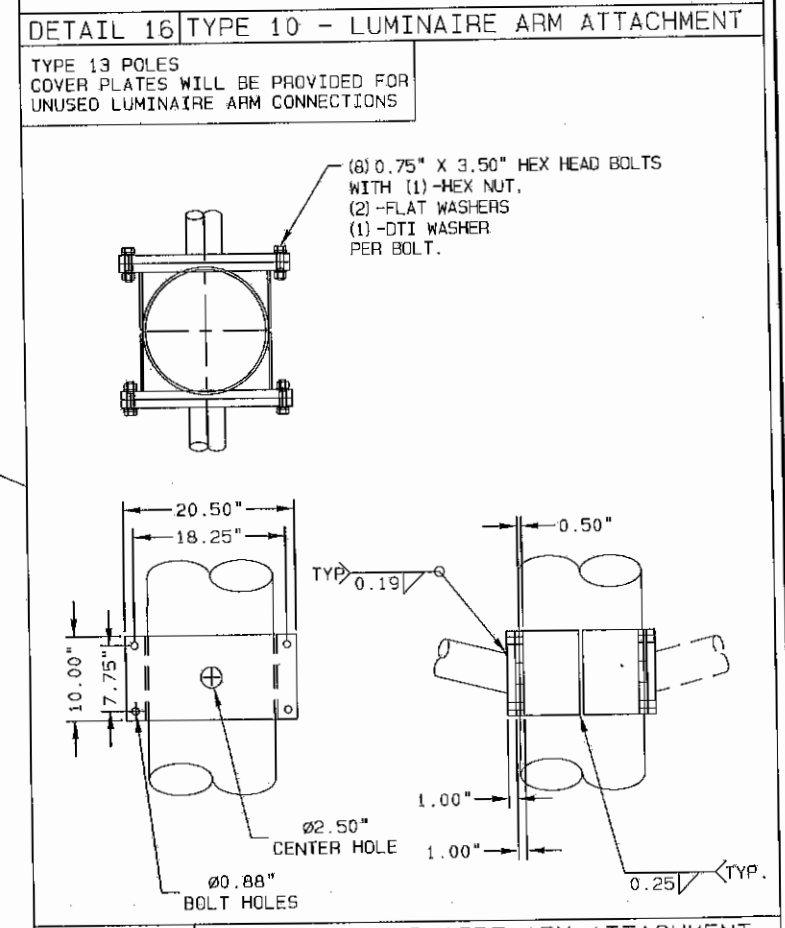
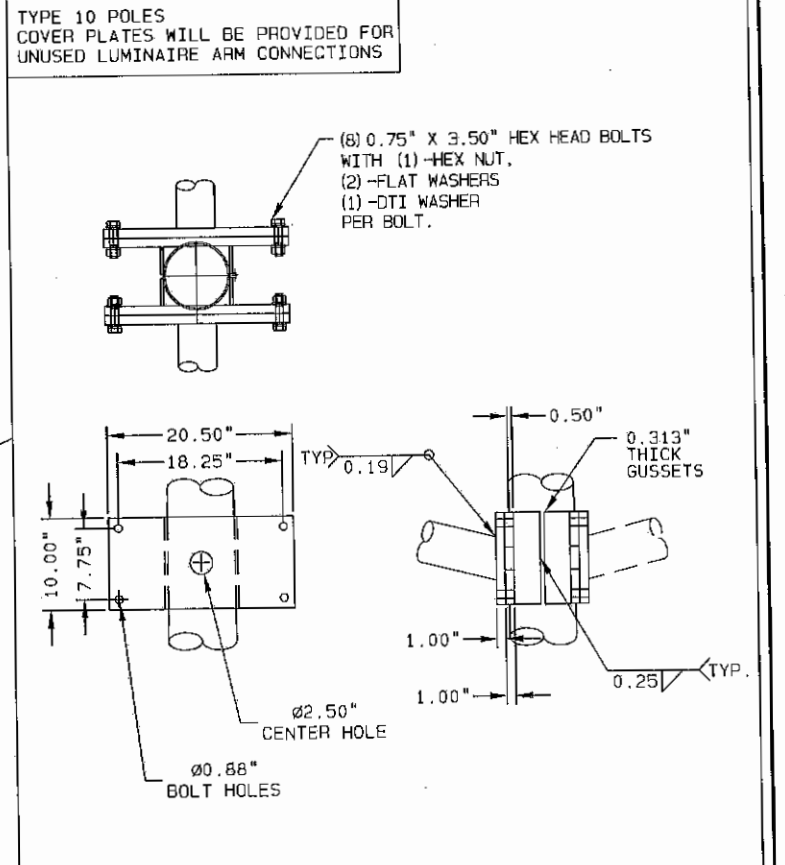
VALMONT INDUSTRIES, INC. RESERVES THE RIGHT TO INSTALL VARIOUS, ENGINEER APPROVED, MATERIAL HANGING ACCOMMODATIONS TO FACILITATE THE MANUFACTURING PROCESS.

valmont
 Valley, NE 68064
 (402) 359-2201

PAGE NUMBER: 2 OF 3
 DRAWING NUMBER: DB01072
 REV: E



RECOMMENDED BOLT ASSEMBLY



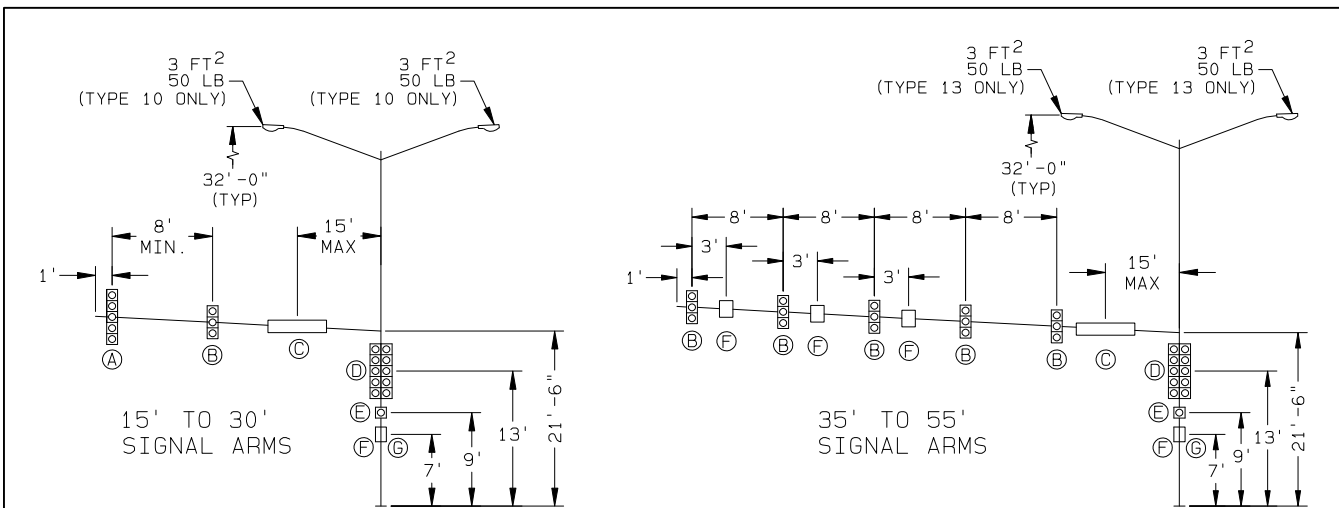
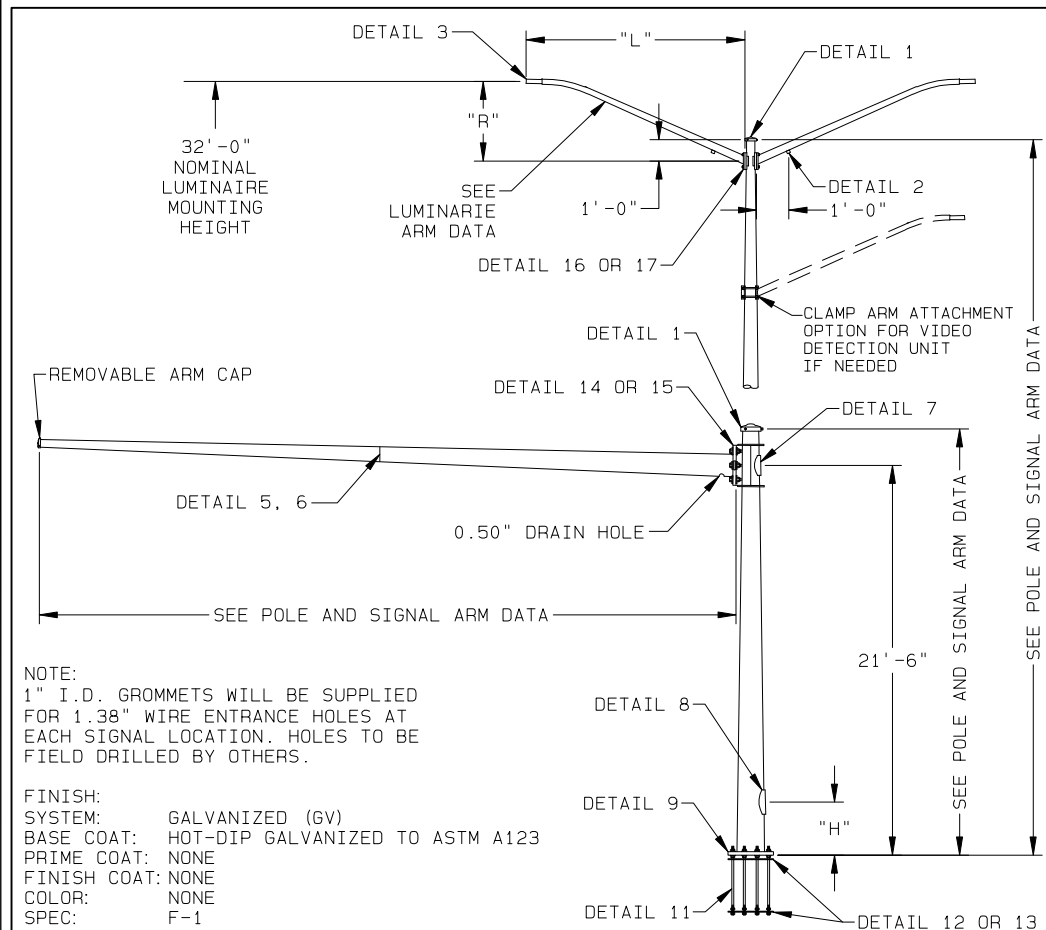
DETAIL 17 TYPE 13- LUMINAIRE ARM ATTACHMENT

TITLE WISCONSIN DEPARTMENT OF TRANSPORTATION
TYPE 9,10,12, & 13 TRAFFIC SIGNAL STRUCTURES
AASHTO 2013

VALMONT INDUSTRIES, INC. RESERVES THE RIGHT TO INSTALL VARIOUS, ENGINEER APPROVED, MATERIAL HANGING ACCOMMODATIONS TO FACILITATE THE MANUFACTURING PROCESS.

valmont
Valley, NE 68064
(402) 359-2201

PAGE NUMBER: 3 OF 3
DRAWING NUMBER: DB01072
REV: E



DEVICE	DESCRIPTION	PROJ. AREA (FT²)	WEIGHT (LBS)
(A)	12"-5 SEC. SIGNAL WITH BACKPLATES	13.33	105
(B)	12"-3 SEC. SIGNAL WITH BACKPLATES	8.67	60
(C)	18" X 108" STREET NAME SIGN	13.50	42
(D)	DUAL 12"-5 SEC. SIGNAL WITH BACKPLATES	26.66	210
(E)	POLE MOUNTED PED SIGNAL	3.23	28
(F)	24" X 30" SIGN	5	15
(G)	30" X 30" FOLDING STOP SIGN	6.25	19

MAXIMUM LOADING INFORMATION

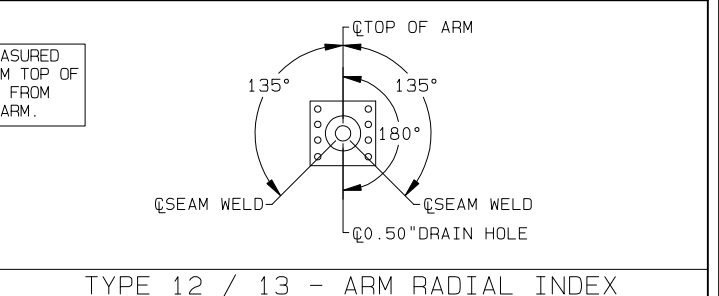
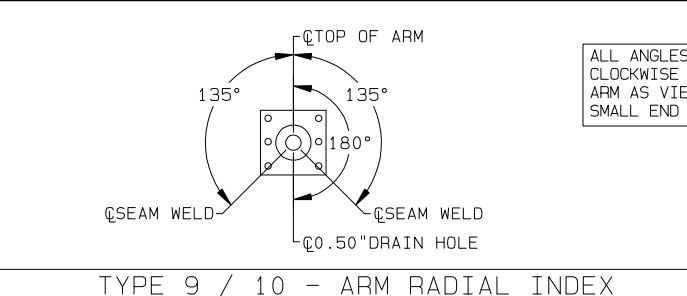
THE MAST ARM TRAFFIC STRUCTURES SHOWN ON THIS DRAWING HAVE BEEN DESIGNED IN ACCORDANCE WITH THE LOADING AND THE NOMINAL STRENGTH REQUIREMENTS OF THE 2015 AASHTO LRFD SPECIFICATIONS FOR STRUCTURAL SUPPORTS FOR HIGHWAY SIGNS, LUMINAIRES AND TRAFFIC SIGNALS, FIRST EDITION" SLTS-1. THE WIND LOADS WERE CALCULATED FROM AN ULTIMATE WIND VELOCITY OF 115 MPH WITH A MEAN RECURRENCE INTERVAL OF 700 YEARS. FATIGUE CATEGORY OF 3 USED FOR STRUCTURE TYPES 9 & 10. FATIGUE CATEGORY OF 2 USED FOR STRUCTURE TYPES 12 & 13. THE FATIGUE LOADS WERE CALCULATED ON THE REQUIREMENTS OF SECTION 11 OF THE CODE, AND THE FOLLOWING DESIGN CONDITIONS:

- STRUCTURES ARE DESIGNED TO RESIST NATURAL WIND GUSTS BASED ON THE YEARLY MEAN WIND VELOCITY OF 11.2 MPH.
- STRUCTURES ARE DESIGNED TO RESIST GALLOPING-INDUCED CYCLIC LOADS.
- STRUCTURES ARE DESIGNED FOR TRUCK-INDUCED GUST LOADS, AS REQUIRED BY THE OWNER OF THE STRUCTURES.

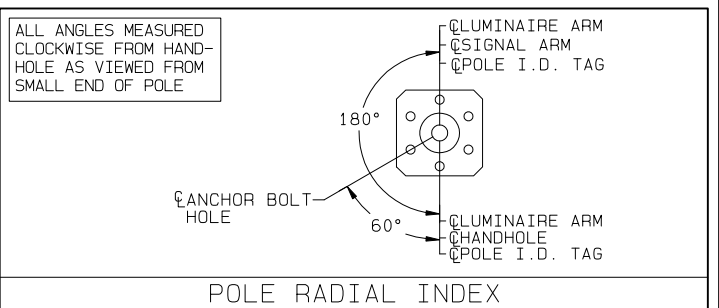
MATERIAL DATA					
COMPONENT	ASTM DESIGNATION	MIN. YIELD (KSI)	COMPONENT	ASTM DESIGNATION	MIN. YIELD (KSI)
TAPERED TUBES	A595 GR. A OR A572	55	LUMINAIRE ARM ATTACH.	A36	36
POLE BASE	A572 GR.50	50	LUM. ARM CONN. BOLTS	A325*	36
SIGNAL ARM ATTACHMENT	A36	36	ANCHOR BOLTS W/ SUPPLEMENTARY SPEC S4	F1554 GR.55	55
SIGNAL ARM CONN. BOLTS	A325*		ANCHOR BOLT TEMPLATE	A36	36
GALVANIZING STRUCTURE	A123				
GALVANIZING HARDWARE	HOT DIP ZINC				

* LUBRICATE IN THE FIELD IF NECESSARY

LUMINAIRE ARM DATA				
ARM SPAN "L" (FT)	FIXED END DIA. (IN)	FREE END DIA. (IN)	GAUGE	RISE "R" (FT)
6.00	3.39	2.40	11	3.00
8.00	3.63	2.40	11	3.00
10.00	3.88	2.40	11	3.00
12.00	4.16	2.40	11	3.00
15.00	4.56	2.40	11	3.00



STRUCTURE TYPE	POLE TUBE			POLE BASE				ANCHOR BOLT DATA						SIGNAL ARM TUBE				
	BASE DIA. (IN)	TOP DIA. (IN)	LENGTH (FT)	GAUGE OR THK. (IN)	SQUARE "S" (IN)	BOLT CIRCLE "Y" (IN)	THK. "M" (IN)	CENTER HOLE "P" (IN)	BOLT HOLE "Z" (IN)	DIA. "K" (IN)	LENGTH "J" (IN)	THREAD LENGTH "U1" (IN)	THREAD LENGTH "U2" (IN)	ANCHOR BOLT QTY.	FIXED END DIA. (IN)	FREE END DIA. (IN)	GAUGE OR THICK (IN)	SPAN (FT)
TYPE 9 OVERHEIGHT	11.50	8.21	23.50	7	19.00	15.00	2.00	10.14	1.75	1.50	52.00	10.00	5.50	6	8.00	5.90	7	15.00
															8.00	5.20	7	20.00
															9.00	5.50	7	25.00
															9.00	4.80	7	30.00
TYPE 10 OVERHEIGHT	11.50	7.30	30.00	5	19.00	15.00	2.00	10.14	1.75	1.50	52.00	10.00	5.50	6	8.00	5.90	7	15.00
															8.00	5.20	7	20.00
															9.00	5.50	7	25.00
															9.00	4.80	7	30.00
TYPE 12 OVERHEIGHT	19.20	15.91	23.50	0.313	29.00	24.00	2.00	12.00	2.00	1.75	86.00	11.00	5.50	6	14.50	9.60	0.250	35.00
															15.50	9.90	0.250	40.00
															17.00	10.70	0.250	45.00
															16.00	9.38	DET.5	50.00
TYPE 13 OVERHEIGHT	19.20	15.00	30.00	0.313	29.00	24.00	2.00	12.00	2.00	1.75	86.00	11.00	5.50	6	14.50	9.60	0.250	35.00
															15.50	9.90	0.250	40.00
															17.00	10.70	0.250	45.00
															16.00	9.38	DET.5	50.00



REV	DRAWN BY-DATE	CHECK BY-DATE	DESCRIPTION
A	NKL 02/13/24	NKL 02/13/24	UPDATED DESIGN NOTE
	NKL 11/07/19	NKL 11/07/19	

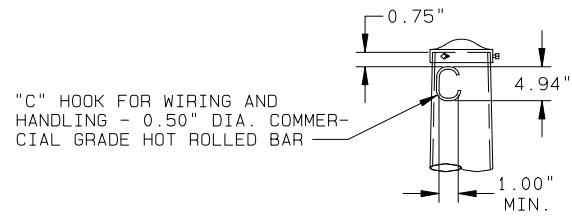
TITLE WISCONSIN DEPARTMENT OF TRANSPORTATION
TYPES 9,10,12, & 13 OH TRAFFIC SIGNAL STRUCTURES
AASHTO 2015

VALMONT INDUSTRIES, INC. RESERVES THE RIGHT TO INSTALL VARIOUS, ENGINEER APPROVED, MATERIAL HANGING ACCOMMODATIONS TO FACILITATE THE MANUFACTURING PROCESS.

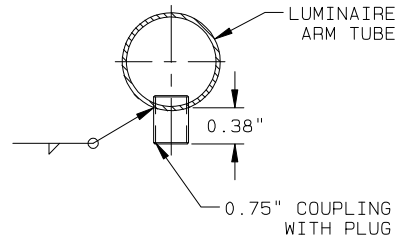


valmont
Valley, NE 68064
(402) 359-2201

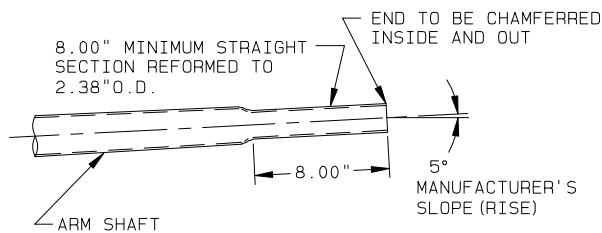
PAGE NUMBER: 1 OF 3	REV
DRAWING NUMBER	DB01319
	A



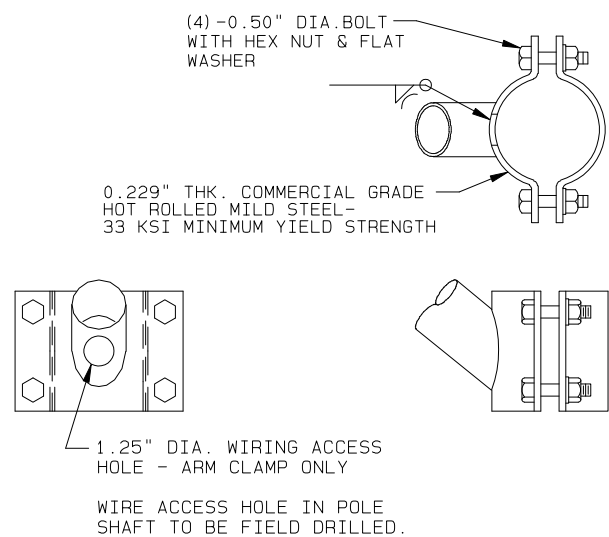
DETAIL 1 POLE TOP



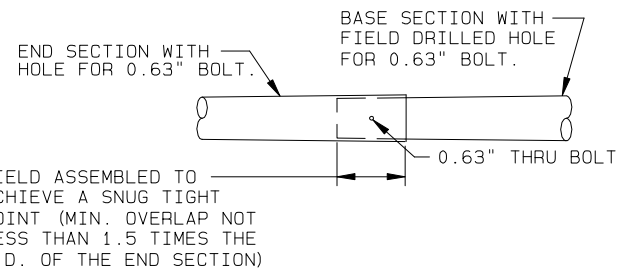
DETAIL 2 LUMINAIRE ARM COUPLING



DETAIL 3 LUMINAIRE ARM END REFORMED

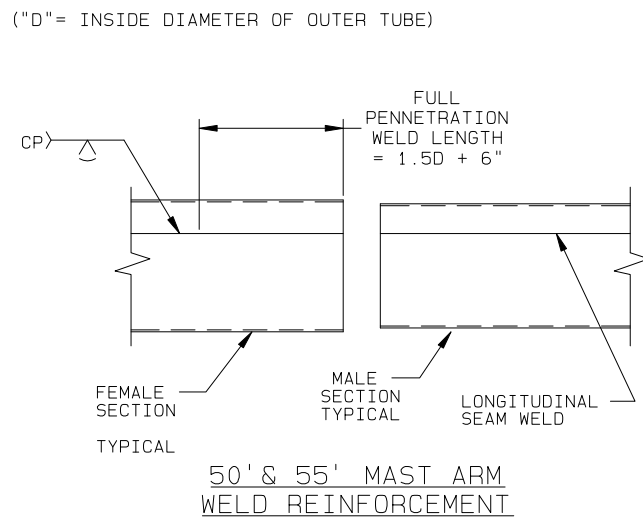


DETAIL 4 LUMINAIRE ARM ATTACHMENT (OPTIONAL)

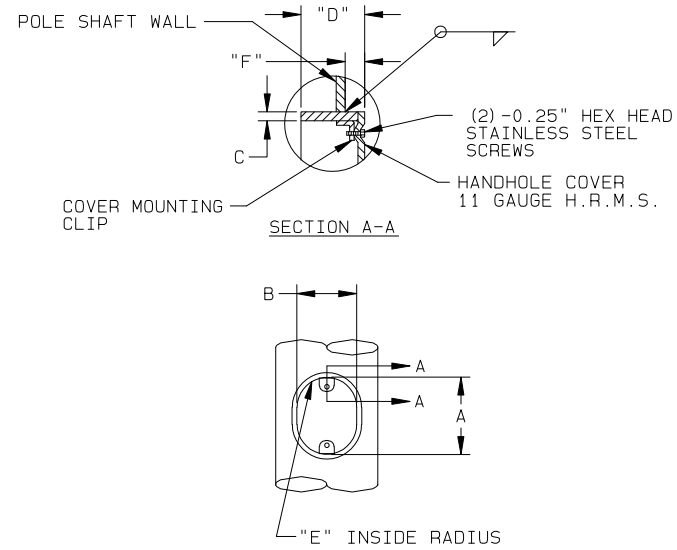


SPAN	BASE SECTION		END SECTION		
	LENGTH	WALL	BASE OD	LENGTH	WALL
50.00'	15.00'	0.500"	14.68"	37.90'	0.188"
55.00'	15.00'	0.500"	14.94"	42.93'	0.188"

DETAIL 5 SIGNAL ARM SLIP JOINT

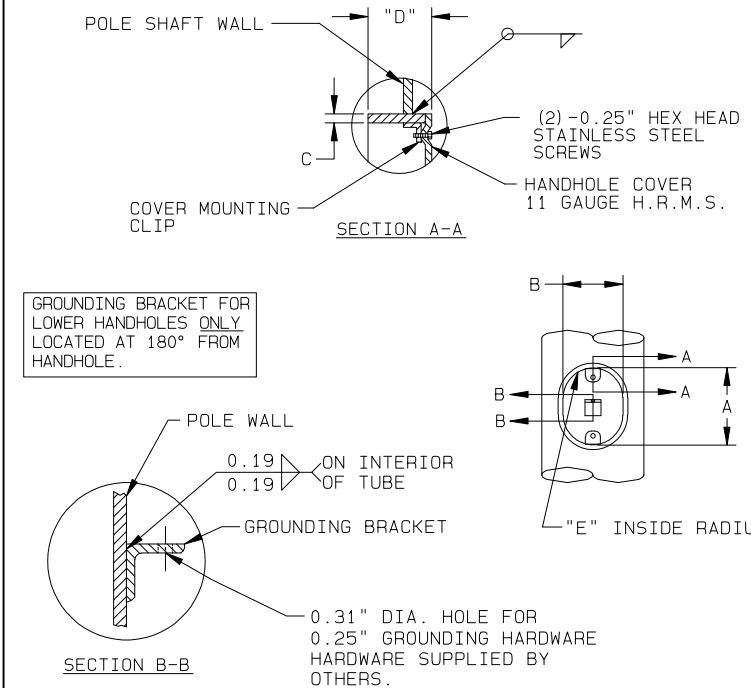


DETAIL 6 MAST ARM WELD REINFORCEMENT



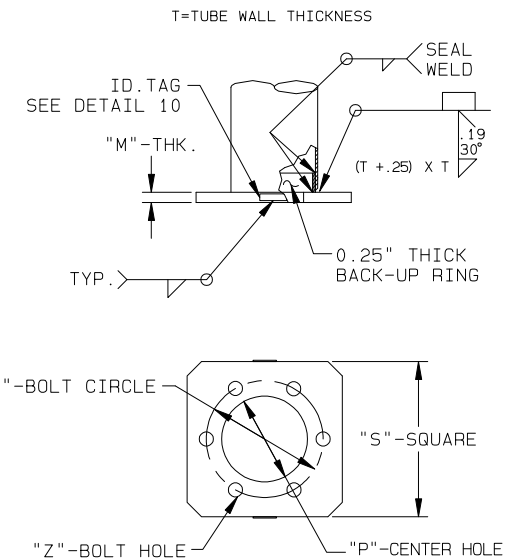
POLE TYPE	"A" I.D. (IN)	"B" I.D. (IN)	"C" THK (IN)	"D" DEPTH (IN)	"E" RADIUS (IN)	"F" PROJ. (FT)
9 OH	5.50	3.50	0.375	2.00	1.50	0.50
10 OH	5.50	3.50	0.375	2.00	1.50	0.50
12 OH	6.56	4.50	0.500	2.00	2.00	0.50
13 OH	6.56	4.50	0.500	2.00	2.00	0.50

DETAIL 7 UPPER HANDHOLE

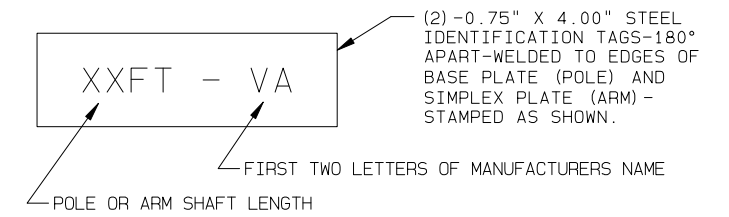


POLE TYPE	"A" I.D. (IN)	"B" I.D. (IN)	"C" THK (IN)	"D" DEPTH (IN)	"E" RADIUS (IN)	"F" PROJ. (IN)	"H" MTG. HEIGHT (FT)
9 OH	12.00	4.50	0.500	3.00	2.00	0.50	1.50
10 OH	12.00	4.50	0.500	3.00	2.00	0.50	1.50
12 OH	14.00	7.50	0.875	3.25	3.00	0.50	2.23
13 OH	14.00	7.50	0.875	3.25	3.00	0.50	2.23

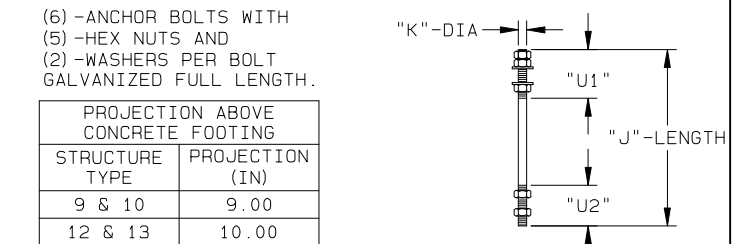
DETAIL 8 LOWER HANDHOLE



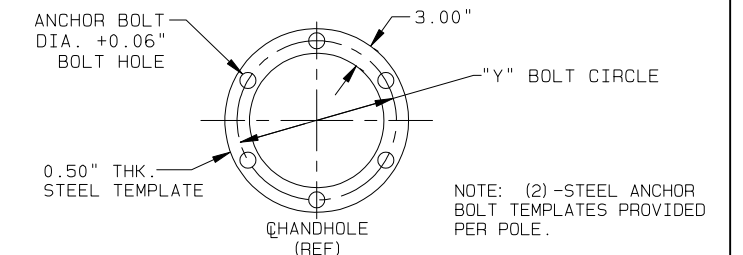
DETAIL 9 POLE BASE



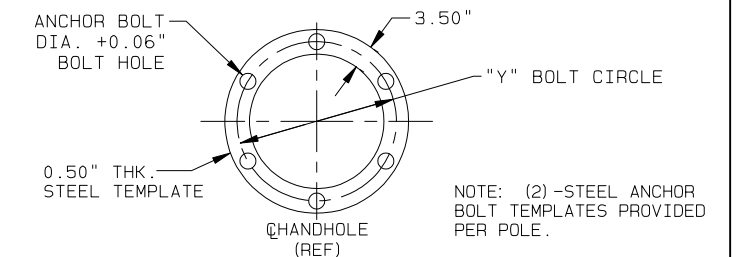
DETAIL 10 IDENTIFICATION TAG



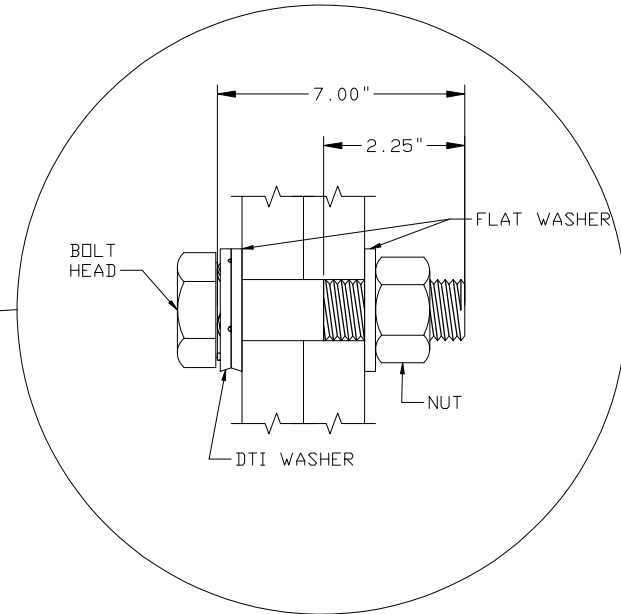
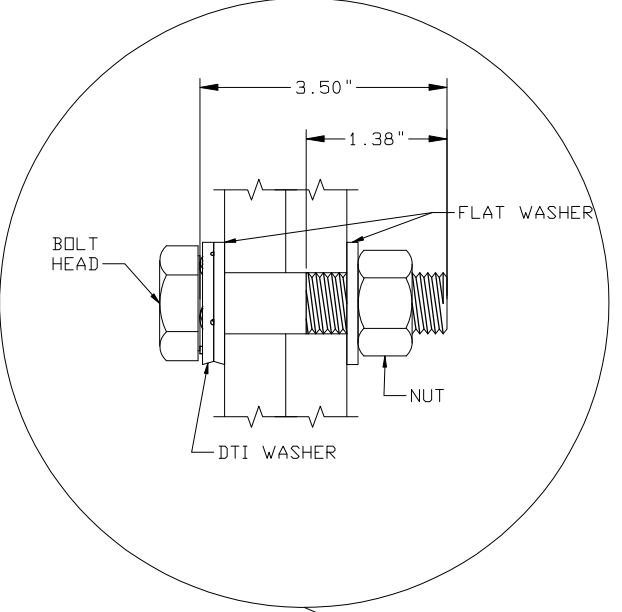
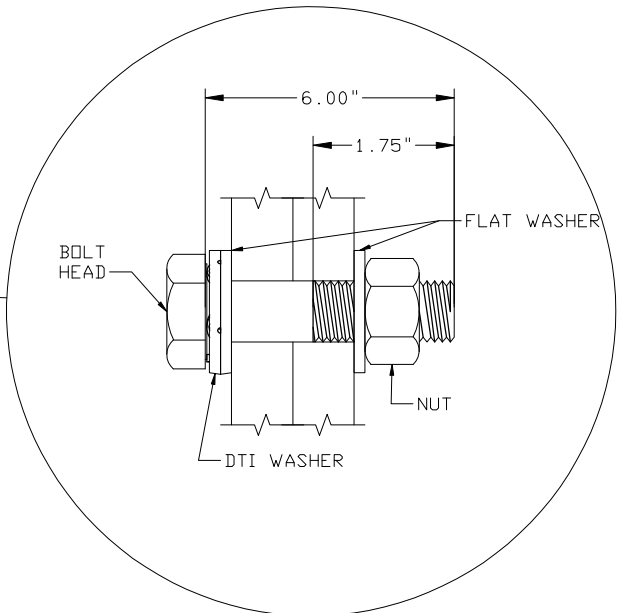
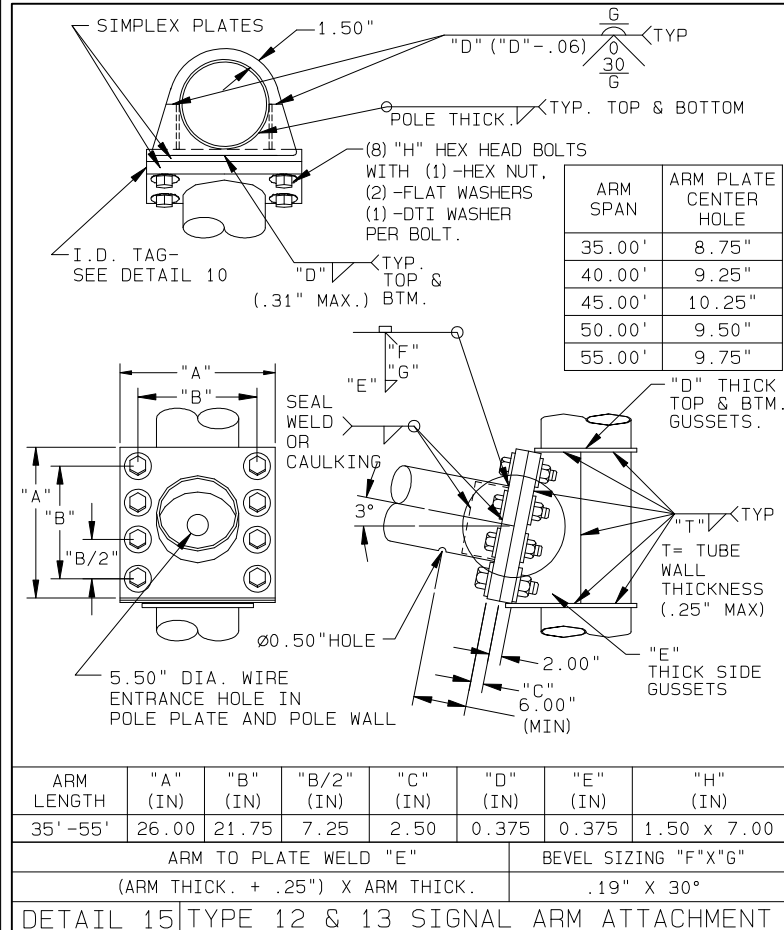
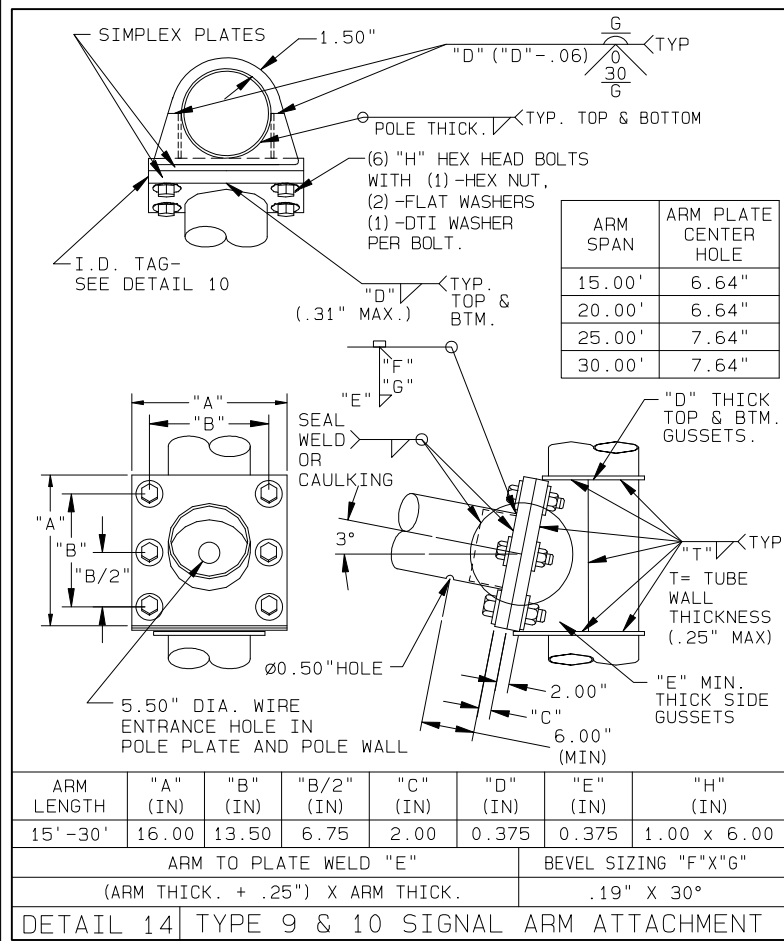
DETAIL 11 ANCHOR BOLT



DETAIL 12 TYPE 9/10 - ANCHOR BOLT TEMPLATE



DETAIL 13 TYPE 12/13 - ANCHOR BOLT TEMPLATE



RECOMMENDED BOLT ASSEMBLY

