

◇ ————— SCHEDULE ————— ◇

CATALOG #	QTY	A	B	C	D	E	F
FPFLS84535CD-DC-YD-WSDOT-TYPE 6		8"	4 1/2"	.219"	35'	11" THRU 12"	12"

REFERENCE: WSDOT - TYPE 6 ALUMINUM POLE

**"SPUN TAPERED ALUMINUM LIGHTING STANDARD"**

CAST ALUMINUM POLE CAP WITH STAINLESS STEEL HARDWARE

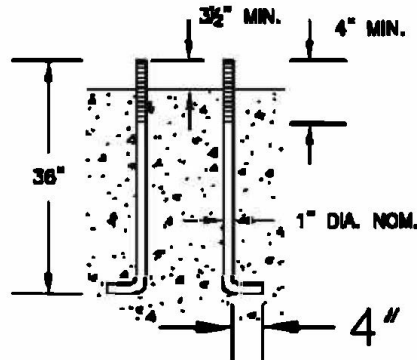
1 3/8" DIA. WIRE ACCESS HOLE (FIELD DRILLED) W/ RUBBER GROMMET

"B" TOP DIA.

3/4" HOOK WELDED INSIDE POLE SHAFT

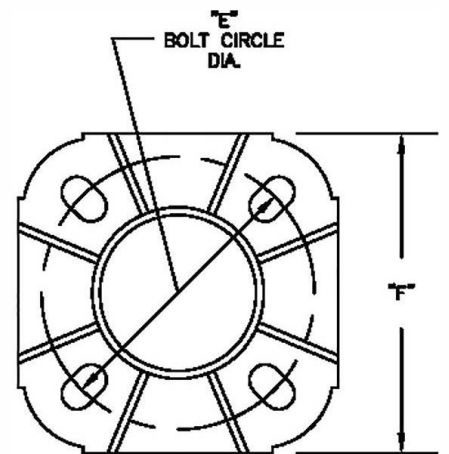
SPUN TAPERED ALUMINUM SHAFT ALLOY 6083-T8  
 "A" BOTTOM DIA., "B" TOP DIA., "C" WALL TH'K.  
 "D" OVERALL LENGTH, MECH. ROTARY SANDED 60 GRIT

INTERNAL (FACTORY INSTALLED) VIBRATION DAMPENER LOCATED 80% OF SHAFT LENGTH



**ANCHOR BOLT DETAIL (4 REQ'D.)**

ANCHOR BOLTS: 1" DIA. x 36" LONG  
 WITH 4" HOOK, 4" THREAD  
 PER ASTM F1554 GRADE 55, TOP 10" (MIN.) GALVANIZED  
 PER ASTM A153 WITH ALL NUTS, FLATWASHERS  
 AND LOCKWASHERS.



**CAST ALUMINUM SHOEBASE**

ALLOY 355-T6  
 WITH 4 CAST ALUMINUM BOLT COVERS  
 WITH ST. STL. ATTACHMENT SCREWS  
 STAMP ".185" PER SPECIFICATIONS

4" x 6" NOMINAL, REINFORCED, FLUSH HANDHOLE  
 WITH COVER, (USE 1/4"-20NC ST. STL. HEX CAP SCREWS)  
 AND 1/4"-20NC GROUND PROVISION OPPOSITE HANDHOLE.


**NOTE:** HANDHOLE SHALL FACE AWAY FROM TRAFFIC

16" "A" BOTTOM DIA.

**WSDOT "TYPE 6" POLE**  
 (WITH INTERNAL VIBRATION DAMPER)


CAST ALUMINUM SHOEBASE WITH CIRCUMFERENTIAL WELDS BOTH INSIDE AND OUT

REVISIONS		
NO.	DATE	BY
1		
2		
3		
4		
5		



ALUMINUM LIGHT STANDARDS  
TUBULAR METAL PRODUCTS

95 GNARLED HOLLOW RD.  
EAST SETAUKET, N.Y.  
11733



TUBULAR PRODUCTS, INC.

PROJECT: WSDOT TYPE 6 w/MBD      DIST: \_\_\_\_\_

CONTRACTOR: \_\_\_\_\_      AGENT: JIM HERRI

DRAWN BY: SAF	DATE: 10/30/18	INTERNAL: AS NOTED
DRCTD: _____	APP'D: _____	DRAWING NO. <b>15327</b>
SCALE: NONE	WORK ORDER: _____	