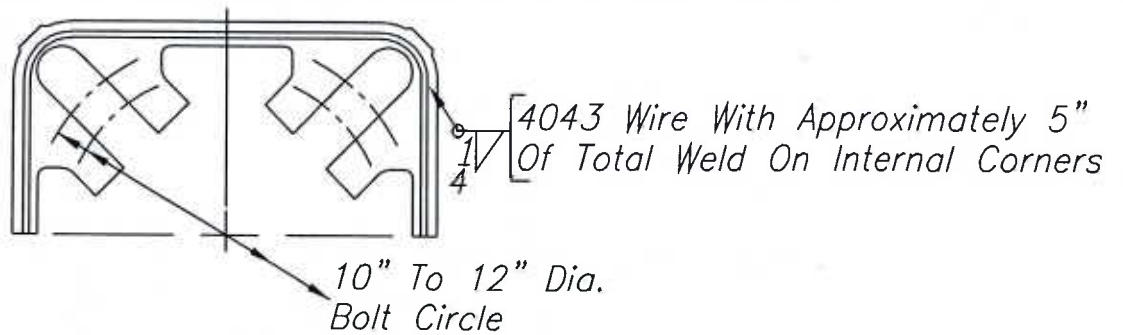
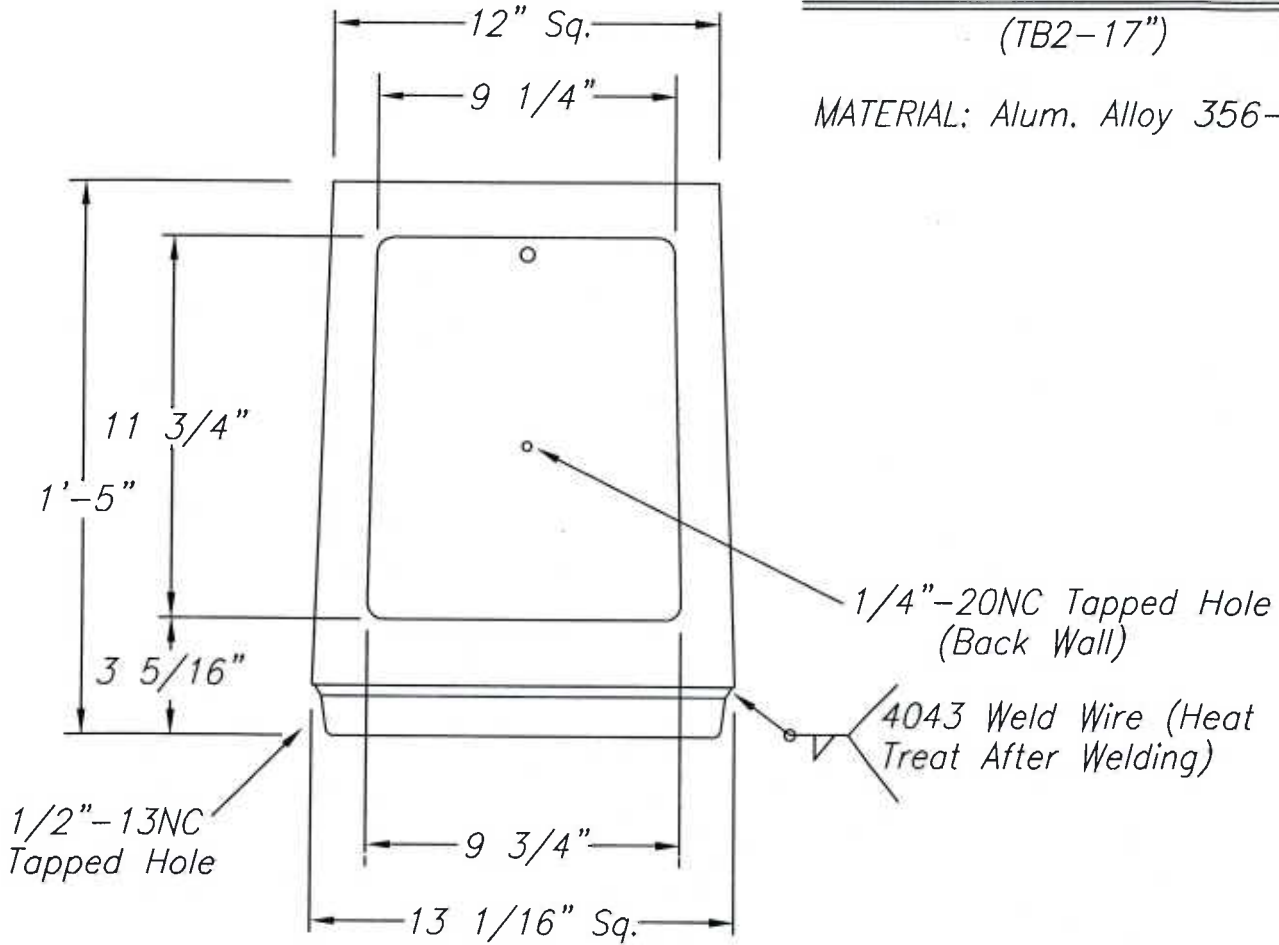


- BASE SUPPLIED WITH:
- (1) Door And 1/4"-20NC S.S. Hex. Hd. Screw
  - (2) Eight 1" Washers 1/2" Thick x 2 3/4" O.D. (Mechanical Galv. Per ASTM B454)

AKRON FOUNDRY TB2-AF 1012-17 I.W.  
(TB2-17")

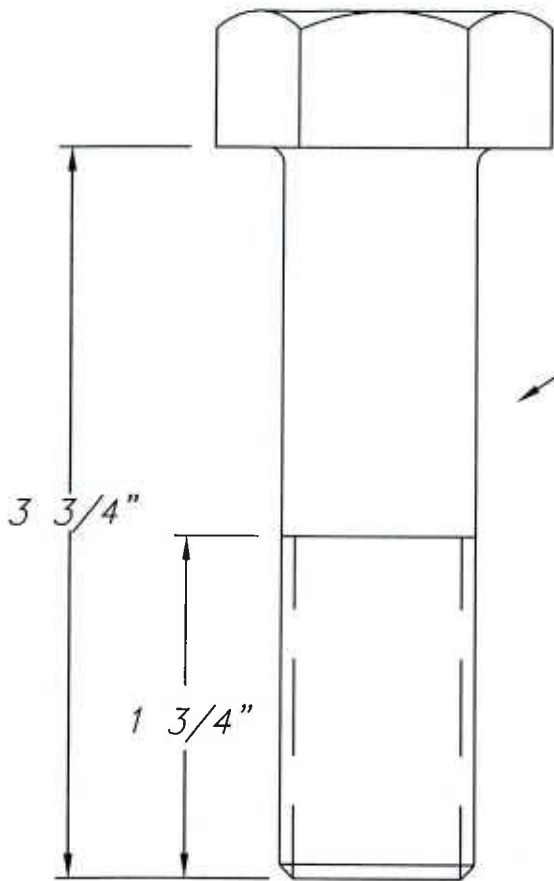
MATERIAL: Alum. Alloy 356-T6



NO.	REVISIONS	DATE
1	Was "TB1"	6-5-90
2	TB2-17" Added	10-9-90
3	Redrawn L.W.	10-9-91

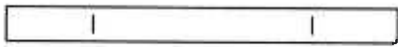
**hapco**  
Abingdon, Va.

TITLE BREAKAWAY TRANSFORMER BASE	
CUSTOMER	
SCALE 6	DATE 3/23/90
BY LW	DWG. NO.
CHK'D	A70511

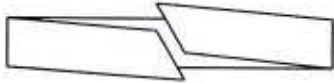


(4) 1"-8NC-2A Heavy Hex. Hd. Steel Bolt Per ASTM A325 Type 1 And Galv. Per ASTM A153 , Class C (57234)

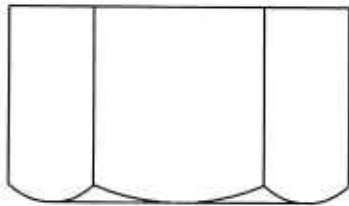
(4) 1" Hardened Steel Flatwasher, 2" O.D., Per ASTM F436, Type 1, Galv. Per ASTM B695, Class 55.



(4) 1" Steel Lockwasher, Galv. Per ASTM A153, Class C Or ASTM B695, Class 55 (40447)



(4) 1"-8NC Heavy Hex. Nut Per ASTM A563 Grade DH And Galv. Per ASTM A153, Class C (40449)



NO.	REVISIONS	DATE
1	Galv. Class & Spec. Rev.	3/03
2	FW Class Was 50; Added Galv Type	3/03

**hapco**  
Abingdon, Va.

TITLE 1" CONNECTING HARDWARE	
CUSTOMER	
SCALE 1	DATE 04/07/1993
BY PS	DWG. NO.
CHK'D	A73154