



PH: 405-340-3434
 FAX: 405-340-3435
 Edmond, OK 73013
 www.pelcoinc.com

This drawing is the property of Pelco and is not to be used in whole or in part without Pelco's written permission.

ASSEMBLY SHEET

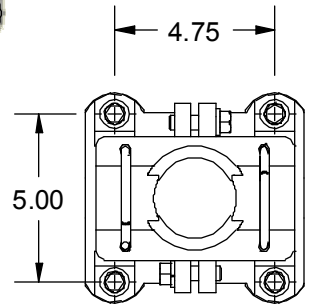
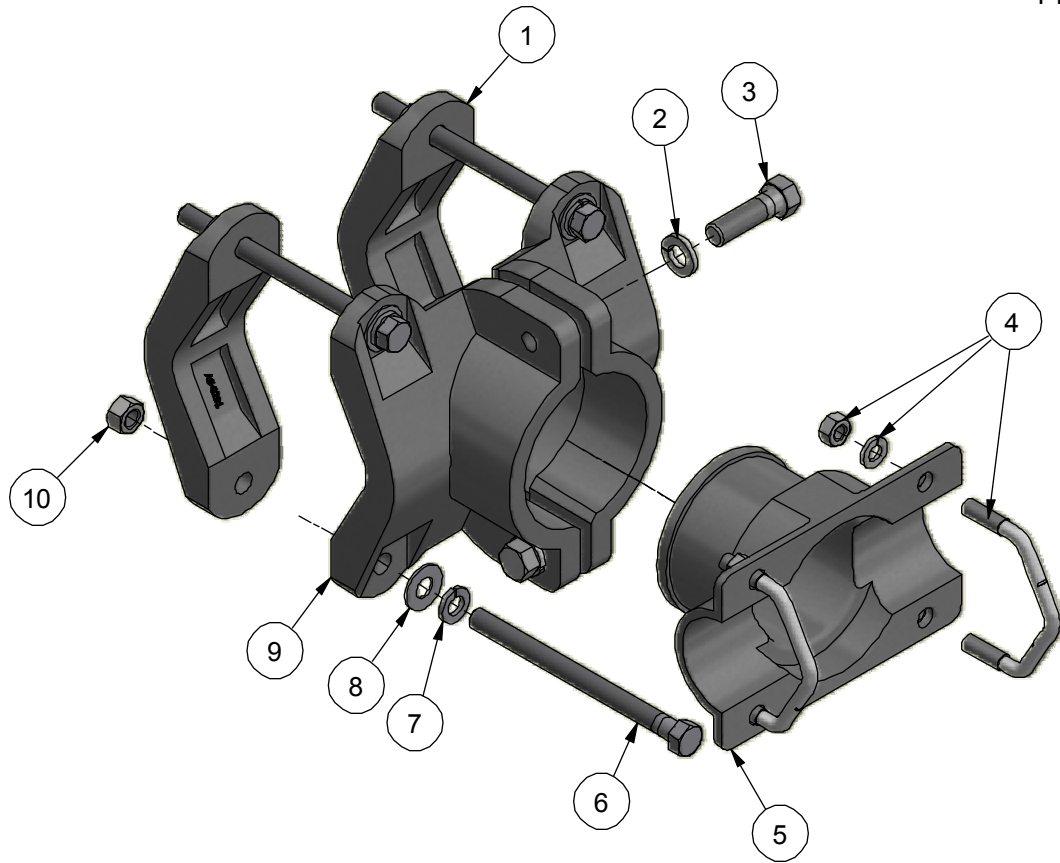
REF:

TITLE:
Astro-Brac Stellar Clamp Kit, Tenon Mount, fits 1.9" to 4.5" OD, Alum

PART NO.:
AS-3010

PART NO
 AS-3010-PXX

Process No Color=PNC
 Paint=PXX



Hole CTC Dimensions

OPTIONS
 Paint

ITEM	PART NUMBER	DESCRIPTION	QTY
1	AS-0291-M1	Clamp Back, Astro-Brac, Tenon Mount, Alum	2
2	FS-4213-SS	Lock Washer, Split, 7/16", Type 304 Stainless	2
3	FS-2125-SS	Bolt, Hex Hd, 7/16"-14 x 1-1/2", Type 304 Stainless	2
4	AB-0256-SS	Kit, V-Bolt, 5/16"-18, Stainless	1
5	AS-0347-M1	Clamp, Male Stellar Astro-Brac, Alum	1
6	FS-2077-SS	Bolt, Hex Hd Tap, 3/8"-16 x 5", Type 304 Stainless	4
7	FS-4205-SS	Lock Washer, Split, 3/8", Type 304 Stainless	4
8	FS-4100-SS	Washer, Flat, 3/8", .406 ID X .875" OD x .050" Thk, Type 304 Stainless	4
9	AS-0290-M1	Clamp, Female Stellar Astro-Brac, Tenon Mount, Alum	2
10	FS-1003-SS	Nut, Hex 3/8"-16, Type 304 Stainless	4
11	Z-2062	Instructions, Stellar & Atlas Tenon Clamp Kit	1
12	Z-2043	Instructions, Stainless Steel Hardware Tips & Instructions	1
13	B-2041	Bag, Clamp Kit .004 x 14" x 14" Poly, 2 Color, 1 Side	1

Pelco Assy.dwg 1/25/17

SPECIFICATION

Stellar Clamp Kit, Tenon Mount

DESIGN:

Application: The Stellar Articulating Tenon Mount Clamp Kit is designed to attach signs, cameras, sensors and signals tenons and pipe and tubing ranging from 1.9" to 4.5".

Adjustability: The clamp kit can rotate 360 degrees in 2 axes as shown in (Figure 1). An integral shoulder on the male clamp prevents separation from the female clamp while rotating. Additional adjustability for position of the assembly is provided by the v-bolts in the male clamp half.

Attachment: The clamps attach the clamp kit to any supporting structure between 1.9" and 4.5" in diameter without any special tools or equipment (wood poles are not recommended as a support structure). The v-bolts in the male saddle attach any 1-7/8" diameter pipe/tube that further supports the assembly.

Wiring: The Stellar Tenon Clamp Kit will accommodate (3) 1/2" cables which are concealed by running the conductors through the unobstructed center openings.

Hardware: Each assembly is supplied complete with all bolts, nuts, and washers to allow installation of the clamp kit.

MATERIAL:

Cast aluminum alloys have minimum yield strength of 22 KSI.

Hardware stainless alloys have minimum yield strength of 30 KSI.

All castings are free from casting defects, blemishes, and excessive foundry grinding marks.

CAPACITY:

When properly installed the Stellar Tenon Mount Clamp Kit will perform as follows:

The male to female connection has a minimum rotating moment of 400 ft-lb.

The clamp kit attached to a 2.875" diameter supporting structure has a minimum rotational moment of 600 ft-lb.

INSTRUCTIONS:

Installation instruction Pelco Bulletin 2062 Stellar & Atlas Tenon Mount is included, identifying proper installation and specific torque values.

FINISH:

Aluminum surfaces are treated to resist atmospheric corrosion per Pelco Specification 3112 Trivalent Chromate Conversion Coating.

Powder coating is available per Pelco Specification 3099 Standard Powder Coat Finish.

OPTIONS: (may be specified)

1. Technical information and prints are available for application engineering on the intended use.
2. Material certifications are available (if requested before manufactured).

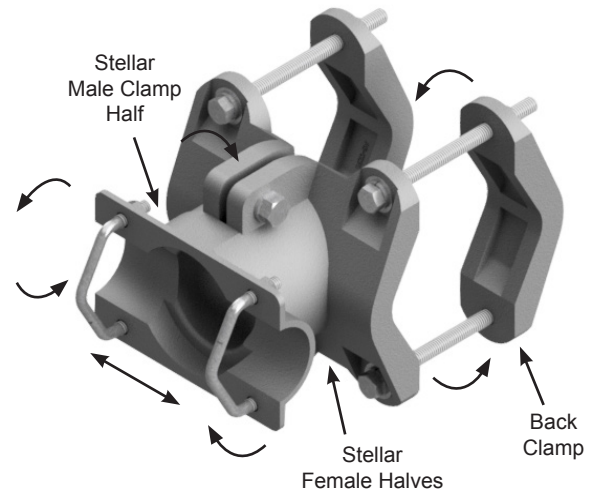


Figure 1