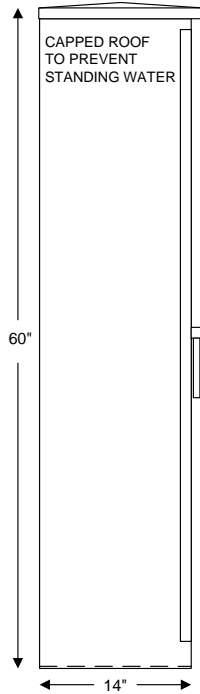
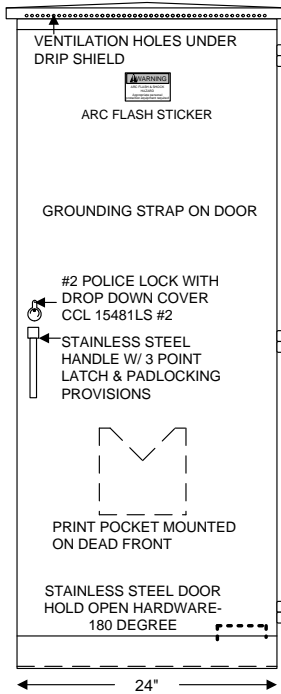


WISDOT 120/240 LIGHTING CABINET

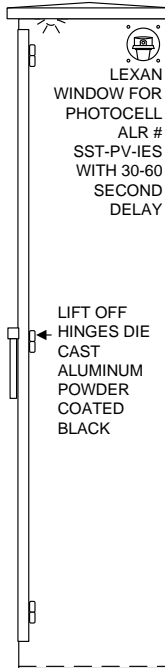
LEFT SIDE VIEW



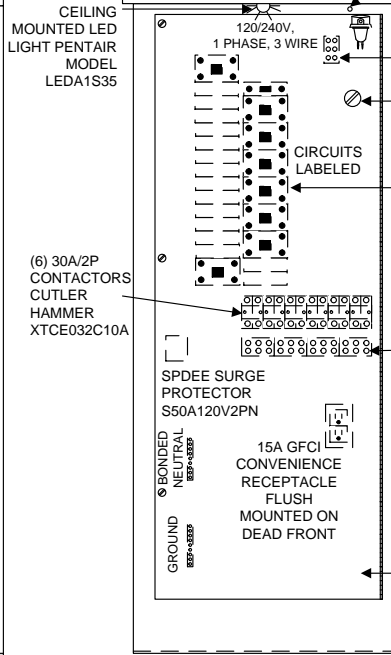
FRONT VIEW



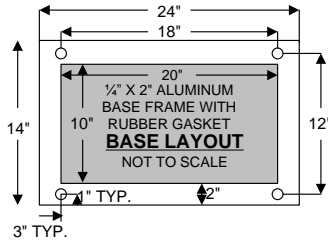
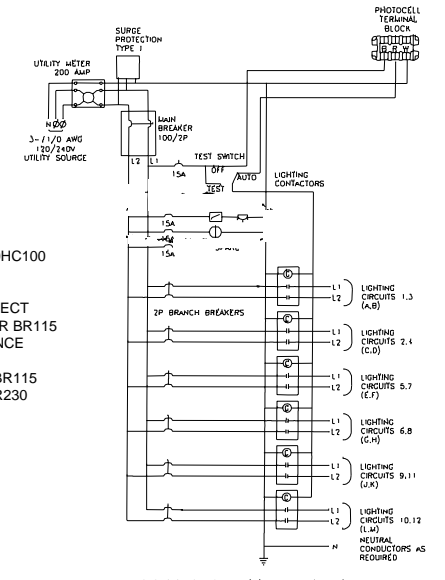
RIGHT SIDE VIEW



INTERIOR COMPONENTS



- PHOTOCELL TERMINAL BLOCK
- HAND OFF AUTO SWITCH MOUNTED ON HINGED DEAD FRONT
- 30 CKT LOAD CENTER CUTLER HAMMER # BR3030HC100
- 22K AIC SERIES RATED COPPER BUSS
- 100A/2P SERVICE DISCONNECT
- (1) 15A/1P CONTROL POWER BR115
- (1) 15A/1P GFCI CONVENIENCE RECEPTACLE BR115
- (1) 15A/1P CABINET LIGHT BR115
- (1) 30A/2P SURGE PROT. BR230
- (6) 30A/2P LIGHTING BR230
- LIGHTING TERMINAL BLOCKS TO HANDLE 10 THRU #2 WIRE
- INTERIOR COMPONENTS MOUNTED ON BACK PANEL BEHIND HINGED DEAD FRONT WITH QUARTER TURN LATCHES



BOX CONSTRUCTION:

- NEMA3R
- 1/8" ALUMINUM 5052-H32
- ANODIZED 30MIN CLEAR
- NEOPRENE GASKETED DOORS
- STAINLESS STEEL HARDWARE (UNLESS OTHERWISE NOTED)
- ETL LISTED IN ACCORDANCE W/ UL508A

<p>Povolny Specialties</p> <p>DBE, SBE, WBE, WBENC & Wisconsin DBE CERTIFIED</p> <p>7350 COURTHOUSE BLVD. INVER GROVE HGTS., MN 55077</p>		PHONE: 651-452-7335
		FAX: 651-452-7336
SCALE: N.T.S.	APPROVED BY:	DRAWN BY: DDM
DATE:	QUANTITY: 1	REVISED:
CUSTOMER:		
PROJECT:		DRAWING NUMBER
		POVWDL24-120/240
THIS DRAWING IS THE PROPERTY OF POVOLNY SPECIALTIES, INC. PERMISSION TO USE GRANTED ONLY TO THE CONTRACTOR AND PROJECT NOTED ABOVE.		